

HOW TO ORDER CHANNEL

Example

E1000 H



Select Channel

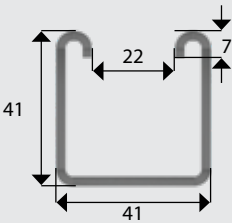
- E1000** 41x41mm/2.5mm THK
- E2000** 41x41mm/1.6mm THK, Ribbed
- E3300** 41x21mm/2.5mm THK
- E4000** 41x21mm/1.6mm THK, Ribbed
- E5500** 41x61mm/2.5mm THK

Select Finish*

- M** Mill Steel
- G** Pre-Galvanised
- H** Hot Dip Galvanised
- S** Stainless Steel
- A** Aluminium
- FRP** Fibre Reinforced Plastic

* Refer to each channel for available finishes and service guide.

E1000 CHANNEL



HEAVY DUTY

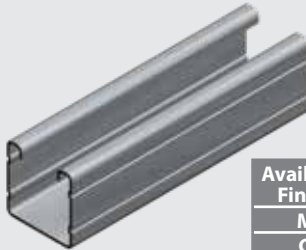
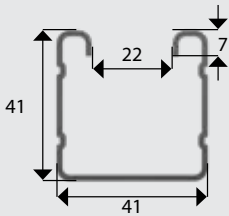
- Supplied in 6m lengths
- 41x41mm
- 2.5mm THK

Available Finish	Weight	Part Number	Service Guide
M	15.6kg/6m	E1000M	B
G	15kg/6m	E1000G	A
H	16.5kg/6m	E1000H	A
S	16kg/6m	E1000S	A
FRP*	8kg/6m	E1000FRP	B

*See page 72 for more information on FRP Channel/Strut.

MAX LOAD (kg)	1308	654	436	218	109	
SPAN (mm)	0	250	500	750	1500	3000

E2000 RIBBED CHANNEL



MEDIUM DUTY

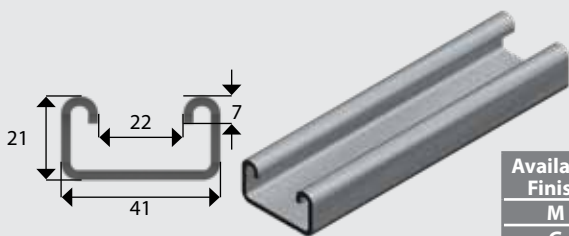
- Supplied in 6m lengths
- 41x41mm
- 1.6mm THK

Available Finish	Weight	Part Number	Service Guide
M	10.7kg/6m	E2000M	C
G	10.7kg/6m	E2000G	A
H	11.4kg/6m	E2000H	B
A	3.7kg/6m	E2000A	A

MAX LOAD (kg)	945	471	314	157	78	
SPAN (mm)	0	250	500	750	1500	3000

Service Guide Key: **A** Usually in stock at all branches **B** Usually in stock at head office
C Normal lead time **D** Made to Order (lead time on enquiry)

E3300 CHANNEL



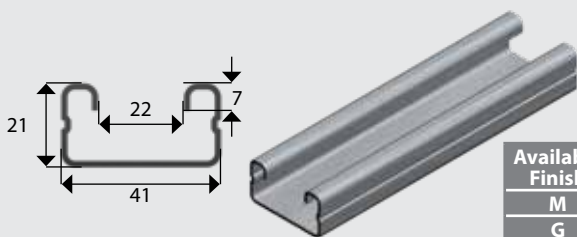
MEDIUM DUTY

- Supplied in 6m lengths
- 41x21mm
- 2.5mm THK

Available Finish	Weight	Part Number	Service Guide
M	11kg/6m	E3300M	B
G	10.7kg/6m	E3300G	A
H	11.7kg/6m	E3300H	A
S	11.8kg/6m	E3300S	A

MAX LOAD (kg)	442	221	147	73	37
SPAN (mm)	250	500	750	1500	3000

E4000 RIBBED CHANNEL



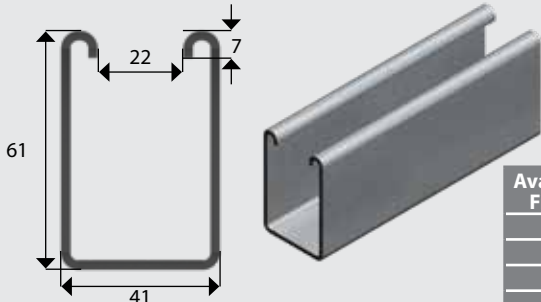
LIGHT DUTY

- Supplied in 6m lengths
- 41x21mm
- 1.6mm THK

Available Finish	Weight	Part Number	Service Guide
M	7.7kg/6m	E4000M	C
G	7.7kg/6m	E4000G	A
H	8.1kg/6m	E4000H	B
A	2.6kg/6m	E4000A	A

MAX LOAD (kg)	350	175	116	58	30
SPAN (mm)	250	500	750	1500	3000

E5500 CHANNEL



VERY HEAVY DUTY

- Supplied in 6m lengths
- 41x61mm
- 2.5mm THK

Available Finish	Weight	Part Number	Service Guide
M	20.4kg/6m	E5500M	C
G	19.7kg/6m	E5500G	A
H	21.6kg/6m	E5500H	A
S	20.6kg/6m	E5500S	C

MAX LOAD (kg)	2488	1244	830	414	207
SPAN (mm)	250	500	750	1500	3000

FASTENERS

STRUT SYSTEMS

CABLE SUPPORTS

FIRERATED

PIPE SUPPORTS

HOW TO ORDER SLOTTED CHANNEL

Example

E1000S H



Select Slotted Channel

- E1000S** 41x41 mm/2.5mm THK, Slotted
- E2000S** 41x41 mm/1.6mm THK, Slotted, Ribbed
- E3300S** 41x21 mm/2.5mm THK, Slotted
- E4000S** 41x21 mm/1.6mm THK, Slotted, Ribbed
- E5500S** 41x61 mm/2.5mm THK, Slotted

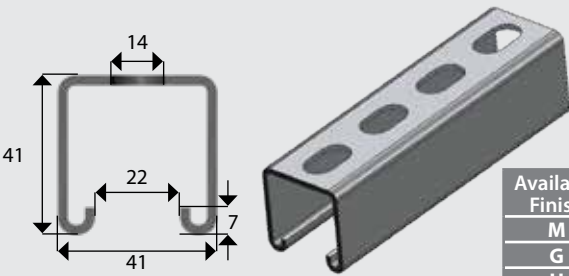
Select Finish*

- M** Mill Steel
- G** Pre-Galvanised
- H** Hot Dip Galvanised
- S** Stainless Steel
- A** Aluminium

* Refer to each channel for available finishes and service guide.

^Max Load Notes: Loading is static and should be applied as a Uniformly Distributed Load. Published values are for plain channels, based on a simply supported beam.

E1000S SLOTTED CHANNEL



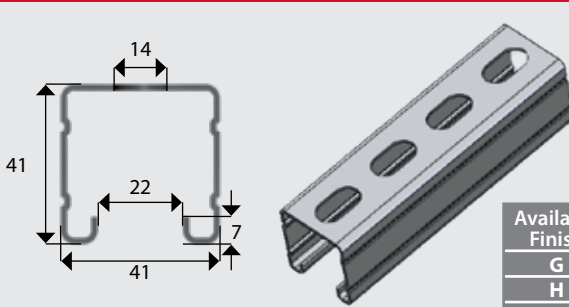
HEAVY DUTY

- Supplied in 6m lengths
- 41x41 mm, 2.5mm THK
- 25 x 14mm slots are punched continuously at 37.5mm centres.

Available Finish	Weight	Part Number	Service Guide
M	14.7kg/6m	E1000SM	C
G	14.2kg/6m	E1000SG	A
H	15.6kg/6m	E1000SH	A
S	15kg/6m	E1000SS	A



E2000S SLOTTED RIBBED CHANNEL



MEDIUM DUTY

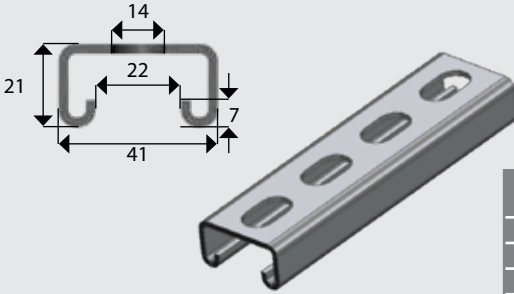
- Supplied in 6m lengths
- 41x41 mm, 1.6mm THK
- 25 x 14mm slots are punched continuously at 37.5mm centres.

Available Finish	Weight	Part Number	Service Guide
G	10.2kg/6m	E2000SG	A
H	10.8kg/6m	E2000SH	B
A	3.5kg/6m	E2000SA	C



Service Guide Key: **A** Usually in stock at all branches **B** Usually in stock at head office **C** Normal lead time **D** Made to Order (lead time on enquiry)

E3300S SLOTTED CHANNEL



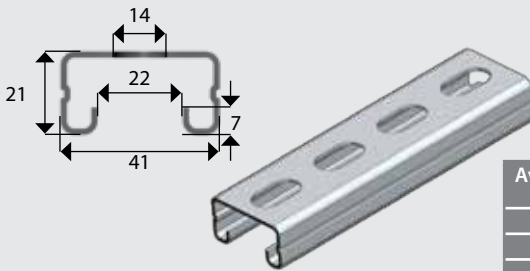
MEDIUM DUTY

- Supplied in 6m lengths
- 41x21mm, 2.5mm THK
- 25 x 14mm slots are punched continuously at 37.5m centres.

Available Finish	Weight	Part Number	Service Guide
M	10kg/6m	E3300SM	C
G	9.7kg/6m	E3300SG	A
H	10.7kg/6m	E3300SH	A
S	10.3kg/6m	E3300SS	A



E4000S SLOTTED RIBBED CHANNEL



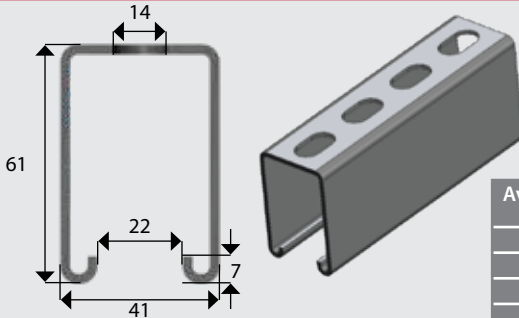
LIGHT DUTY

- Supplied in 6m lengths
- 41x21mm, 1.6mm THK
- 25 x 14mm slots are punched continuously at 37.5m centres.

Available Finish	Weight	Part Number	Service Guide
M	7.1kg/6m	E4000SM	C
G	7.1kg/6m	E4000SG	A
H	7.5kg/6m	E4000SH	B
A	2.5kg/6m	E4000SA	C



E5500S SLOTTED CHANNEL



VERY HEAVY DUTY

- Supplied in 6m lengths
- 41x61mm, 2.5mm THK
- 25 x 14mm slots are punched continuously at 37.5m centres.

Available Finish	Weight	Part Number	Service Guide
M	19.5kg/6m	E5500SM	C
G	18.8kg/6m	E5500SG	A
H	20.7kg/6m	E5500SH	A
S	20kg/6m	E5500SS	C



FASTENERS

STRUT SYSTEMS

CABLE SUPPORTS

FIRERATED

PIPE SUPPORTS

HOW TO ORDER COMBINATION CHANNEL

Example

E1001 H



Select Combination Channel

- E1001** 41x82.6mm/2.5mm THK, Combination
- E2001** 41x82.6mm/1.6mm THK, Combination, Ribbed
- E3301** 41x43.2mm/2.5mm THK, Combination
- E4001** 41x43.2mm/1.6mm THK, Combination, Ribbed
- E5501** 41x123.8mm/2.5mm THK, Combination

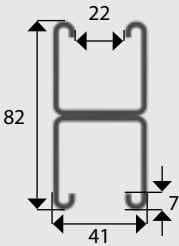
Select Finish*

- M** Mill Steel
- G** Pre-Galvanised
- H** Hot Dip Galvanised
- S** Stainless Steel
- A** Aluminium

* Refer to each channel for available finishes and service guide.

D OTHER STRUT COMBINATIONS AVAILABLE AS MADE TO ORDER.

E1001 COMBINATION CHANNEL



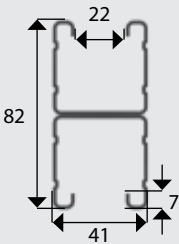
HEAVY DUTY

- Supplied in 6m lengths
- 41x82mm
- 2.5mm THK

Available Finish	Weight	Part Number	Service Guide
M	31.2kg/6m	E1001M	C
G	30.0kg/6m	E1001G	C
H	31.8kg/6m	E1001H	A
S	32.0kg/6m	E1001S	C

The channel is continuously spot welded at a maximum of 150mm centres.

E2001 COMBINATION RIBBED CHANNEL



MEDIUM DUTY

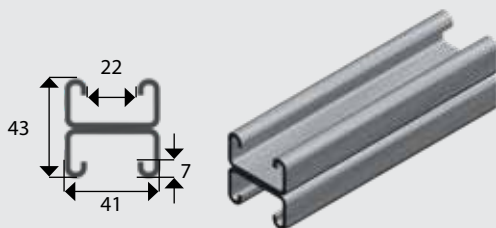
- Supplied in 6m lengths
- 41x82mm
- 1.6mm THK

Available Finish	Weight	Part Number	Service Guide
G	10.7kg/6m	E2001G	D
H	11.4kg/6m	E2001H	D
A	7.2kg/6m	E2001A	D

The channel is continuously spot welded at a maximum of 150mm centres.

Service Guide Key: **A** Usually in stock at all branches **B** Usually in stock at head office
C Normal lead time **D** Made to Order (lead time on enquiry)

E3301 COMBINATION CHANNEL



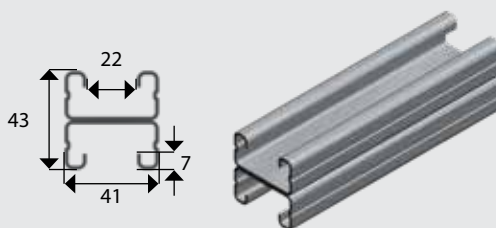
MEDIUM DUTY

- Supplied in 6m lengths
- 41x43mm
- 2.5mm THK

Available Finish	Weight	Part Number	Service Guide
M	20.2kg/6m	E3301M	D
G	19.4kg/6m	E3301G	D
H	21.4kg/6m	E3301H	C
S	20.6kg/6m	E3301S	D

The channel is continuously spot welded at a maximum of 150mm centres.

E4001 COMBINATION RIBBED CHANNEL



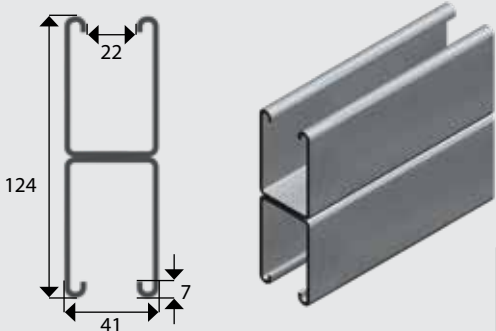
LIGHT DUTY

- Supplied in 6m lengths
- 41x43mm
- 1.6mm THK

Available Finish	Weight	Part Number	Service Guide
M	15.4kg/6m	E4001M	C
G	15.4kg/6m	E4001G	D
H	16.3kg/6m	E4001H	D
A	5.1kg/6m	E4001A	D

The channel is continuously spot welded at a maximum of 150mm centres.

E5501 COMBINATION CHANNEL



VERY HEAVY DUTY

- Supplied in 6m lengths
- 41x124mm
- 2.5mm THK

Available Finish	Weight	Part Number	Service Guide
G	39.5kg/6m	E5501G	D
H	43.2kg/6m	E5501H	C

The channel is continuously spot welded at a maximum of 150mm centres.

FASTENERS

STRUT SYSTEMS

CABLE SUPPORTS

FIRERATED

PIPE SUPPORTS

FASTENERS

E1180 END CAP

To suit 41x41mm channel/strut.

41



Available Finish	Part Number	Service Guide
P	E1180P	A

E1184 CHANNEL COVER

To suit 41mm wide channel/strut.



Available Finish	Part Number	Service Guide
P	E1184P	A
A	E1184A	A

STRUT SYSTEMS

E3380 END CAP

21

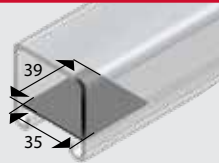


To suit 41x21mm channel/strut.

Available Finish	Part Number	Service Guide
P	E3380P	A

E2552 FIBRE RETAINER

Suitable for use in all 41mm channel sections for the support of cables prior to cover strip installation.



Available Finish	Part Number	Service Guide
P	E2552P	B

CABLE SUPPORTS

E5580 END CAP

61



To suit 41x61mm channel/strut.

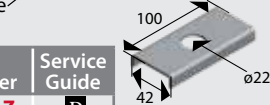
Available Finish	Part Number	Service Guide
P	E5580P	A

E2541 SPACER CLEVIS

41mm wide channel

E2541

Fluorescent Fixture



Available Finish	Part Number	Service Guide
Z	E2541Z	D

FIRERATED

HOW TO ORDER CHANNEL ACCESSORIES

Example

E1180 P



Select Channel Accessory

- E1180** 41x41mm Channel End Cap
- E3380** 41x21mm Channel End Cap
- E5580** 41x61mm Channel End Cap
- E1184** 41mm wide Channel Cover
- E2552** Fibre Retainer
- E2541** Spacer Clevis

Select Finish

- P** Plastic
- A** Aluminium*
- Z** Zinc Plated**

*E1184 only

**E2541 only

Service Guide Key: **A** Usually in stock at all branches

C Normal lead time

B Usually in stock at head office

D Made to Order (lead time on enquiry)

PIPE SUPPORTS