

1492WFB4

Allen-Bradley 1492-W Screw Connection Fuse Terminal 4mm 1
LVL 2 CON Entries 5x20mm size no IND 15A



Allen-Bradley

by ROCKWELL AUTOMATION

TERMINALS



Component type	Fuse terminal block
Range	1492J/W
Model	N/A
Product status	Existing

The Allen-Bradley 1492-J and W ranges of screw connection terminal blocks are reliable, safe and straight forward electrical connections for wiring management. With cross-sectional wire sizes from 0.5mm² to 120mm² and terminal types such as feed-through, disconnect, fused, plug-in and thermocouple. Options include single or multi-level housing and accessories for various panel space requirements.

ELECTRICAL	Rated voltage	500.0 V
	Rated current I _n	6.3 A
CONSTRUCTION	Colour	Black
	Type of fuse holder	Screwable
	Mounting method	DIN rail (top hat rail) 35 mm
MECHANICAL	Connectable conductor cross section solid-core	4 mm ²
	Connectable conductor cross section multi-wired	4 mm ²
DIMENSIONS	Width	8.0 mm
	Height	50.7 mm
	Depth	39.4 mm

1492WFB4

Allen-Bradley 1492-W Screw Connection Fuse Terminal 4mm 1
LVL 2 CON Entries 5x20mm size no IND 15A

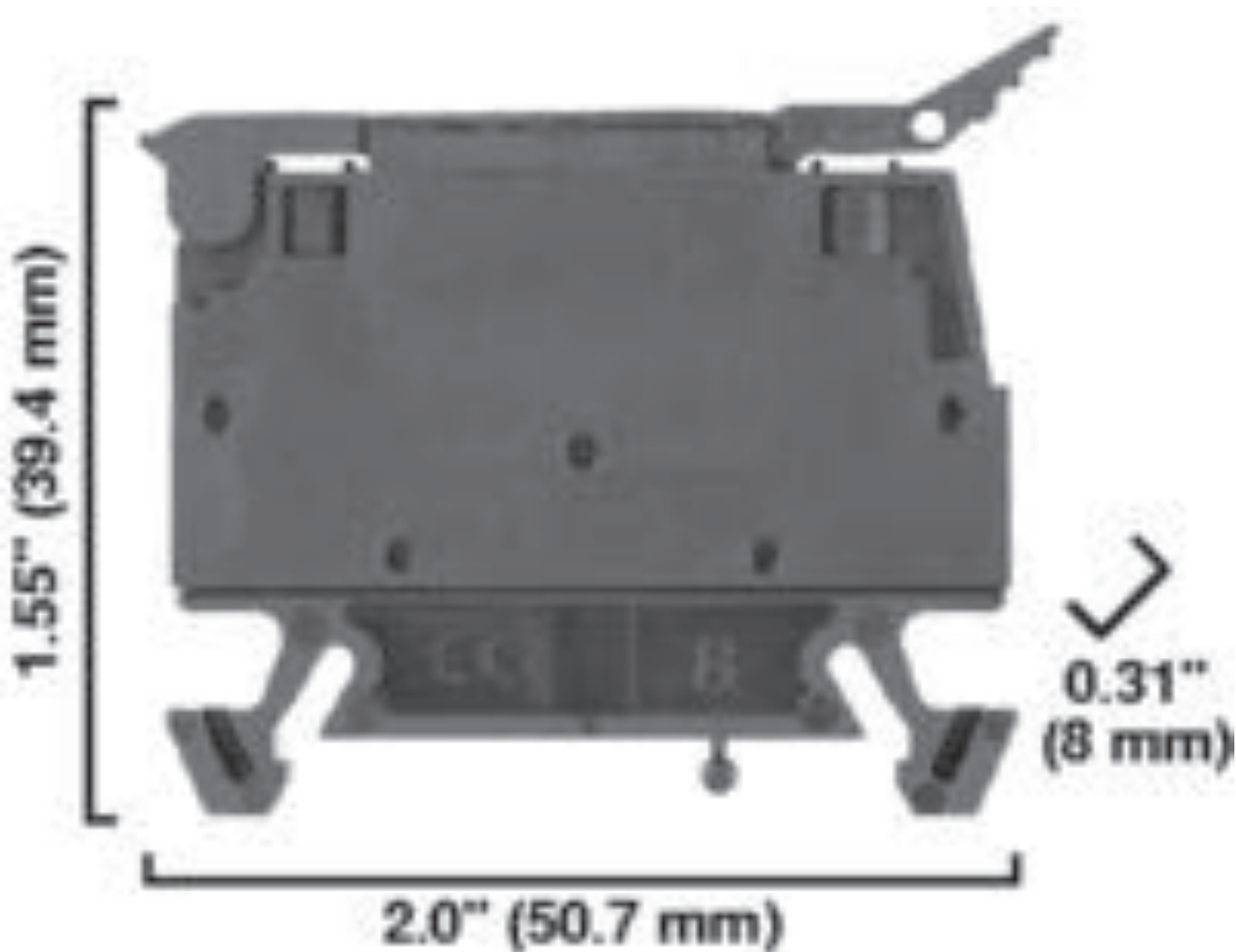


Allen-Bradley

by ROCKWELL AUTOMATION

TERMINALS

DIMENSIONAL DIAGRAM



RELATED PRODUCTS

ACCESSORY



Item No: 1492DR5

Required: No

Description: Allen-Bradley 1492 Din Rail 35 x 7.5mm Copper Free Aluminium 1m



Item No: 199DR4

Required: No

Description: Allen-Bradley 1492 Din Mounting Rail Zinc Plated Chromated Steel 35 x 15mm 1m