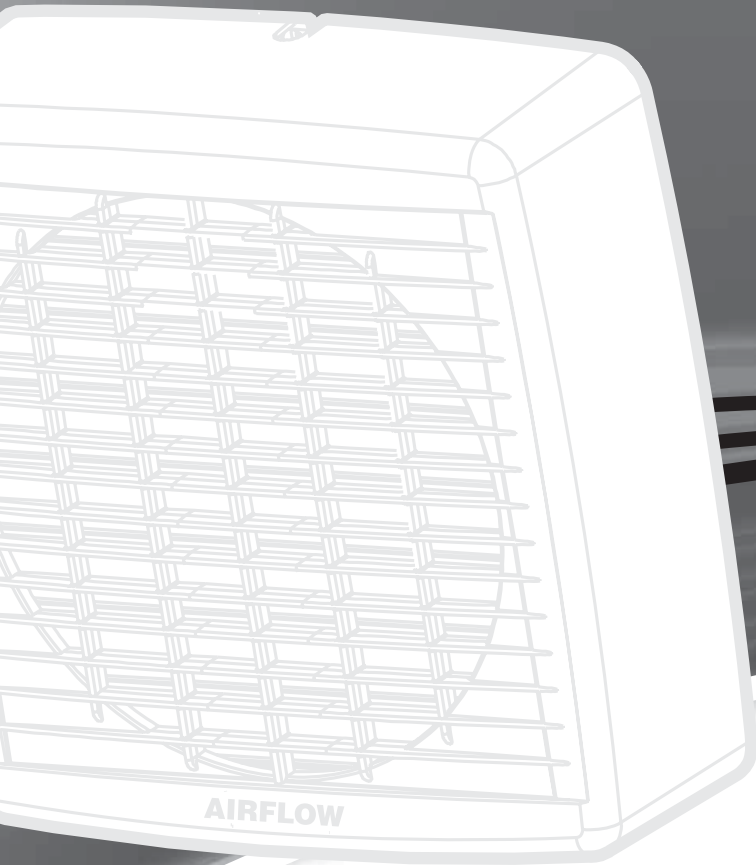


AIRFLOW[®]

keeping air fresher



**MaxAir Wall
Exhaust Fan**

**7106A Auto Switched and
7108A Pull Cord Switched**



Installation Instructions/Warranty Card

1. Check that the proposed location of the fan will not foul joists, existing wiring or other internal wall features (wall thickness between 110 and 310mm). Use template provided to mark out hole. Cut a hole through the wall $\varnothing 230\text{mm}$. Screw fan assembly to internal wall via four corner openings, see Figure A, (appropriate fasteners to be used for each installation not provided).

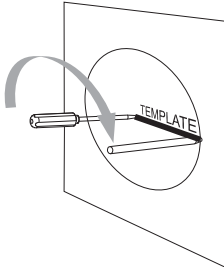
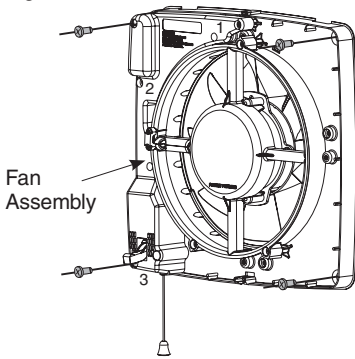
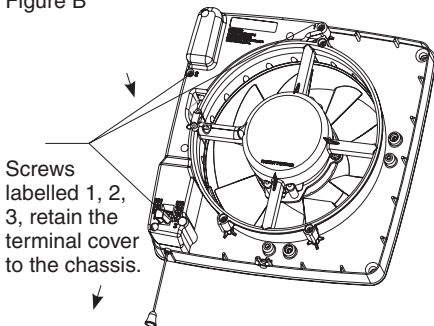


Figure A



2. Remove termination cover see Figure B, (screws marked with '1', '2', '3').

Figure B



3. Electrician to make electrical connections as shown, using three core, 1mm² cable. Replace termination cover.

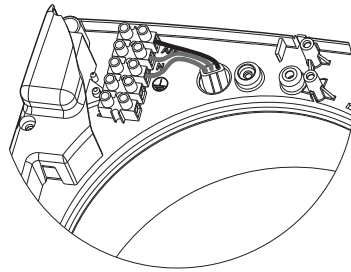
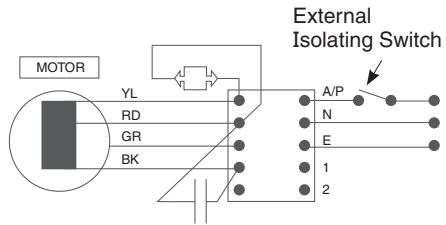
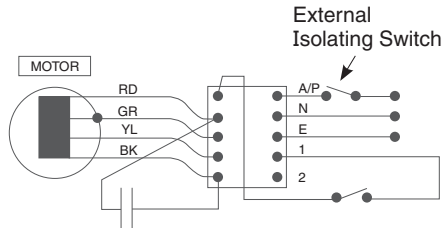


Figure C

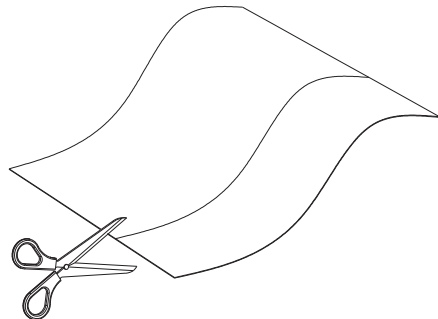
7106A Connection Diagram

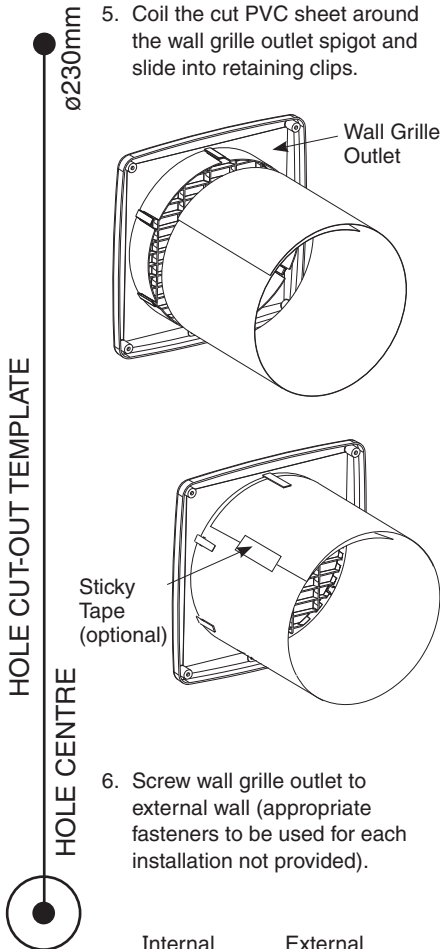


7108A Connection Diagram

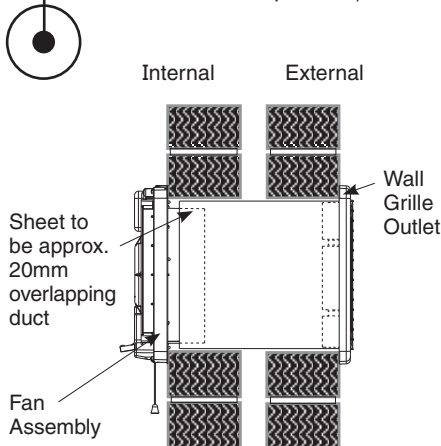


4. With fan assembly mounted on the internal wall, cut PVC sheet to suit wall depth.

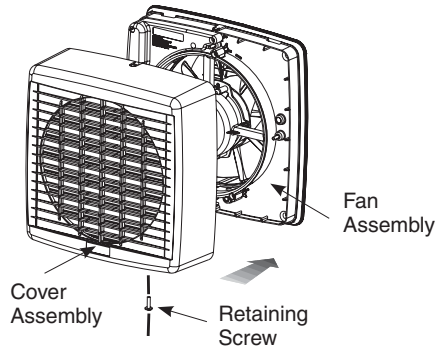




6. Screw wall grille outlet to external wall (appropriate fasteners to be used for each installation not provided).



7. Place cover assembly, as shown, over fan assembly and tighten retaining screw. Test. Ready to go.



WARNING:

The appliance is not intended for use by young children or infirm persons unless they have been adequately supervised by a responsible person to ensure that they can use the appliance safely.

Young children should be supervised to ensure they do not play with the appliance.

Appliance intended to be mounted on external wall only.

Ensure the fan is switched OFF from the supply mains before removing the guard.

NOTE: SHUTTER OPERATION

Do not turn auto switched models on without the front cover fitted. Auto switched fans are fitted with a thermal actuator, thus requiring approximately three minutes to fully open and approximately sixty seconds to close shutters. Pull cord models are operated either by the built in pull cord and/or separate switch (thermal actuator). If it is decided to use and operate fan via a separate switch, the delay on opening and closing of shutters must also be noted.

Warranty

The Airflow Wall Exhaust Fan and related products are guaranteed for three (3) years.

The benefits conferred by this warranty are in addition to all other rights and remedies in respect of the product which the consumer has under the Trade Practices Act and similar State and Territory Laws.

The original purchaser of this Airflow Wall Exhaust Fan is provided with the following warranty, subject to the following conditions. Clipsal Australia Pty Ltd warrant this product for a period of three years from the date of purchase for all parts defective in workmanship or materials. All defective parts will be replaced free of charge. The following exclusions do not preclude the purchaser from those statutory rights consumers have under the Trade Practices Act or similar State and Territory Laws.

Warranty Conditions

1. This warranty is only valid for appliances installed according to the manufacturer's instructions.
2. This appliance must not be modified in any way.
3. All wiring must be carried out by a licensed electrician or similarly qualified person and must be connected to the voltage requirements as specified on the ratings label.
4. The manufacturer does not accept liability for any direct or consequential damage, loss or other expense arising from misuse or incorrect installation and operation of the appliance.
5. Warranty will only be given on appliances where proof of purchase date is provided eg. original invoice or copy.

As a record of your purchase, please fill out the following details and file this information with your purchase invoice.

Airflow Model Number:

Serial Number:

Purchased from:

Date of Purchase: / /

Product of Clipsal Australia Pty Ltd

A member of Schneider Electric

Contact us: clipsal.com/feedback

National Customer Care Enquiries:

Tel 1300 2025 25

Fax 1300 2025 56

clipsal.com

Clipsal Australia Pty Ltd reserves the right to change specifications, modify designs and discontinue items without incurring obligation and whilst every effort is made to ensure that descriptions, specifications and other information in this catalogue are correct, no warranty is given in respect thereof and the company shall not be liable for any error therein.

© Clipsal Australia Pty Ltd. The identified trademarks and copyrights are the property of Clipsal Australia Pty Ltd unless otherwise noted.