



INDUSTRIAL

HAZARDOUS
AREAS

DATA ICT

RESIDENTIAL
COMMERCIAL



B&R Enclosures
Universal NI – Zinc Coated Steel

brenclosures.com.au

Universal NI – Zinc Coated Steel

General Purpose Enclosures



- Built for industrial and demanding environments.
- Threaded sockets on the rear of the enclosure to allow mounting feet attachment without compromising the IP rating.
- 120° door opening for ease of access to internal systems.
- Conformity, Approvals:
 - CE Mark
 - Lloyds Register #06/10007 (E2)
- Manufactured from 1.2/1.6mm thick zinc coated steel.
- Powdercoated Pebble Grey RAL7032 or X15 Orange.

Comes standard with:

- 2mm steel mounting pan powdercoated white
- Gland plate (200mm deep and above)
- Chromed steel lock with 7mm square steel insert (NI020)
- Door rails
- Earth strap kit



ORDERING GUIDE

Part Number		Dimensions (mm)								No. of Fixing Points (Suits M8 fixings)	Material Thickness (mm)	Weight (kg)	Locks
		External			Internal	Mounting Pan		Gland Opening					
Standard	X15 Orange	Height (A)	Width (B)	Depth (C)	Usable Depth (D)*	Height (E)	Width (F)	Width (G)	Depth (H)				
NI03021	NI03021/RO	300	200	150	125	250	150	–	–	4	1.2	3.9	1
NI03031	NI03031/RO	300	300	150	125	250	250	–	–	4	1.2	5.0	1
NI03041	NI03041/RO	300	400	150	125	250	350	–	–	4	1.2	6.5	1
NI04032■	NI04032/RO■	400	300	200	175	350	250	250	120	4	1.6	8.0	1
NI03042	NI03042/RO	300	400	200	175	250	350	250	120	4	1.6	7.5	1
NI04042■	NI04042/RO■	400	400	200	175	350	350	250	120	4	1.6	12.0	1
NI05042■	NI05042/RO■	500	400	200	175	450	350	250	120	4	1.6	14.0	1
NI06042■	NI06042/RO■	600	400	200	175	550	350	250	120	4	1.6	17.0	2
NI05052■	NI05052/RO■	500	500	200	175	450	450	440	120	4	1.6	17.0	1
NI04062■	NI04062/RO■	400	600	200	175	350	550	440	120	4	1.6	16.0	1
NI06062■	NI06062/RO■	600	600	200	175	550	550	440	120	4	1.6	23.0	2
NI08062■	NI08062/RO■	800	600	200	175	750	550	440	120	6	1.6	30.0	2
NI10062■	NI10062/RO■	1000	600	200	175	950	550	440	120	6	1.6	37.0	2
NI04043■	NI04043/RO■	400	400	300	275	350	350	250	120	4	1.6	14.0	1
NI06043■	NI06043/RO■	600	400	300	275	550	350	250	120	4	1.6	20.0	2
NI04063■	NI04063/RO■	400	600	300	275	350	550	440	120	4	1.6	19.0	1
NI06063■	NI06063/RO■	600	600	300	275	550	550	440	120	4	1.6	27.0	2
NI08063■	NI08063/RO■	800	600	300	275	750	550	440	120	6	1.6	34.0	2
NI10063■	NI10063/RO■	1000	600	300	275	950	550	440	120	6	1.6	41.0	2
NI08083^	NI08083/RO^	800	800	300	275	750	750	440	120	6	1.6	43.0	2
NI10083^	NI10083/RO^	1000	800	300	275	950	750	440	120	6	1.6	52.0	2
NI12083^	NI12083/RO^	1200	800	300	275	1150	750	440	120	6	1.6	61.0	2

* Mounting pan to inside of door

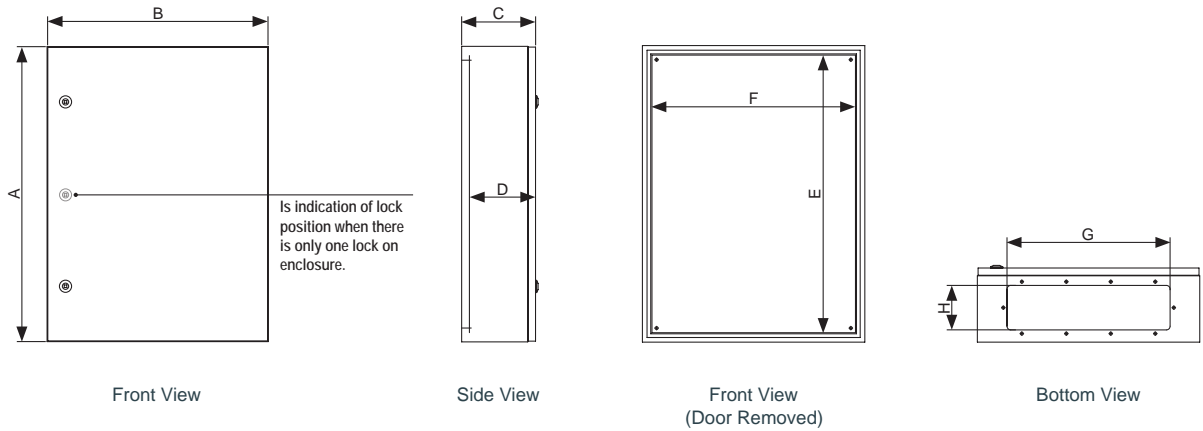
■ Includes vertical door rails

^ Includes horizontal and vertical door rails

Universal NI – Zinc Coated Steel

General Purpose Enclosures

TECHNICAL DRAWINGS



ACCESSORIES

Product	Description	Part Number	Dimensions (mm)																										
			Height	Width	Depth	NI03021 (RO)	NI03031 (RO)	NI03041 (RO)	NI04032 (RO)	NI03042 (RO)	NI04042 (RO)	NI05042 (RO)	NI06042 (RO)	NI04062 (RO)	NI06062 (RO)	NI08062 (RO)	NI10062 (RO)	NI04043 (RO)	NI06043 (RO)	NI06063 (RO)	NI08063 (RO)	NI10063 (RO)	NI08083 (RO)	NI10083 (RO)	NI12083 (RO)				
Rainhoods	Zinc coated steel	NIRH021	30	175.6	65	•																							
		NIRH031	30	275.6	65		•																						
		NIRH032	30	275.6	105			•																					
		NIRH041	30	375.6	65			•																					
		NIRH042	30	375.6	105				•	•	•	•																	
		NIRH043	30	375.6	220														•	•									
		NIRH052	30	475.6	105														•										
		NIRH062	30	575.6	105															•	•	•	•						
		NIRH063	30	575.6	220																		•	•	•	•			
		NIRH082	30	775.6	105																								
NIRH083	30	775.6	220																					•	•	•			
External vent kits – Zinc coated steel	Pebble Grey RAL7032	IPVK	130	130	–	^	^	^	•	•	•	•	•	•	•	•	•	•	•	•	•	•	•	•	•	•	•		
		IPVK16	260	260	–	^	^	^	•	•	•	•	•	•	•	•	•	•	•	•	•	•	•	•	•	•	•		
	X15 Orange	IPVK/RO	130	130	–	^	^	^	•	•	•	•	•	•	•	•	•	•	•	•	•	•	•	•	•	•	•	•	
		Wall mounting brackets – 316 stainless steel	Set of 4 (1Tonne SWL)	MEB/S	–	–	–	•	•	•	•	•	•	•	•	•	•	•	•	•	•	•	•	•	•	•	•	•	•
				MF2/S	75	200	–	•																					
			MF3/S	75	300	–		•																					
			MF4/S	75	400	–			•																				
			MF5/S	75	500	–				•	•	•																	
			MF6/S	75	600	–							•	•										•	•	•	•		
			MF8/S	75	800	–																					•	•	•
Gland plates	6mm aluminium		SRAGP6/2	290	160	–				•	•	•	•																
		SRAGP6/3	480	160	–																								
	3mm brass	SRBGP3/2	290	160	–					•	•	•	•																
		SRBGP3/3	480	160	–																								
		SRBGP6/2	290	160	–					•	•	•	•																
		SRBGP6/3	480	160	–																								
Replacement Hinge	Kit	NI/H	–	–	–	•	•	•	•	•	•	•	•	•	•	•	•	•	•	•	•	•	•	•	•	•	•		
		Touch Up Paint (300g)	Pebble Grey RAL7032	TUP/P20	–	–	–	•	•	•	•	•	•	•	•	•	•	•	•	•	•	•	•	•	•	•	•	•	
X15 Orange	TUP/P24		–	–	–	•	•	•	•	•	•	•	•	•	•	•	•	•	•	•	•	•	•	•	•	•	•		

^ Fits door only

Locks

To suit Universal NI enclosures



STANDARD LOCKS



Enclosure	SH	SS
Universal NI	NI020 – chromed steel with 7mm square insert.	NI020/S – stainless steel lock with 7mm square stainless steel insert.

LOCK OPTIONS

There are a number of additional lock options available that are suitable for use on Universal NI enclosures. Contact your local B&R sales representative to discuss your requirements.

Product	Description	Part Number	Standard Lock/Insert	Alternative insert	Keys		
					Lockable handles	Plastic, 3-way	Aluminium, 4-way
Turnbuckle	chromed steel	NI020	7mm square – steel	See below		SKU	SKZ
	powdercoated	NI020/PS	7mm square – stainless steel	See below		SKU	SKZ
	stainless steel	NI020/S	7mm square – stainless steel	See below		SKU	SKZ
		NI028/S	8mm square slotted – stainless steel	See below			SK8
Wing knob	lockable	NI030	Key code 92268		SK3		
	non-lockable	NI111	–				
T-handle	lockable	NI040	Key code 92268		SK3		
L-handle	lockable	NI050	Key code 92268		SK3		
	padlockable – steel	NI052	–				
	padlockable – stainless steel	NI052/S	–				
Dust cap	plastic	NI020/DC	to suit NI020 lock				



LOCK INSERTS FOR NI020 LOCKS

The NI020 locks are available with an optional lock insert. Contact your local B&R sales representative to discuss your requirements.

To suit lock style	Description	To suit lock	Standard Insert	3mm double bit pin		8mm square		8mm triangle		
				Steel	Stainless Steel	Steel	Stainless Steel	Stainless Steel	Steel	Stainless Steel
				Turnbuckle	chromed steel	NI020	7mm square – steel	LKINS3P		LKINS8S
powdercoated with SS insert	NI020/PS	7mm square – stainless steel			LKINS3P/S		LKINS8S/S	LKINS8SS/S	LKINS8T/S	
stainless steel	NI020/S	7mm square – stainless steel			LKINS3P/S		LKINS8S/S	LKINS8SS/S	LKINS8T/S	
Key required – aluminium			SKZ	SKZ	SKZ	SKZ	SKZ	SKZ	SKZ	
Key required – plastic			SKU	SKU	SKU	SKU	SKU	SKU	SKU	

AUSTRALIA

Sales
T: 1300 Enclosures (1300 362 567)
F: 1300 796 599
E: sales@brenclosures.com.au
brenclosures.com.au

QUEENSLAND
Brisbane Manufacturing, Sales & Warehouse
51 Stradbroke Street
Heathwood QLD 4110
(PO Box 1151)
Browns Plains BC QLD 4118
T: +61 7 3714 1111
E: salesqld@brenclosures.com.au

NORTH QUEENSLAND
Townsville Sales & Warehouse
Unit 4 / 780 Ingham Road
Mount Louisa QLD 4814
(PO Box 7615)
Garbutt QLD 4814
T: +61 7 4727 1900
E: salestvl@brenclosures.com.au

NEW SOUTH WALES
NSW & ACT Sales & Warehouse
Unit 12/100 Belmore Road North
(PO Box 192)
Riverwood NSW 2210
T: +61 2 9915 9555
E: salesnsw@brenclosures.com.au

NEWCASTLE Distribution
109-111 Broadmeadow Road
Broadmeadow NSW 2292
T: +61 2 4961 4433
F: +61 2 4961 2498

VICTORIA
VIC & TAS Sales & Warehouse
50-52 Sunmore Close
Heatherton VIC 3202
T: +61 3 9552 0552
E: salesvic@brenclosures.com.au

TASMANIA Distribution
W P Martin Pty Ltd
85 Elizabeth Street
Launceston TAS 7250
T: +61 3 6331 5545
F: +61 3 6331 4256

SOUTH AUSTRALIA
SA & NT Manufacturing, Sales & Warehouse
505 Grand Junction Road
Wingfield SA 5013
T: +61 8 8417 6222
E: salessa@brenclosures.com.au

NORTHERN TERRITORY Distribution
Cnr Hidden Valley & Beaton Roads
Berrimah NT 0828
T: +61 8 8947 0870
F: +61 8 8947 0764

WESTERN AUSTRALIA
WA Sales Office & Warehouse
6 Montgomery Way
Malaga WA 6090
T: +61 8 6310 4777
E: saleswa@brenclosures.com.au

NEW ZEALAND

Sales
B&R Enclosures Limited
T: 0800 Enclosures (0800 362 567)
E: sales@brenclosures.co.nz
brenclosures.co.nz

AUCKLAND Distribution
Unit 6/103 Cryers Road
East Tamaki Auckland NZ 2013
T: +64 9 265 2097
F: +64 9 265 2437
E: sales@brenclosures.co.nz

CHRISTCHURCH Distribution
17 Washbournes Road
Wigram Christchurch NZ 8042
T: +64 3 348 0659
F: +64 3 348 4043
E: sales@brenclosures.co.nz

CHINA

Sales
B&R Enclosures (Suzhou) Co. Ltd
E: sales@brenclosures.com.cn
brenclosures.com.cn

SUZHOU
Suzhou Sales Office & Manufacturing
Building 45 Chuangtou Industrial Zone
SIP, Suzhou 215122
PEOPLE'S REPUBLIC OF CHINA
T: +86 512 8718 2139
F: +86 512 8718 2140
E: sales@brenclosures.com.cn

SOUTH EAST ASIA

Sales
B&R Enclosures SDN BHD
E: sales@brenclosures.com.au
brenclosures.com.au

MALAYSIA
Malaysia Sales Office & Manufacturing
No.38-1, Puchong Gateway Square,
Jalan Suria Puchong 4,
Pusat Perniagaan Suria Puchong
47110, Puchong, Selangor, Malaysia
T: +603 8958 3923 or +603 8959 3923
F: +603 8958 3223
E: sales@brenclosures.com.au

MIDDLE EAST

Sales
B&R Gulf
E: sales@brgulf.com.sa
brenclosures.com.sa

DAMMAM
Dammam Sales Office & Manufacturing
Factory No. 119, Modon Buildings
King Salman Road, Industrial Area 3
Dammam, Kingdom of Saudi Arabia
T +96 638 128 691 or +96 650 349 6592
E: sales@brgulf.com.sa