



INDUSTRIAL

HAZARDOUS  
AREAS

DATA ICT

RESIDENTIAL  
COMMERCIAL



**B&R Enclosures**

CONNECTOR TE

Zinc Coated & 316 Stainless Steel

[brenclosures.com.au](http://brenclosures.com.au)

# Connector TE – Zinc Coated Steel

## Termination Enclosures



- Suitable for housing terminations, pushbuttons or switchgear in industrial or demanding environments.
- Designed for installations where smaller enclosures are required.
- Captive 316 stainless steel combo head screws, used to prevent loss when fastening.
- Provision for mounting DIN rails or a mounting pan, increasing application flexibility.
- Conformity, Approvals:  
Lloyds Register #06/10007 (E2)
- Manufactured from 1.2mm thick zinc coated steel.
- Powdercoated Pebble Grey RAL7032.

Comes standard with:

- Earth strap kit

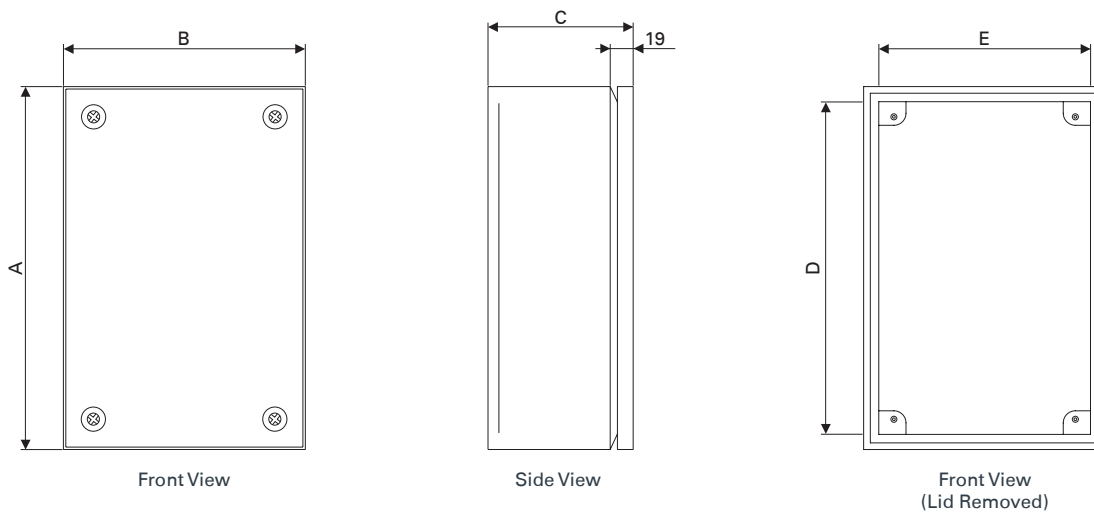


### ORDERING GUIDE

Part Number	Dimensions (mm)							
	External			Useable Depth		Opening Size		Weight (kg)
	Height (A)	Width (B)	Depth (C)	With DIN Rail*	With Mounting Pan*	Height (D)	Width (E)	
TE1108	150	150	80	47	60	125	125	1.2
TE3112	300	150	120	87	100	275	125	2.4
TE2212	200	200	120	87	100	175	175	2.2
TE3212	300	200	120	87	100	275	175	2.9
TE4212	400	200	120	87	100	375	175	3.6
TE6212	600	200	120	87	100	575	175	4.9

\* Mounting pan and DIN rail are available as optional extra

### TECHNICAL DRAWINGS



# Connector TE – Zinc Coated Steel

## Termination Enclosures



### ACCESSORIES

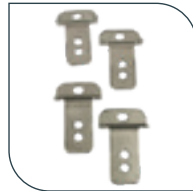
Product	Description	Part Number	Dimensions (mm)		TE1108	TE3112	TE2212	TE3212	TE4212	TE6212
			Height	Width						
Mounting pan – metal (powdercoated white)	2mm	TEMP11	123	120	•					
		TEMP22	173	170			•			
		TEMP31	273	120		•				
		TEMP32	273	170				•		
		TEMP42	373	170					•	
		TEMP62	573	170						•
DIN Rail	Aluminium	TED1	140	35	•					
		TED2	190	35			•			
		TED3	290	35		•	•			
		TED4	390	35					•	
		TED6	590	35						•
		Wall mounting brackets – 316 stainless steel	Set of 4 (1 Tonne SWL)	MEB/S	–	–	•	•	•	•
Touch up paint (300g)	Pebble Grey RAL7032	TUP/P20	–	–	•	•	•	•	•	•



Metal mounting pan



DIN Rail



MEB/S (set of 4)

# Connector TE – 316 Stainless Steel

## Termination Enclosures



- Suitable for housing terminations, pushbuttons or switchgear in industrial or demanding environments.
- Designed for installations where smaller enclosures are required.
- Captive 316 stainless steel combo head screws, used to prevent loss when fastening.
- Provision for mounting DIN rails or a mounting pan, increasing application flexibility.
- Conformity, Approvals:  
Lloyds Register #06/10007 (E2)
- Manufactured from 1.2mm thick 316 stainless steel.
- Powdercoated N4 surface finish.

Comes standard with:

- Earth strap kit

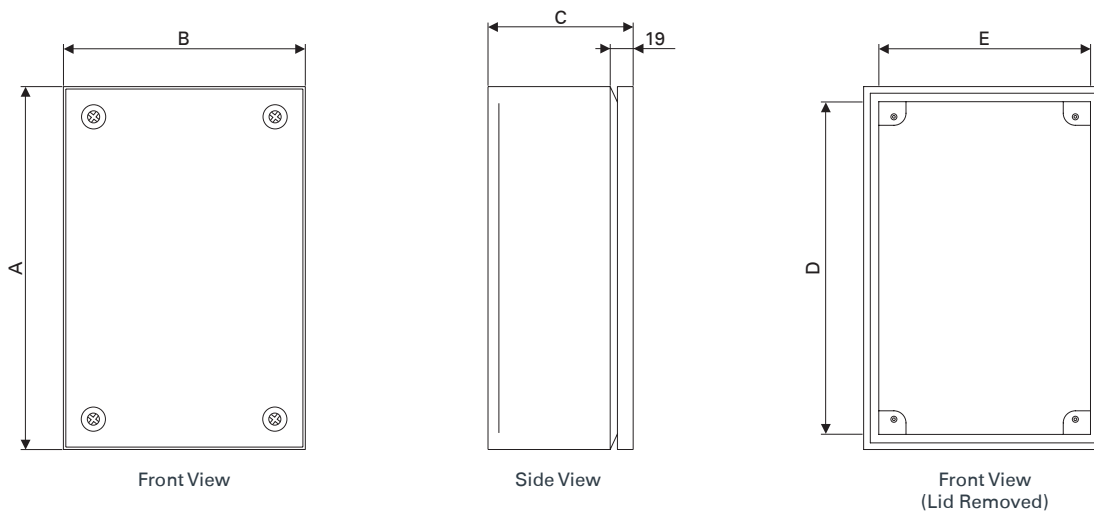


### ORDERING GUIDE

Part Number	Dimensions (mm)							
	External			Useable Depth		Opening Size		Weight (kg)
	Height (A)	Width (B)	Depth (C)	With DIN Rail*	With Mounting Pan*	Height (D)	Width (E)	
TE1108/S	150	150	80	47	60	125	125	1.2
TE3112/S	300	150	120	87	100	275	125	2.4
TE2212/S	200	200	120	87	100	175	175	2.2
TE3212/S	300	200	120	87	100	275	175	2.9
TE4212/S	400	200	120	87	100	375	175	3.6
TE6212/S	600	200	120	87	100	575	175	4.9

\* Mounting pan and DIN rail are available as optional extra

### TECHNICAL DRAWINGS



# Connector TE – 316 Stainless Steel

## Termination Enclosures



### ACCESSORIES

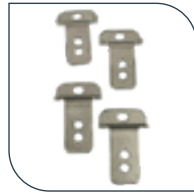
Product	Description	Part Number	Dimensions (mm)		TE1108/S	TE3112/S	TE2212/S	TE3212/S	TE4212/S	TE6212/S
			Height	Width						
Mounting pan – 2mm (powdercoated white)	Metal	TEMP11	123	120	•					
		TEMP22	173	170			•			
		TEMP31	273	120		•				
		TEMP32	273	170				•		
		TEMP42	373	170					•	
		TEMP62	573	170						•
DIN Rail	Aluminium	TED1	140	35	•					
		TED2	190	35			•			
		TED3	290	35		•	•			
		TED4	390	35				•		
		TED6	590	35					•	
Wall mounting brackets – 316 stainless steel	Set of 4 (1 Tonne SWL)	MEB/S	–	–	•	•	•	•	•	•



Metal mounting pan



DIN Rail



MEB/S (set of 4)

## AUSTRALIA

### Sales

T: 1300 Enclosures (1300 362 567)

F: 1300 796 599

E: [sales@brenclosures.com.au](mailto:sales@brenclosures.com.au)

[brenclosures.com.au](http://brenclosures.com.au)

### QUEENSLAND

Brisbane Manufacturing, Sales & Warehouse

51 Stradbroke Street

Heathwood QLD 4110

(PO Box 1151)

Browns Plains BC QLD 4118

T: +61 7 3714 1111

E: [salesqld@brenclosures.com.au](mailto:salesqld@brenclosures.com.au)

### NORTH QUEENSLAND

Townsville Sales & Warehouse

Unit 4 / 780 Ingham Road

Mount Louisa QLD 4814

(PO Box 7615)

Garbutt QLD 4814

T: +61 7 4727 1900

E: [salestvl@brenclosures.com.au](mailto:salestvl@brenclosures.com.au)

### NEW SOUTH WALES

NSW & ACT Sales & Warehouse

Unit 12/100 Belmore Road North

(PO Box 192)

Riverwood NSW 2210

T: +61 2 9915 9555

E: [salesnsw@brenclosures.com.au](mailto:salesnsw@brenclosures.com.au)

### NEWCASTLE Distribution

109-111 Broadmeadow Road

Broadmeadow NSW 2292

T: +61 2 4961 4433

F: +61 2 4961 2498

### VICTORIA

VIC & TAS Sales & Warehouse

50-52 Sunmore Close

Heatherton VIC 3202

T: +61 3 9552 0552

E: [salesvic@brenclosures.com.au](mailto:salesvic@brenclosures.com.au)

### TASMANIA Distribution

W P Martin Pty Ltd

85 Elizabeth Street

Launceston TAS 7250

T: +61 3 6331 5545

F: +61 3 6331 4256

## SOUTH AUSTRALIA

SA & NT Manufacturing, Sales & Warehouse

505 Grand Junction Road

Wingfield SA 5013

T: +61 8 8417 6222

E: [saleswa@brenclosures.com.au](mailto:saleswa@brenclosures.com.au)

### NORTHERN TERRITORY Distribution

Cnr Hidden Valley & Beaton Roads

Berrimah NT 0828

T: +61 8 8947 0870

F: +61 8 8947 0764

### WESTERN AUSTRALIA

WA Sales Office & Warehouse

6 Montgomery Way

Malaga WA 6090

T: +61 8 6310 4777

E: [saleswa@brenclosures.com.au](mailto:saleswa@brenclosures.com.au)

## NEW ZEALAND

### Sales

B&R Enclosures Limited

T: 0800 Enclosures (0800 362 567)

E: [sales@brenclosures.co.nz](mailto:sales@brenclosures.co.nz)

[brenclosures.co.nz](http://brenclosures.co.nz)

### AUCKLAND Distribution

Unit 6/103 Cryers Road

East Tamaki Auckland NZ 2013

T: +64 9 265 2097

F: +64 9 265 2437

E: [sales@brenclosures.co.nz](mailto:sales@brenclosures.co.nz)

### CHRISTCHURCH Distribution

17 Washbournes Road

Wigram Christchurch NZ 8042

T: +64 3 348 0659

F: +64 3 348 4043

E: [sales@brenclosures.co.nz](mailto:sales@brenclosures.co.nz)

## CHINA

### Sales

B&R Enclosures (Suzhou) Co. Ltd

E: [sales@brenclosures.com.cn](mailto:sales@brenclosures.com.cn)

[brenclosures.com.cn](http://brenclosures.com.cn)

### SUZHOU

Suzhou Sales Office & Manufacturing

Building 45 Chuangtou Industrial Zone

SIP, Suzhou 215122

PEOPLE'S REPUBLIC OF CHINA

T: +86 512 8718 2139

F: +86 512 8718 2140

E: [sales@brenclosures.com.cn](mailto:sales@brenclosures.com.cn)

## SOUTH EAST ASIA

### Sales

B&R Enclosures SDN BHD

E: [sales@brenclosures.com.au](mailto:sales@brenclosures.com.au)

[brenclosures.com.au](http://brenclosures.com.au)

### MALAYSIA

Malaysia Sales Office & Manufacturing

No.38-1, Puchong Gateway Square,

Jalan Suria Puchong 4,

Pusat Perniagaan Suria Puchong

47110, Puchong, Selangor, Malaysia

T: +603 8958 3923 or +603 8959 3923

F: +603 8958 3223

E: [sales@brenclosures.com.au](mailto:sales@brenclosures.com.au)

## MIDDLE EAST

### Sales

B&R Gulf

E: [sales@brgulf.com.sa](mailto:sales@brgulf.com.sa)

[brenclosures.com.sa](http://brenclosures.com.sa)

### DAMMAM

Dammam Sales Office & Manufacturing

Factory No. 119, Modon Buildings

King Salman Road, Industrial Area 3

Dammam, Kingdom of Saudi Arabia

T +96 638 128 691 or +96 650 349 6592

E: [sales@brgulf.com.sa](mailto:sales@brgulf.com.sa)