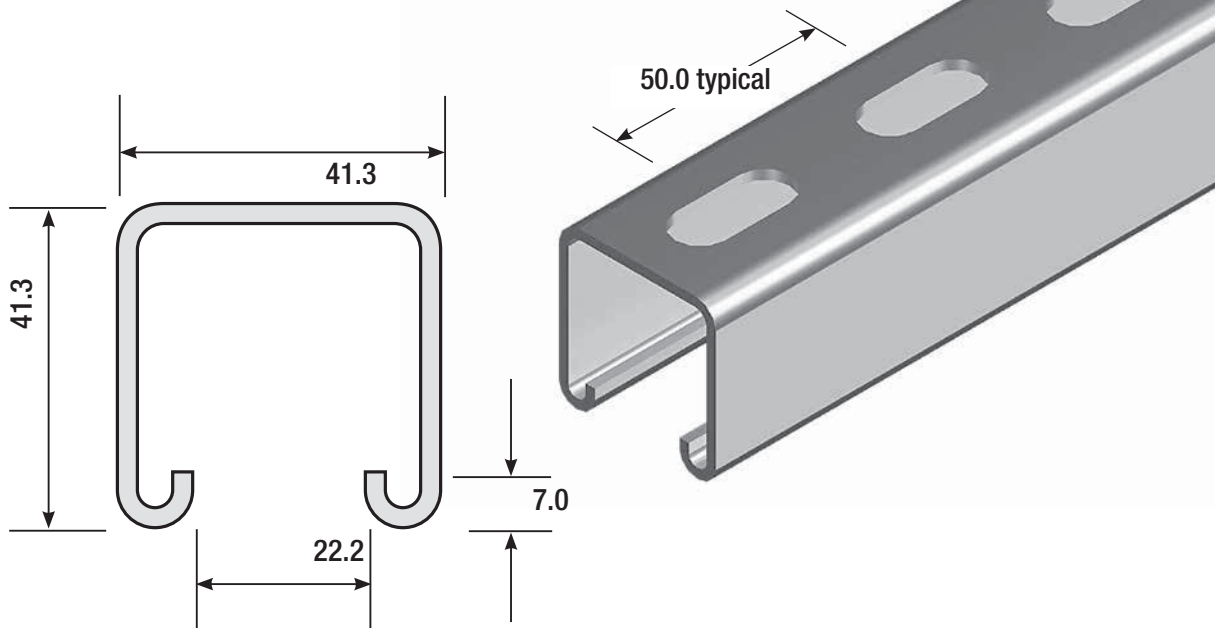


- Material Specification**
- Thickness 2.5 mm (mild steel)
 - Length 6 metres

- Ordering Details**
- Supplied in standard 6 metre lengths.

| Available Finish | Ordering Code |
|--------------------|----------------|
| Pre-Galvanised | B1000TG |
| Hot Dip Galvanised | B1000TH |
| Stainless Steel | B1000TS |

- Note**
- Powder coating and special finishes on request against firm orders only and are non returnable.



| Span (mm) | Maximum Allowable Load kg | Deflection at Allowable Load mm |
|-----------|---------------------------|---------------------------------|
| 250 | 1171 | 0.17 |
| 500 | 586 | 0.68 |
| 750 | 390 | 1.53 |
| 1000 | 293 | 2.72 |
| 1250 | 234 | 4.25 |
| 1500 | 195 | 6.13 |
| 1750 | 167 | 8.34 |
| 2000 | 146 | 10.9 |
| 2250 | 130 | 13.8 |
| 2500 | 117 | 17.03 |
| 2750 | 106 | 20.61 |
| 3000 | 98 | 24.56 |

B1000T Slotted Channel

▶ 13.9 kg per length