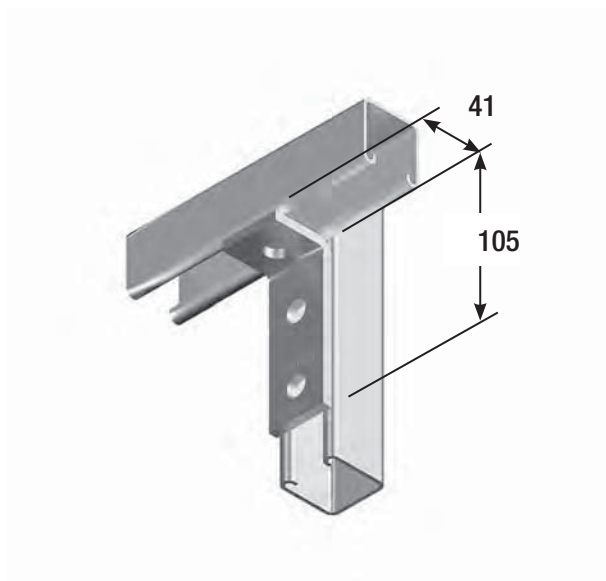


**Surface Finish                      Available Finish                      Code**

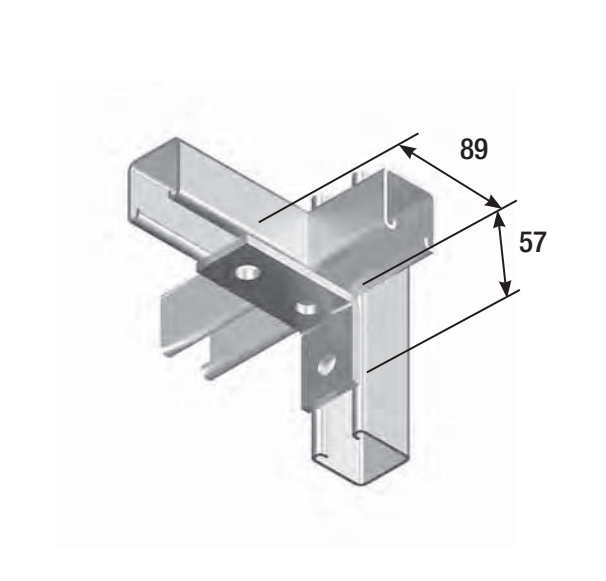
Hot Dip Galvanised	H
Stainless Steel	S

**Note**

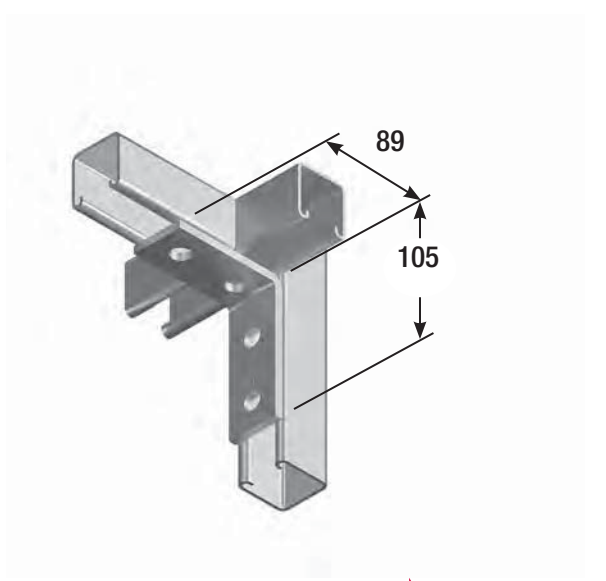
- Stainless steel products are manufactured against firm orders only and are non returnable.
- Powder coating and special finishes on request against firm orders only and are non returnable.



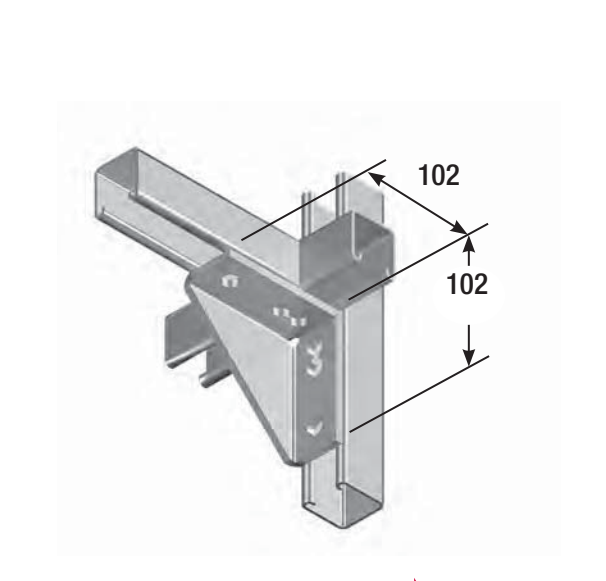
**B1326**                      ▶ Wt 0.24 kg



**B1458**                      ▶ Wt 0.24 kg



**B1325**                      ▶ Wt 0.33 kg



**B2484**                      ▶ Wt 0.61 kg