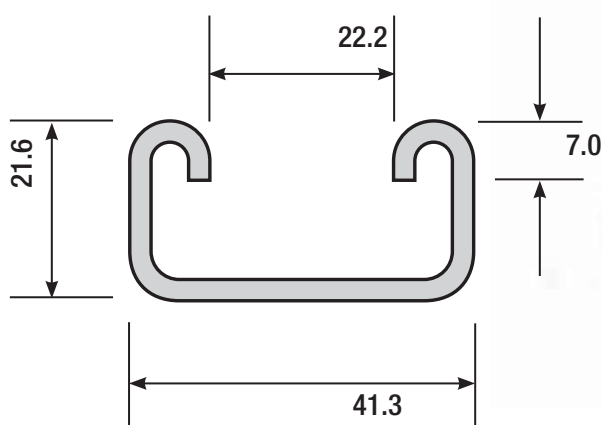


- Material Specification**
- Thickness 2.5 mm (mild steel)
2.5 mm (stainless Steel)
 - Length 6 metres

Ordering Details - Supplied in standard 6 metre lengths.

Available Finish	Ordering Code
Black (untreated)	B3300B
Pre-Galvanised	B3300G
Hot Dip Galvanised	B3300H
Stainless Steel	B3300S

Note - Powder coating and special finishes on request against firm orders only and are non returnable.



Span (mm)	Maximum Allowable Load kg	Deflection at Allowable Load mm
250	442	0.29
500	221	1.17
750	147	2.64
1000	110	4.69
1250	89	7.34
1500	73	10.57
1750	63	14.39
2000	55	18.79
2250	49	23.78
2500	44	29.35
2750	40	35.52
3000	37	43.37

B3300 Channel

▶ 10.9 kg per length