

PV-ezRack SolarRoof

Non-penetrative

Reliable, robust roof mounting system with high quality components designed for concealed-fix roof claddings (Klip-lok, Longline).



PV-ezRack SolarRoof Non-penetrative

To achieve and maintain improved watertightness of solar installations on Klip-lok type tin roofs, PV-ezRack SolarRoof has been expanded with a range of non-penetrative brackets. Rigorous testing on real size roofing sheets ensures safety, compliance and structural integrity of the PV-installations. As a result, the Klip-lok type brackets can be used for installing flush to the roof as well as for tiled systems.

Main Benefits

No roof penetration

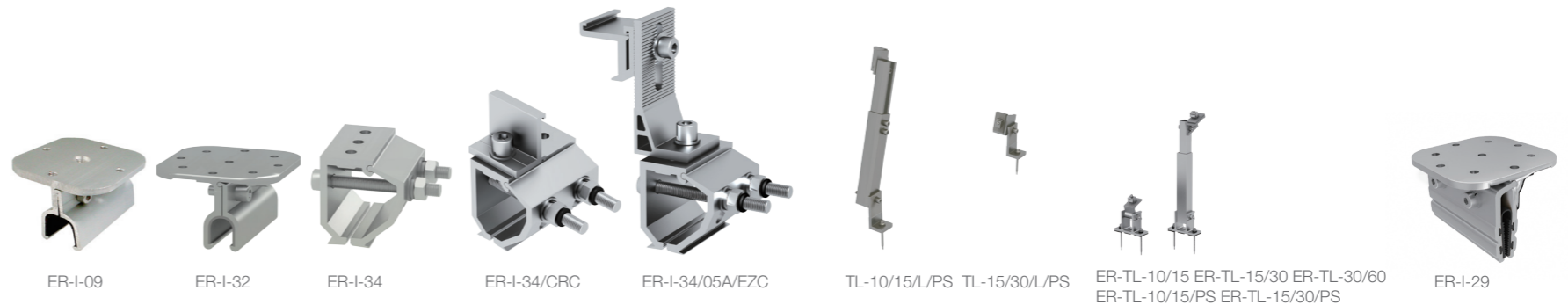
Watertightness is easily maintained with the SolarRoof clamps for concealed fix roofs, as there's no need for roof penetration. With Clenergy's thorough testing methods, this is made possible without any compromises on safety or structural integrity.

Versatility

The non-penetrative clamps can be used for flush installations as well as for tilting. The two fixing methods for flush mounting include direct mounting** (no rails) and bracket plus L-feet (with rails). For tilted systems, the adjustable tilt legs or SolarTripod can be used directly on the compatible non-penetrative clamps.

Quick and easy installation

Innovative and internationally patented, the Z-Module technology is used in almost all SolarRoof components. The Z-Module provides a quick, easy and safe installation method. It can be inserted in to the rail at any given point, and secured with just three hand grips.



Klip-lok Type Clamp

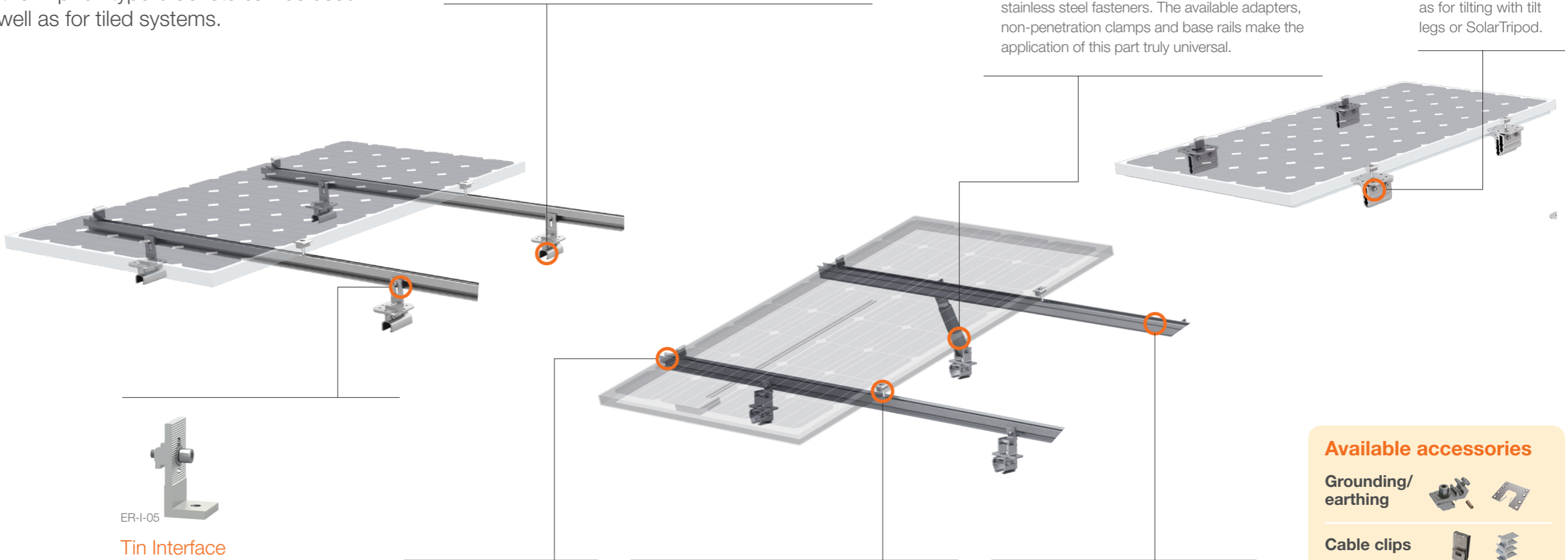
For flush mount as well as tilting, the Klip-lok type clamp has been tested and accredited for concealed-fix cladding types including types KLIP-LOK 406 (Lysaght), KLIP-LOK 700 (Lysaght), Speed Deck Ultra (Stramit), KingKlip (Fielders).

Adjustable Tilt Legs

One of Clenergy's first innovations, this universal design allows a wide range of tilt angles with only one component. The tilt leg is made entirely of structural grade aluminium profiles connected with stainless steel fasteners. The available adapters, non-penetration clamps and base rails make the application of this part truly universal.

Longline Clamp

Tested and accredited for LONGLINE 305 concealed-fix cladding for flush mount as well as for tilting with tilt legs or SolarTripod.



Tin Interface

The robust aluminium L-feet, which provides a height adjustment of almost 30mm, is designed for corrugated and trimdek type tin roofs. It comes with a Z-Module or Click Module plus bolt preassembled, with a screw which includes bonded sealing washer plus an EPDM rubber pad.



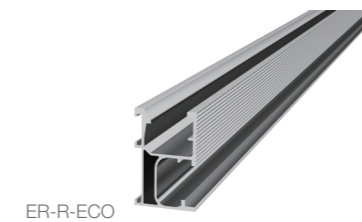
Universal Clamp

PV-ezRack Universal Clamp, with dual functionality (inter and end clamp), is applicable with most common framed PV modules from 30 mm to 46mm in height. Inbuilt grounding clip is also available.



Inter and End Clamps

The PV-ezRack Inter and End clamps offer a simple, easy to use and robust fixing of the PV panels (of all sizes) using the patented Clenergy Z-module. Compatible clamps for thin film modules are also available. The clamps can be bolted directly to the nonpenetrative brackets.



ECO Rail

Specifically developed to achieve larger spans, the SolarRoof ECO-Rail has reduced the number of required fixings. The ECO-Rails have two patented Z-Module channels with one at top for panel mounting and the second on side for connecting to the roof interface. The ECO-Rail comes in 2100, 3150 and 4200mm lengths.

Available accessories

- Grounding/earthing
- Cable clips
- Isolator Shade
- Rail caps

Materials

AL6005-T5 | SUS304

Contact us or one of our qualified resellers for a personalised quotation today.

10 Year Warranty* **Commercial** **Residential**



*see Clenergy PV-ezRack warranty for further details





Installed by Future Renewable Solutions



Clenergy Australia

1/10 Duerdin Street, Clayton VIC 3168 Australia
 Tel: +61 3 9239 8088 Fax: +61 3 9239 8024
 E-mail: sales@clenergy.com.au
www.clenergy.com.au

Clenergy China

999-1009 Min'an Rd, Huoju Hi-tech Ind. Dev. Zone
 Xiang'an District 361101, Xiamen, Fujian, China
 Tel: +86 592 311 0088 Fax: +86 592 599 5028
 E-mail: sales@clenergy.com.cn
www.clenergy.com.cn

Clenergy EMEA

Esplanade 41, 20354 Hamburg, Germany
 Tel: +49 (0) 40 3562 389 00
 E-mail: sales.emea@clenergy.com

Clenergy Japan

Nittochi Yamashita Building 5th Floor
 23 Yamashita-cho, Yokohama, 231-0023 Japan
 Tel: +81 45 228 8226 Fax: +81 45 228 8316
 E-mail: sales@clenergy.co.jp
www.clenergy.jp

Clenergy Philippines

145 Yakal St., San Antonio village, Makati City, Philippines
 Tel: +63 977 8407240
 E-mail: sales_ph@clenergy.com
www.clenergy.ph

Clenergy Thailand

9/2, 5th Floor, Vorasin Building, Soi Yasooob 2, Viphavadee-Rungsit Road, Chomphon Sub-district, Chatuchak District, Bangkok 10900
 Tel: +66 (0) 2 277 5201, +66 (0) 6 3228-0200
 E-mail: sales_th@clenergy.com, support_th@clenergy.com
www.clenergythailand.com

Clenergy Singapore

24 Raffles Place #28-01 Clifford Centre Singapore 048621
 Tel: +65 9743 1425
 E-mail: vincent.chan@clenergy.com

Clenergy Malaysia

Tel: +86 18750231005
 E-mail: sales_em@clenergy.com

Clenergy Vietnam

Tel: +86 592 3110095
 E-mail: sales_vietnam@clenergy.com;
 susie.chen@clenergy.com

Worldwide Network

