

CLIPSAL[®] SCREWED METAL CONDUIT FITTINGS



CLIPSAL[®]

SCREWED METAL

CONDUIT FITTINGS

INDEX	PAGE
Screwed Metal Conduit Fittings	4
Adaptors.....	4
Adaptor Couplings.....	6
Adaptor Nipples.....	8
Barrel Unions.....	7
Bends.....	12
Conduit Plugs.....	9
Couplings.....	6
Elbows.....	12
Inspection Elbows.....	11
Inspection Tees.....	12
Knurling.....	4
Lock Nuts.....	10
Lock Rings.....	11
Nipples.....	7
Rectangular Junction Boxes.....	14
Reducers.....	8
Round Junction Boxes.....	13
Tees.....	12
Screw Thread Data	16
Flameproof Metal Conduit Fittings	17
Couplings.....	17
Hexagon Nipples.....	18
Lock Nuts.....	19
Long Screw Unions.....	19
N.P.T. Adaptors.....	17
Plugs.....	18
Rectangular Junction Boxes.....	20
Reducers.....	18
Round Junction Boxes.....	19
Fixing Accessories	21
Earth Clips.....	22
Half Saddles.....	21
Metal Bushes.....	22
Saddles.....	21

Screwed Metal Conduit Fittings

Clipsal's comprehensive range of Screwed Metal Conduit Fittings is specifically designed for heavy duty installations.

To minimise corrosion the fittings are either made from brass, galvanised cast or zinc plated steel.

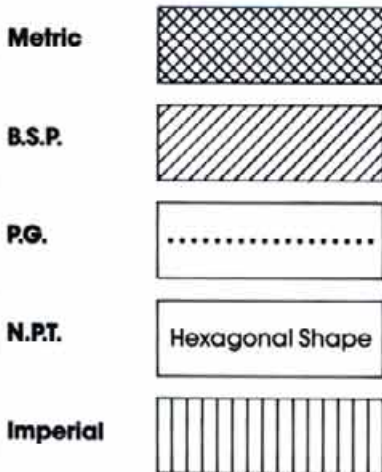
All are manufactured to exacting Clipsal standards and controls, and comply with AS2052. Unless otherwise stated, fittings have Metric Conduit Threads.

The range includes Pg. to Metric, N.P.T. to Metric and B.S.P. to Metric Adaptors, Barrel Unions, Nipples, Couplings, Junction Boxes, Tees, Elbows and Bends.

Clipsal Metric Conduit Fittings comply with AS2052 Metric Screw Threads (16 to 63mm x 1.5mm Pitch) comply with AS1721 class 7H/8g fit. Imperial Conduit Screw Threads comply with ASC66.1, and AS1722.2. European Pg. Conduit Threads comply with DIN 40430 British Standard Pipe Threads comply with BS2779, and AS1722.2. Brass Threads (Whitworth form) comply with BS84.

Knurling

To assist in the identification of various thread forms in our metal fitting range, the following knurling marks are shown on the body of the relevant fittings.



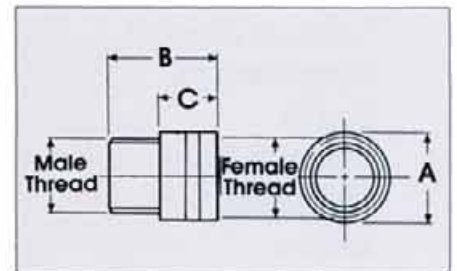
The knurling mark is placed as close as possible to the thread which it represents.

Also the knurling provides both thread identification and a grip surface.

Adaptors

Imperial to Metric Adaptors Brass

Imperial Conduit Threads comply with ASC66.1 and AS1722.2, Metric Conduit Threads comply with AS2052 and AS1721.



Cat. Number	Male Thread	Pitch TPI	Female Thread	Pitch	A O/A Dia.	B O/A Length	C
1235/16	5/8"	14	16mm	1.5mm	21	30	16
1235/20	3/4"	14	20mm	1.5mm	24	35	19
1235/25	1"	11	25mm	1.5mm	29	40	20
1235/32	1 1/4"	11	32mm	1.5mm	35	43	23
1235/40	1 1/2"	11	40mm	1.5mm	41	45	25
1235/50	2"	11	50mm	1.5mm	57	43	21

Nominal Dimensions

Metric to Imperial Adaptors

Cat. Number	Male Thread	Pitch	Female Thread	Pitch TPI	A O/A Dia.	B O/A Length	C
1235/16R	16mm	1.5mm	5/8"	18	21	30	16
1235/20R	20mm	1.5mm	3/4"	16	24	35	18.5
1235/25R	25mm	1.5mm	1"	16	29	40	20
1235/32R	32mm	1.5mm	1 1/4"	16	35	41	21
1235/40R	40mm	1.5mm	1 1/2"	14	41	45	25
1235/50R	50mm	1.5mm	2"	14	57	43	25

Nominal Dimensions

Pg. to Metric Adaptors

European Conduit Threads comply with DIN 40430, Metric Conduit Threads comply with AS2052 and AS1721.

Cat. Number	Male Pg. Thread	Pitch TPI	Female Thread	Pitch	A O/A Dia.	B O/A Length	C
1235Pg9	Pg9	18	20mm	1.5mm	22	31	17
1235Pg11	Pg11	18	20mm	1.5mm	22	31	17
1235Pg13.5	Pg13.5	18	20mm	1.5mm	24	30	16
1235Pg16	Pg16	18	20mm	1.5mm	24	33	19
1235Pg21	Pg21	16	25mm	1.5mm	28.5	36	21
1235Pg29	Pg29	16	32mm	1.5mm	38	40	23
1235Pg36	Pg36	16	50mm	1.5mm	54	49	28
1235Pg42	Pg42	16	50mm	1.5mm	54	45	28
1235Pg48	Pg48	16	50mm	1.5mm	60	28	7

Nominal Dimensions

BSP to Metric Adaptors

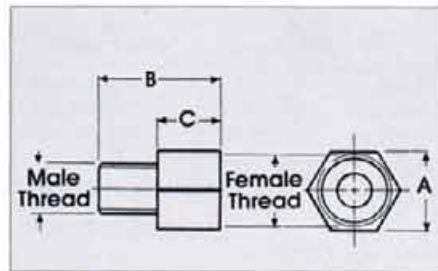
British Standard Pipe Threads comply with BS2779, and AS1722.2, Metric Conduit Threads Comply with AS2052 and AS1721.

Catalogue Number	Male B.S.P. Thread	Pitch TPI	Female Metric Thread	Pitch	A O/Dia.	B O/A Length	C
1235BSP15/20	15mm (½" B.S.P.)	14	20mm	1.5mm	24	33	18
1235BSP20/20	20mm (¾" B.S.P.)	14	20mm	1.5mm	28	26	5
1235BSP20/25	20mm (¾" B.S.P.)	14	25mm	1.5mm	30	36	19.5
1235BSP25/20	25mm (1" B.S.P.)	11	20mm	1.5mm	33.5	26	5.5
1235BSP25/25	25mm (1" B.S.P.)	11	25mm	1.5mm	33.5	27	6
1235BSP32/25	32mm (1¼" B.S.P.)	11	25mm	1.5mm	43	33	9
1235BSP32/32	32mm (1¼" B.S.P.)	11	32mm	1.5mm	43	29	5.5
1235BSP40/25	40mm (1½" B.S.P.)	11	25mm	1.5mm	48	33	12
1235BSP40/32	40mm (1½" B.S.P.)	11	32mm	1.5mm	48	36	9
1235BSP40/40	40mm (1½" B.S.P.)	11	40mm	1.5mm	48	30	7
1235BSP50/25	50mm (2" B.S.P.)	11	25mm	1.5mm	60	38	10
1235BSP50/32	50mm (2" B.S.P.)	11	32mm	1.5mm	60	38	10
1235BSP50/40	50mm (2" B.S.P.)	11	40mm	1.5mm	60	38	10
1235BSP50/50	50mm (2" B.S.P.)	11	50mm	1.5mm	60	33	6

Nominal Dimensions

NPT to Metric Adaptors

Metric Conduit Threads comply with AS2052 and AS1721.



Cat. Number	Male N.P.T. Thread	Pitch TPI	Female Metric Thread	Pitch	A A/F Hex	B O/A Length	C
1235NPT1	½" N.P.T.	14	20mm	1.5mm	22	34	20
1235NPT2	¾" N.P.T.	14	20mm	1.5mm	27	26	6
1235NPT3	¾" N.P.T.	14	25mm	1.5mm	27	39	20
1235NPT4	1" N.P.T.	11.5	20mm	1.5mm	35	26	6
1235NPT5	1" N.P.T.	11.5	25mm	1.5mm	33	28	6
1235NPT6	1" N.P.T.	11.5	32mm	1.5mm	35	48	27
1235NPT7	1¼" N.P.T.	11.5	40mm	1.5mm	43	54	30
1235NPT8	1¼" N.P.T.	11.5	50mm	1.5mm	43	26	5
1235NPT9	1½" N.P.T.	11.5	40mm	1.5mm	51	30	7
1235NPT10	1½" N.P.T.	11.5	50mm	1.5mm	56	53	30
1235NPT15	2" N.P.T.	11.5	50mm	1.5mm	60	33	6

Nominal Dimensions

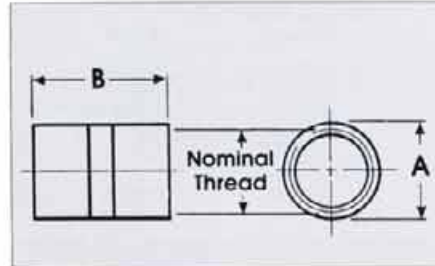
Couplings

Metric couplings

Metric Conduit Threads comply with AS2052 and AS1721 Certificate of Suitability No. CS/792/S.



1242 Series



Brass

Catalogue Number	Nominal Thread	Pitch	A O/A Dia.	B O/A Length
1242/16	16mm	1.5mm	19.2	27
1242/20	20mm	1.5mm	24	30
1242/25	25mm	1.5mm	28.5	35
1242/32	32mm	1.5mm	36.8	40

Nominal Dimensions

Steel Zinc Plated

Catalogue Number	Nominal Thread	Pitch	A O/A Dia.	B O/A Length
1242S16	16mm	1.5mm	19	28
1242S20	20mm	1.5mm	22	30
1242S25	25mm	1.5mm	30	35.5
1242S32	32mm	1.5mm	36	49.5

Nominal Dimensions

Cast Galvanised

Catalogue Number	Nominal Thread	Pitch	Hexagon A/F	B O/A Length
1242S40	40mm	1.5mm	47	48.5
1242S50	50mm	1.5mm	56	53

Nominal Dimensions

Adaptor Couplings B.S.P. to Metric Adaptor Couplings

Metric Conduit Threads comply with AS2052 and

AS1721, British Standard Pipe Threads comply with BS2779 and AS1722.2.

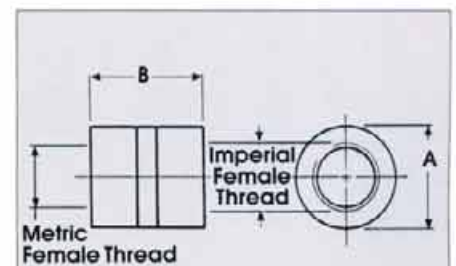
Certificate of Suitability No. CS/792/S. Material, Brass.

Catalogue Number	Female B.S.P. Thread	Pitch TPI	Female Metric Thread	Pitch	A O/A Dia.	B O/A Length
1242BSP15/16	15mm (1/2" B.S.P.)	14	16mm	1.5mm	24	40
1242BSP15/20	15mm (1/2" B.S.P.)	14	20mm	1.5mm	24	35
1242BSP20/20	20mm (3/4" B.S.P.)	14	20mm	1.5mm	30	35
1242BSP20/25	20mm (3/4" B.S.P.)	14	25mm	1.5mm	30	35
1242BSP25/20	25mm (1" B.S.P.)	11	20mm	1.5mm	36	37
1242BSP25/25	25mm (1" B.S.P.)	11	25mm	1.5mm	36	39
1242BSP25/32	25mm (1" B.S.P.)	11	32mm	1.5mm	37	42
1242BSP32/40	32mm (1 1/4" B.S.P.)	11	40mm	1.5mm	45	45
1242BSP32/32	32mm (1 1/4" B.S.P.)	11	32mm	1.5mm	45	50
1242BSP32/25	32mm (1 1/4" B.S.P.)	11	25mm	1.5mm	45	50
1242BSP40/40	40mm (1 1/2" B.S.P.)	11	40mm	1.5mm	51	45
1242BSP40/32	40mm (1 1/2" B.S.P.)	11	32mm	1.5mm	51	48
1242BSP40/25	40mm (1 1/2" B.S.P.)	11	25mm	1.5mm	51	49

Nominal Dimensions



1242BSP Series



Metric to Imperial Adaptor Couplings

Metric Conduit Threads comply with AS2052 and AS1721, Imperial Conduit Threads comply with ASC66.1 and AS1722.2.

Catalogue Number	Female Metric Thread	Pitch	Female Imperial Thread	Pitch TPI	A O/A Dia.	B O/A Length
1242AC20	20mm	1.5mm	¾"	16	24	34
1242AC25	25mm	1.5mm	1"	16	30	34

Nominal Dimensions

Barrel Unions

Metric Conduit Threads comply with AS2052 and

AS1721, Material, Brass or Steel.
Certificate of Suitability
No. CS/792/S.

Brass

Catalogue Number	Nominal Thread	Pitch	A O/A Dia	B O/A Length	C
1242BU16	16mm	1.5mm	30	36	12.7
1242BU20	20mm	1.5mm	33	37.5	14
1242BU25	25mm	1.5mm	38	40	14

Nominal Dimensions

Steel

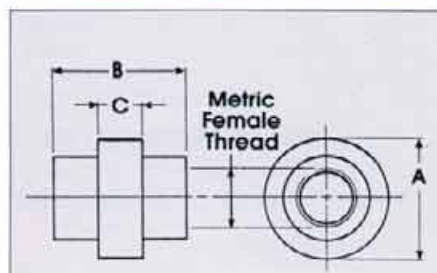
1242BU16	16mm	1.5mm	30	32	12
1242BU20	20mm	1.5mm	33	36.5	13
1242BU25	25mm	1.5mm	38	39	15

Nominal Dimensions

Cast Galvanised

Catalogue Number	Nominal Thread	Pitch	Hexagon A/F	B O/A Length	C
1242BUS32	32mm	1.5mm	60.5	60	25
1242BUS40	40mm	1.5mm	70	65	28
1242BUS50	50mm	1.5mm	79	73	29

Nominal Dimensions



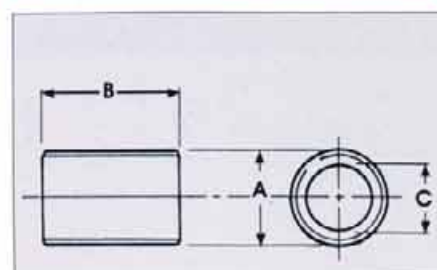
Nipples

Metric Nipples

Metric Conduit Threads comply with AS2052 and AS1721, Certificate of Suitability No. CS/792/S.

Catalogue Number	Nominal Thread	Pitch	Material	A O/A Dia.	B O/A Length	C
1243/16	16mm	1.5mm	Brass	16	26	11
1243/20	20mm	1.5mm	Brass	20	30	15
1243/25	25mm	1.5mm	Brass	25	32	18
1243/32	32mm	1.5mm	Brass	32	37	23
1243/40	40mm	1.5mm	Brass	40	40	34
1243/50	50mm	1.5mm	Brass	50	45	38
1243S16	16mm	1.5mm	Steel	16	25	13
1243S20	20mm	1.5mm	Steel	20	28	17
1243S25	25mm	1.5mm	Steel	25	33	22
1243S32	32mm	1.5mm	Steel	32	38	28
1243S40	40mm	1.5mm	Steel	40	38	36.5
1243S50	50mm	1.5mm	Steel	50	38	46

Nominal Dimensions



Imperial Nipples

Imperial Conduit Threads comply with ASC66.1 and AS1722.2.

Catalogue Number	Nominal Thread	Pitch TPI	Material	A O/A Dia.	B O/A Length	C
1243/3/4	3/4"	16	Brass	19	29	14

Nominal Dimensions

Brass Thread Nipples

"Brass" Threads (Whitworth form, 26TPI). Comply with BS84.

Catalogue Number	Nominal Thread	Pitch TPI	Material	A O/A Dia.	B O/A Length	C
1243/3/8	3/8"	26	Brass	9.5	25	6.5
1243/1/2	1/2"	26	Brass	12.7	25	9.5

Nominal Dimensions

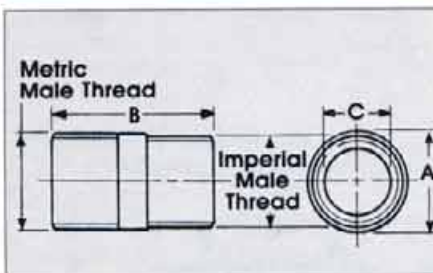
Adaptor Nipples Metric to Imperial Adaptor Nipples.

Metric Conduit Threads comply with AS2052 and AS1721.

Imperial Conduit Threads comply with ASC66.1 and AS1722.2.



1243AN Series



Catalogue Number	Metric Thread		Imperial Thread		Mat.	A	B	C
	Nominal	Pitch	Nominal	Pitch				
1243AN20	20mm	1.5mm	3/4"	16 TPI	Brass	20	36	14
1243AN25	25mm	1.5mm	1"	16 TPI	Brass	25.4	40	20

Nominal Dimensions

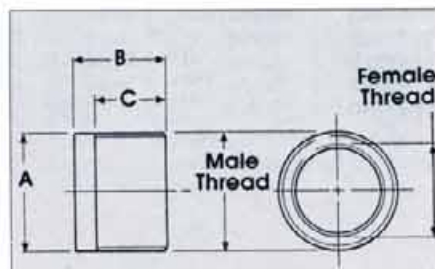
Reducers

Metric Reducers

Metric Conduit Threads comply with AS2052 and AS1721.



1264M Series



Cat. Number	Metric Threads				Material	A	B	C
	Male Nominal	Pitch	Female Nominal	Pitch				
1264/1M	20mm	1.5mm	16mm	1.5mm	Brass	20	17	13
1264/2M	25mm	1.5mm	20mm	1.5mm	Brass	25	21	16
1264/3M	32mm	1.5mm	25mm	1.5mm	Brass	32	24	20
1264/4M	40mm	1.5mm	32mm	1.5mm	Brass	40	25	20
1264/5M	50mm	1.5mm	40mm	1.5mm	Brass	50	26	20
1264/6M	63mm	1.5mm	50mm	1.5mm	Brass	63	32	25
1264S7M	40mm	1.5mm	25mm	1.5mm	Steel	42	20	13.5
1264S8M	50mm	1.5mm	25mm	1.5mm	Steel	50	20	16
1264S9M	50mm	1.5mm	32mm	1.5mm	Steel	50	20	14.5
1264/10M	40mm	1.5mm	25mm	1.5mm	Brass	40	25	20
1264S1M	20mm	1.5mm	16mm	1.5mm	Steel	20	20	15
1264S2M	25mm	1.5mm	20mm	1.5mm	Steel	25	23	16
1264S3M	32mm	1.5mm	25mm	1.5mm	Steel	33	26	18
1264S4M	40mm	1.5mm	32mm	1.5mm	Steel	42	26	18
1264S5M	50mm	1.5mm	40mm	1.5mm	Steel	50	30	24

Nominal Dimensions

Imperial Reducers

Imperial Conduit Threads, comply with ASC66.1 and AS1722.2

Cat. Number	Imperial Threads				Material	A	B	C
	Male Nominal	Pitch	Female Nominal	Pitch				
1264/1	¾"	16 TPI	5/8"	18 TPI	Brass	19	19	15
1264/2	1"	16 TPI	¾"	16 TPI	Brass	25	22	17.5
1264/3	1¼"	16 TPI	1"	16 TPI	Brass	32	23	18
1264/4	1½"	14 TPI	1¼"	16 TPI	Brass	38	25	19
1264/5	2"	14 TPI	1½"	14 TPI	Steel	51	26	19

Nominal Dimensions

Brass Thread Reducers

"Brass" Threads (Whitworth form, 26TPI), comply with BS84.

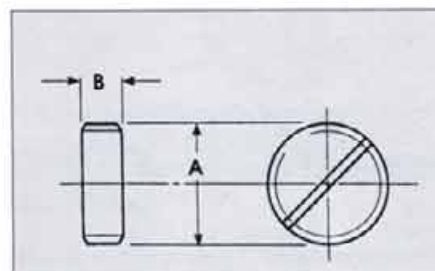
Cat. Number	Imperial Threads				Material	A	B	C
	Male Nominal	Pitch	Female Nominal	Pitch				
1264/0	½"	26 TPI	3/8"	26 TPI	Brass	14	8	6

Nominal Dimensions

Conduit Plugs

Metric Conduit Threads comply with AS2052 and AS1721.

Certificate of Suitability No. CS/792/S.



Catalogue Number	Metric Threads		A O/A Dia.	B O/A Length
	Male Nominal	Pitch		
1220S16	16mm	1.5mm	16	8
1220S20	20mm	1.5mm	20	8
1220S25	25mm	1.5mm	25	10
1220S32	32mm	1.5mm	32	10
1220S40	40mm	1.5mm	40	10
1220S50	50mm	1.5mm	50	10

Nominal Dimensions

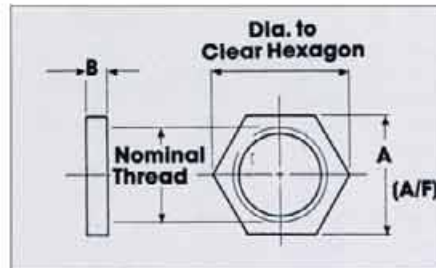
Lock Nuts

Metric Locknuts

Metric Conduit Threads comply with AS2052 and AS1721.



1259B20



Catalogue Number	Metric Thread		Material	A (A/F)	B	Dia.
	Nominal	Pitch				
1259B16	16mm	1.5mm	Brass	21mm	4.5	24
1259B20	20mm	1.5mm	Brass	26mm	4.5	30
1259B25	25mm	1.5mm	Brass	32mm	5	37
1259B32	32mm	1.5mm	Brass	40mm	5.5	46
1259B40	40mm	1.5mm	Brass	45mm	6	52
1259B50	50mm	1.5mm	Brass	57mm	7	66
1259B63	63mm	1.5mm	Brass	75mm	8.5	83
1259S16	16mm	1.5mm	Steel	23mm	3	27
1259S20	20mm	1.5mm	Steel	28mm	4	33
1259S25	25mm	1.5mm	Steel	37mm	4	43
1259S32	32mm	1.5mm	Steel	42mm	4	48
1259S40	40mm	1.5mm	Steel	52mm	5	60
1259S50	50mm	1.5mm	Steel	65mm	5	75

Nominal Dimensions

Imperial Locknuts

Imperial Conduit Threads, comply with ASC66.1 and AS1722.2.



1259B^{3/4}

Catalogue Number	Imperial Thread		Material	A (A/F)	B	Dia.
	Nominal	Pitch				
1259B ^{5/8}	⁵ / ₈ "	18 TPI	Brass	21mm	4.5	24
1259B ^{3/4}	³ / ₄ "	16 TPI	Brass	25.4mm	4.5	30
1259B1	1"	16 TPI	Brass	32mm	5	37
1259B1 ^{1/4}	1 ¹ / ₄ "	16 TPI	Brass	40mm	5	46
1259B1 ^{1/2}	1 ¹ / ₂ "	14 TPI	Brass	45mm	6	52
1259B2	2"	14 TPI	Brass	58mm	8	67

Nominal Dimensions

Brass Thread Locknuts

"Brass" Threads (Whitworth form, 26TPI), comply with BS84.

Catalogue Number	Imperial Thread		Material	A (A/F)	B	Dia.
	Nominal	Pitch				
1259B ^{3/8}	³ / ₈ "	26 TPI	Brass	13mm	4	15
1259B ^{1/2}	¹ / ₂ "	26 TPI	Brass	16mm	4	19

Nominal Dimensions

Pg. Lock Nuts

European Conduit Threads, comply with DIN 40430.

Catalogue Number	Pg Thread		Material	A (A/F)	B	Dia.
	Nominal	Pitch				
1259Pg13	13.5	18 TPI	Brass	25.4	4.5	29.3
1259Pg16	16	18 TPI	Brass	25.4	5	29.3
1259Pg21	21	16 TPI	Brass	35	5	40.4
1259Pg29	29	16 TPI	Brass	44.5	6	51.4

Nominal Dimensions

B.S.P. Locknuts

B.S.P. Threads, comply with BS2779 and AS1722.2.

Catalogue Number	Imperial Thread		Material	A (A/F)	B	Dia.
	Nominal	Pitch				
1259BSP1	1"	11 TPI	Brass	40mm	6mm	46mm

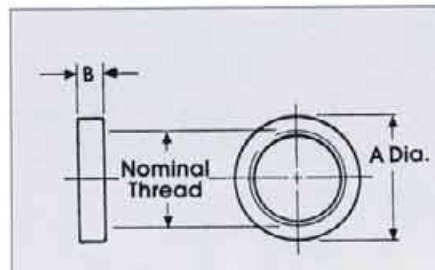
Nominal Dimensions

Lock Rings

Metric Conduit Threads, comply with AS2052 and AS1721.



1260B Series



Catalogue Number	Metric Thread		Material	A Dia.	B
	Nominal	Pitch			
1260B16	16mm	1.5mm	Brass	19	4.5
1260B20	20mm	1.5mm	Brass	24	5
1260B25	25mm	1.5mm	Brass	29	5
1260B32	32mm	1.5mm	Brass	37	5.5

Nominal Dimensions

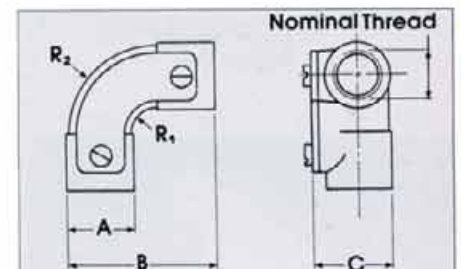
Inspection Elbows - Galvanised Cast Iron.

Supplied complete with Zinc Plated lid, 2 x 3/16" BSW Stainless Steel Screws.

Protection Class — M.P.
Bodies — H.P.
Lids — M.P.

Metric Conduit Threads comply with AS2052 and AS1721. Certificate of Suitability No. CS/792/S.

Heavy duty models (IP66) available on request.



1244 Series

Catalogue Number	Metric Thread		Radial				
	Nom.	Pitch	A	B	C	Inside R ¹	Outside R ²
1244/16	16mm	1.5mm	22	49	26	7	28
1244/20	20mm	1.5mm	26	57	31	8	34
1244/25	25mm	1.5mm	33	67	36	12	42
1244/32	32mm	1.5mm	40	79	44	10	45
1244/40	40mm	1.5mm	47	95	52	13	58
1244/50	50mm	1.5mm	60	116	63	25	80

Nominal Dimensions

Solid Elbows — Galvanised Cast Iron

Protection class - HP. Metric Conduit Threads comply with AS2052 and AS1721. Certificate of Suitability No. CS/792/S.



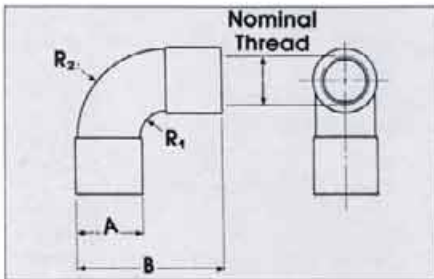
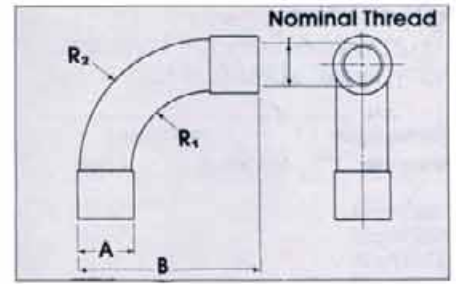
1245 Series

Solid Bends — Galvanised Cast Iron

Protection class — HP. Metric Conduit Threads comply with AS2052 and AS1721. Certificate of Suitability No. CS/792/S.



1247 Series



Catalogue Number	Metric Thread		A	B	Radii	
	Nom.	Pitch			Inside R ¹	Outside R ²
1247/16	16mm	1.5mm	22	71	30	50
1247/20	20mm	1.5mm	27	80	35	60
1247/25	25mm	1.5mm	32	101	50	80
1247/32	32mm	1.5mm	40	136	70	105
1247/40	40mm	1.5mm	48	182	105	150
1247/50	50mm	1.5mm	59	265	200	255

Nominal Dimensions

Catalogue Number	Metric Thread		A	B	Radii	
	Nom.	Pitch			Inside R ¹	Outside R ²
1245/16	16mm	1.5mm	22	49	7	27
1245/20	20mm	1.5mm	27	56	7	32
1245/25	25mm	1.5mm	32	68	12	40
1245/32	32mm	1.5mm	40	79	14	50
1245/40	40mm	1.5mm	47	95	25	80
1245/50	50mm	1.5mm	60	118	25	80

Nominal Dimensions

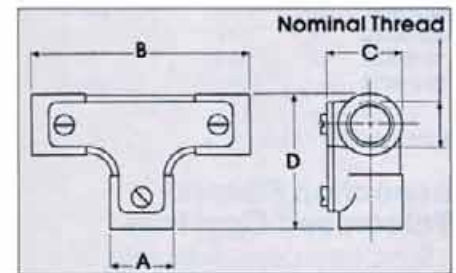
Inspection Tees — Galvanised Cast Iron

Supplied complete with Zinc Plated lid, 3 x 3/16" BSW Stainless Steel screws.

Protection class — MP
bodies — HP
lids — MP

Metric Conduit Threads comply with AS2052 and AS1721. Certificate of Suitability No. CS/792/S.

Heavy duty models (IP66) available on request.



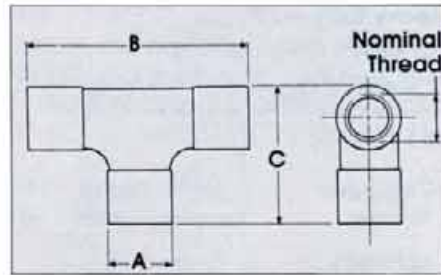
1246 Series

Catalogue Number	Metric Thread		A	B	C	D
	Nom.	Pitch				
1246/16	16mm	1.5mm	22	76	26	49
1246/20	20mm	1.5mm	27	88	30	56
1246/25	25mm	1.5mm	32	103	36	67
1246/32	32mm	1.5mm	40	120	44	80
1246/40	40mm	1.5mm	48	142	52	94
1246/50	50mm	1.5mm	59	174	63	115

Nominal Dimensions

Solid Tees — Galvanised Cast Iron

Protection class — HP
Metric Conduit Threads
comply with AS2052 and
AS1721. Certificate of Suitability
No. CS/792/S.



Catalogue Number	Metric Thread		A	B	C
	Nominal	Pitch			
1246S16	16mm	1.5mm	22	76	48
1246S20	20mm	1.5mm	27	88	56
1246S25	25mm	1.5mm	32	104	67
1246S32	32mm	1.5mm	40	120	79
1246S40	40mm	1.5mm	48	144	94
1246S50	50mm	1.5mm	59	175	115

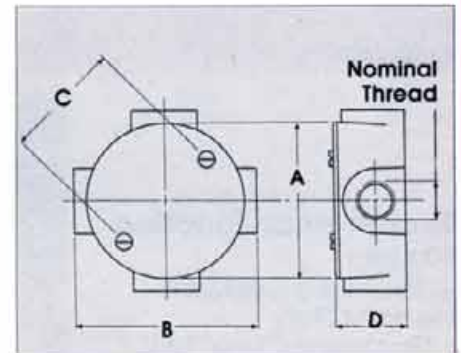
Nominal Dimensions

Round Junction Boxes Galvanised Cast Iron - Medium Duty

Protection Class - MP. Supplied
complete with, Zinc plated lid,
2 x 3/16" BSW Stainless Steel
screws. Junction Boxes comply
with AS2052. Metric conduit
screw threads, comply with
AS1721. Certificate of Suitability
No. CS/792/S.

Customised J-boxes requiring
varying thread sizes and types
are available on special
request.

Contact your nearest Clipsal
office for details.



Entry Arrangement

1 Way	Through 2 Way	Angle 2 Way	3 Way	4 Way

Medium Duty — MP

Catalogue Number	Metric Thread		Number of Entries	A Dia.	B O/A Sq.	C Centres	D Depth
	Nominal	Pitch					
1239/16/1	16mm	1.5mm	1	66	77	50	30
1239/16/2	16mm	1.5mm	2 Through				
1239/16/2A	16mm	1.5mm	2 Angle				
1239/16/3	16mm	1.5mm	3				
1239/16/4	16mm	1.5mm	4				
1239/20/1	20mm	1.5mm	1	66	77	50	30
1239/20/2	20mm	1.5mm	2 Through				
1239/20/2A	20mm	1.5mm	2 Angle				
1239/20/3	20mm	1.5mm	3				
1239/20/4	20mm	1.5mm	4				
1240/25/1	25mm	1.5mm	1	82	96	64	40
1240/25/2	25mm	1.5mm	2 Through				
1240/25/2A	25mm	1.5mm	2 Angle				
1240/25/3	25mm	1.5mm	3				
1240/25/4	25mm	1.5mm	4				

Nominal Dimensions

Heavy Duty

Heavy Duty IP66 Conversion Kits. For conversion of medium duty J-boxes to IP66 rated, Heavy Duty equivalents.

Kits include heavy gauge lid, gasket and 2 - 10mm x 3/16" B.S.W. Stainless Steel screws.

Kits available,

1239HL — Heavy duty lid, gasket and screws for **1239/16** and **1239/20 Series** J-boxes.

1240HL — Heavy duty lid, gasket and screws for **1240/25 Series** J-boxes.



Rectangular Junction Boxes

Galvanised Cast Iron - Medium Duty

Protection Class - M.P.
Supplied complete with, Zinc plated lid,
4 x 3/16" B.S.W. Stainless Steel screws.

Junction Boxes comply with AS2052. Metric conduit screw threads comply with AS1721 Certificate of Suitability No. CS/792/S.

Customised J-boxes requiring varying thread sizes and types are available on special request.

Contact your nearest Clipsal office for details

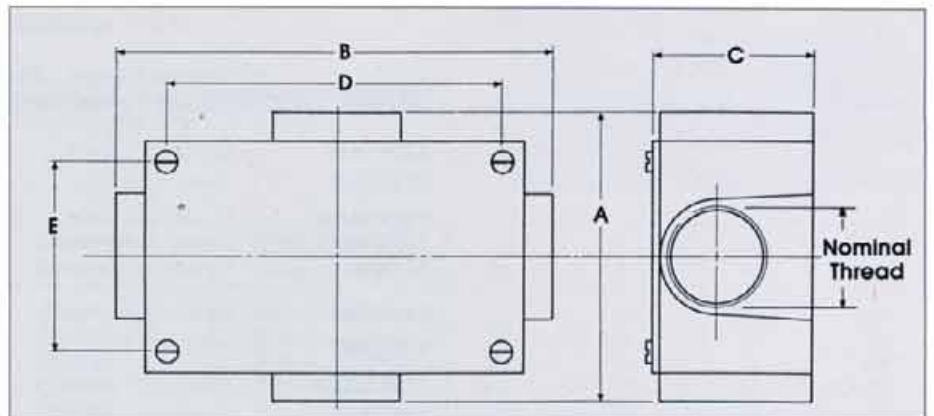
Heavy Duty — HP

Heavy duty Junction Boxes are suitable for hazardous locations Class 2, Divisions 1 and 2. Type of protection DIP T6 IP66.

Explosions Protected Electrical Equipment.
Certificate No. EX. 676.
Complies with AS2236.

Catalogue Number	Metric Thread		Number of Entries	A Dia.	B O/A Sq.	C Centres	D Depth
	Nominal	Pitch					
1239H16/1	16mm	1.5mm	1	66	77	50	33
1239H16/2	16mm	1.5mm	2 Through				
1239H16/2A	16mm	1.5mm	2 Angle				
1239H16/3	16mm	1.5mm	3				
1239H16/4	16mm	1.5mm	4				
1239H20/1	20mm	1.5mm	1	66	77	50	33
1239H20/2	20mm	1.5mm	2 Through				
1239H20/2A	20mm	1.5mm	2 Angle				
1239H20/3	20mm	1.5mm	3				
1239H20/4	20mm	1.5mm	4				
1240H25/1	25mm	1.5mm	1	82	96	64	44
1240H25/2	25mm	1.5mm	2 Through				
1240H25/2A	25mm	1.5mm	2 Angle				
1240H25/3	25mm	1.5mm	3				
1240H25/4	25mm	1.5mm	4				

Nominal Dimensions



Entry Arrangement



Medium Duty — MP

Catalogue Number	Metric Thread		Number of Entries	A Width	B Length	C Height	D Centres	E Centres
	Nominal	Pitch						
1252/32/1	32mm	1.5mm	1	92	120	51	106	60
1252/32/2	32mm	1.5mm	2 Through	74	155			
1252/32/2A	32mm	1.5mm	2 Angle	92	138			
1252/32/3	32mm	1.5mm	3	92	155			
1252/32/4	32mm	1.5mm	4	109	155			
1252/40/1	40mm	1.5mm	1	106	126	61	130	70
1252/40/2	40mm	1.5mm	2 Through	86	186			
1252/40/2A	40mm	1.5mm	2 Angle	106	156			
1252/40/3	40mm	1.5mm	3	106	186			
1252/40/4	40mm	1.5mm	4	126	186			
1252/50/1	50mm	1.5mm	1	122	170	76	152	82
1252/50/2	50mm	1.5mm	2 Through	100	213			
1252/50/2A	50mm	1.5mm	2 Angle	122	192			
1252/50/3	50mm	1.5mm	3	122	213			
1252/50/4	50mm	1.5mm	4	143	213			

Nominal Dimensions

Heavy Duty

Heavy Duty IP66 Conversion Kits. For conversion of medium duty J-boxes to IP66 rated, Heavy Duty equivalents.

Kits include, heavy gauge lid, gasket, and 4 - 10mm x 3/16" B.S.W. Stainless Steel screws.

Kits Available

1252HL32 — Heavy Duty lid, gasket and screws for **1252/32 Series** J-boxes.

1252HL40 — Heavy Duty lid, gasket and screws for **1252/40 Series** J-boxes.

1252HL50 — Heavy Duty lid, gasket and screws for **1252/50 Series** J-boxes.



1252H Series

Heavy Duty — HP

Heavy Duty Junction Boxes are suitable for hazardous locations Class 2, Divisions 1 and 2. Type of protection DIP T6 IP66.

Explosion Protected Electrical Equipment.

Certificate No. Ex. 676.

Complies with AS2236.

Catalogue Number	Metric Thread		Number of Entries	A Width	B Length	C Height	D Centres	E Centres
	Nominal	Pitch						
1252H32/1	32mm	1.5mm	1	92	120	55	106	60
1252H32/2	32mm	1.5mm	2 Through	74	155			
1252H32/2A	32mm	1.5mm	2 Angle	92	138			
1252H32/3	32mm	1.5mm	3	92	155			
1252H32/4	32mm	1.5mm	4	109	155			
1252H40/1	40mm	1.5mm	1	106	126	65	130	70
1252H40/2	40mm	1.5mm	2 Through	86	186			
1252H40/2A	40mm	1.5mm	2 Angle	106	156			
1252H40/3	40mm	1.5mm	3	106	186			
1252H40/4	40mm	1.5mm	4	126	186			
1252H50/1	50mm	1.5mm	1	122	170	80	152	82
1252H50/2	50mm	1.5mm	2 Through	100	213			
1252H50/2A	50mm	1.5mm	2 Angle	122	192			
1252H50/3	50mm	1.5mm	3	122	213			
1252H50/4	50mm	1.5mm	4	143	213			

Nominal Dimensions

Screw thread data

Metric Conduit Threads, 60° Thread form

Nominal Specs.	Outside Diameter	Pitch		Thread		Standard Applied
		Metric	T.P.I.	Angle	Depth	
16	16	1.5mm	17 approx.	60°	0.88	AS1721 Tolerance Class External 8g Internal 7H
20	20	1.5mm	17 approx.	60°	0.88	
25	25	1.5mm	17 approx.	60°	0.88	
32	32	1.5mm	17 approx.	60°	0.88	
40	40	1.5mm	17 approx.	60°	0.88	
50	50	1.5mm	17 approx.	60°	0.88	
63	63	1.5mm	17 approx.	60°	0.88	
80	88	2.31mm	11	55°	1.48	AS1722.2
100	113	2.31mm	11	55°	1.48	
150	164	2.31mm	11	55°	1.48	

Imperial Conduit Threads, 55° Whitworth form

Nominal Specs.	Outside Diameter	Pitch		Thread		Standard Applied
		Metric	T.P.I.	Angle	Depth	
1/2"	12.7	1.41mm	18	55°	0.90	ASC66.1 ASB47 AS1722.2
5/8"	16	1.41mm	18	55°	0.90	
3/4"	19	1.59mm	16	55°	1.0	
1"	25.4	1.59mm	16	55°	1.0	
1 1/4"	31.8	1.59mm	16	55°	1.0	
1 1/2"	38	1.81mm	14	55°	1.16	
2"	50.8	1.81mm	14	55°	1.16	
2 1/2"	63.5	1.81mm	14	55°	1.16	
3"	88	2.31mm	11	55°	1.48	AS1722.2
4"	113	2.31mm	11	55°	1.48	
6"	164	2.31mm	11	55°	1.48	

European Conduit Threads (Pg) 80° Thread form

Nominal Specs.	Outside Diameter	Pitch		Thread		Standard Applied
		Metric	T.P.I.	Angle	Depth	
Pg9	15.2	1.41mm	18	80°	0.67	DIN 40430
Pg11	18.6	1.41mm	18	80°	0.67	
Pg13.5	20.4	1.41mm	18	80°	0.67	
Pg16	22.5	1.41mm	18	80°	0.67	
Pg21	28.3	1.59mm	16	80°	0.76	
Pg29	37	1.59mm	16	80°	0.76	
Pg36	47	1.59mm	16	80°	0.76	
Pg42	54	1.59mm	16	80°	0.76	
Pg48	59.3	1.59mm	16	80°	0.76	

British Standard Pipe Threads (B.S.P.) Whitworth form

Nominal Specs.	Outside Diameter	Pitch		Thread		Standard Applied
		Metric	T.P.I.	Angle	Depth	
1/2"	20.95	1.81mm	14	55°	1.16	BS2779
3/4"	26.44	1.81mm	14	55°	1.16	
1"	33.25	2.31mm	11	55°	1.48	
1 1/4"	41.91	2.31mm	11	55°	1.48	
1 1/2"	47.80	2.31mm	11	55°	1.48	
2"	59.61	2.31mm	11	55°	1.48	
2 1/2"	75.18	2.31mm	11	55°	1.48	

Brass Thread (26TPI) Whitworth form

Nominal Specs.	Outside Diameter	Pitch		Thread		Standard Applied
		Metric	T.P.I.	Angle	Depth	
3/8"	9.52	0.98	26	55°	0.63	BS84
1/2"	12.70	0.98	26	55°	0.63	
3/4"	19	0.98	26	55°	0.63	

National Pipe Taper Threads (NPT) 60° Thread form

Nominal Specs.	Outside Diameter	Pitch		Thread		Standard Applied
		Metric	T.P.I.	Angle	Depth	
1/2"	21.3	1.81	14	60°	1.36	USAS B2.1
3/4"	26.67	1.81	14	60°	1.36	
1"	33.40	2.27	11.5	60°	1.68	
1 1/4"	42.16	2.27	11.5	60°	1.68	
1 1/2"	48.26	2.27	11.5	60°	1.68	
2"	60.32	2.27	11.5	60°	1.68	

Flameproof Metal Conduit Fittings

For hazardous situations, Clipsal now offer a range of approved Flameproof Metal Conduit Fittings.

These solid brass machined fittings, are suitable for shipping,

oilrigs, refineries, mines, silos, petrochemical plants etc.

All fittings have been tested to AS2236, AS2380.1 and AS2480 as applicable and given the approvals classifications; Exd II CT6, Aus Ex 492, DIP 153 and MDCA Exd 1262.

The standard range includes Plugs, N.P.T. Adaptors, Couplings,

Long Screw Unions, Hexagon Nipples, Locknuts and Reducers. Other thread sizes are available to special order.

Long Screw Unions perform the same function as Barrel Unions or running threads and are smaller overall diameter and easier to use.

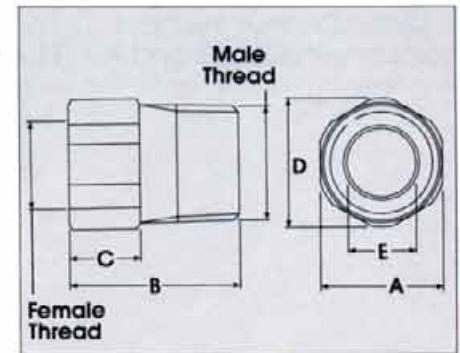
N.P.T. Adaptors

Metric Conduit Threads comply with AS2052 and AS1721.

National Pipe Taper Threads comply with USAS B2.1.



F1235NPT Series



Catalogue Number	Male Thread		Female Thread		A Hex	B Length	C	D Dia.	E Dia.
	N.P.T.	Pitch T.P.I.	Nominal	Pitch					
F1235NPT1	1/2"	14	20mm	1.5mm	24	47	25	27	13.5
F1235NPT2	3/4"	14	20mm	1.5mm	27	38	16	30	15.5
F1235NPT3	3/4"	14	25mm	1.5mm	32	49	26	35	19
F1235NPT4	1"	11.5	20mm	1.5mm	35	36	8	39	16
F1235NPT5	1"	11.5	25mm	1.5mm	35	36	8	39	21
F1235NPT6	1"	11.5	32mm	1.5mm	38.5	60	32	42	24

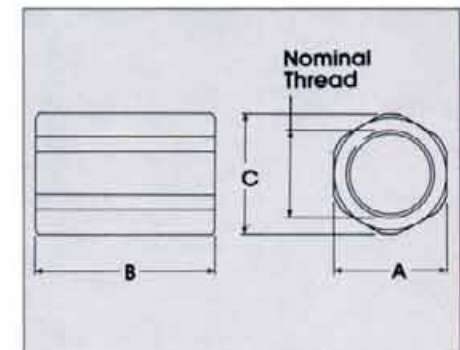
Nominal Dimensions

Couplings

Metric Conduit threads comply with AS2052 and AS1721.



F1242 Series

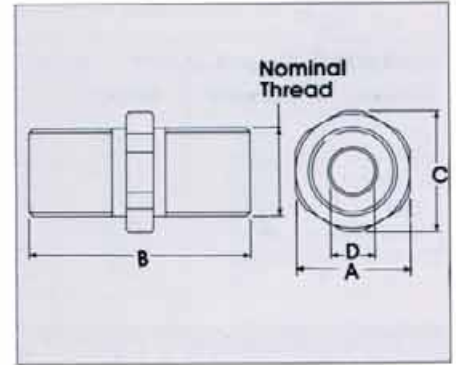


Catalogue Number	Metric Thread		A Hex	B Length	C Dia.
	Nominal	Pitch			
F1242/20	20mm	1.5mm	25.5	38	28
F1242/25	25mm	1.5mm	32	41	35
F1242/32	32mm	1.5mm	38.5	48	42

Nominal Dimensions

Hexagon Nipples

Metric Conduit threads comply with AS2052 and AS1721.

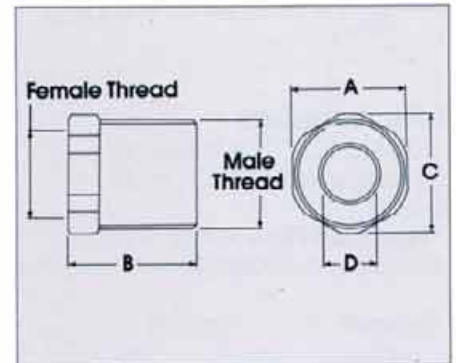


Catalogue Number	Metric Thread		A Hex.	B Length	C Dia.	D Dia.
	Nom.	Pitch				
F1243H20	20mm	1.5mm	22.5	46	24.5	14
F1243H25	25mm	1.5mm	29	51	31.5	20
F1243H32	32mm	1.5mm	35	60	39	25

Nominal Dimensions

Reducers

Metric Conduit threads comply with AS2052 and AS1721.

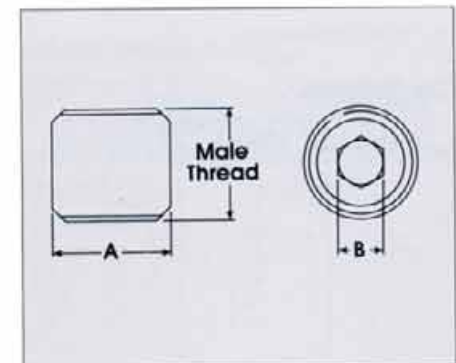


Catalogue Number	Male Thread		Female Thread		A Hex	B Lgth.	C Dia.	D Dia.
	Nom.	Pitch	Nom.	Pitch				
F1264/1M	20mm	1.5mm	16mm	1.5mm	22.5	26	23.5	12.5
F1264/2M	25mm	1.5mm	20mm	1.5mm	29	29	30.5	16
F1264/3M	32mm	1.5mm	25mm	1.5mm	35	34	37	21

Nominal Dimensions

Plugs

Metric Conduit Threads comply with AS2052 and AS1721.



Catalogue Number	Male Thread		A Length	B Hex.
	Nominal	Pitch		
F1220S20	20mm	1.5mm	20	8
F1220S25	25mm	1.5mm	23	14
F1220S32	32mm	1.5mm	26	14

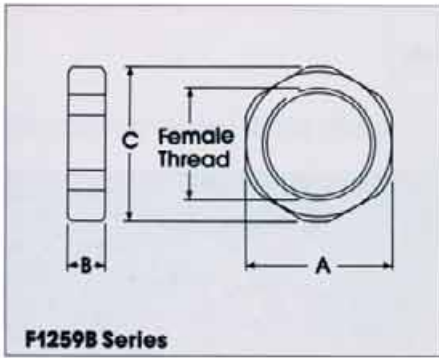
Nominal Dimensions

Lock Nuts

Metric Conduit Threads comply with AS2052 and AS1721.



F1259B Series



F1259B Series

Catalogue Number	Female Thread		A	B	C
	Nominal	Pitch			
F1259B20	20mm	1.5mm	25.5	6.5	28
F1259B25	25mm	1.5mm	32	7	35
F1259B32	32mm	1.5mm	38.5	8	42

Nominal Dimensions

Round Junction Boxes

Heavy duty Round Junction Boxes comply with AS2236. Explosion Protected Electrical Equipment. Certificate No. Ex676. Suitable for Hazardous locations Class 2, Divisions 1 and 2. Type of protection DIP T6 IP66.



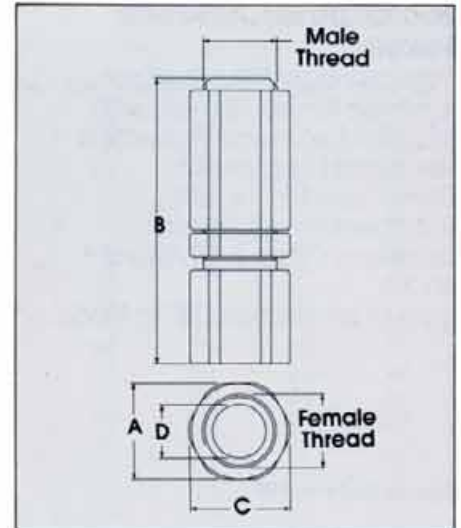
1239H Series

Long Screw Unions

Metric Conduit Threads comply with AS2052 and AS1721.



F1242LU Series



Catalogue Number	Male Thread		Female Thread		A Hex	B Length	C Dia.	D Dia.
	Nominal	Pitch	Nominal	Pitch				
F1242LU20	20mm	1.5mm	20mm	1.5mm	25.5	77	28	14
F1242LU25	25mm	1.5mm	25mm	1.5mm	32	86	35	18
F1242LU32	32mm	1.5mm	32mm	1.5mm	38.5	97	42	25

Nominal Dimensions

For complete detail see Screwed Metal Conduit Fittings on page 13.

Heavy Duty — HP

Catalogue Number	Metric Thread		Number of Entries	A Dia.	B O/A Sq.	C Centres	D Depth
	Nominal	Pitch					
1239H16/1	16mm	1.5mm	1	66	77	50	33
1239H16/2	16mm	1.5mm	2 Through				
1239H16/2A	16mm	1.5mm	2 Angle				
1239H16/3	16mm	1.5mm	3				
1239H16/4	16mm	1.5mm	4				
1239H20/1	20mm	1.5mm	1	66	77	50	33
1239H20/2	20mm	1.5mm	2 Through				
1239H20/2A	20mm	1.5mm	2 Angle				
1239H20/3	20mm	1.5mm	3				
1239H20/4	20mm	1.5mm	4				
1240H25/1	25mm	1.5mm	1	82	96	64	44
1240H25/2	25mm	1.5mm	2 Through				
1240H25/2A	25mm	1.5mm	2 Angle				
1240H25/3	25mm	1.5mm	3				
1240H25/4	25mm	1.5mm	4				

Nominal Dimensions

Rectangular Junction Boxes

Heavy duty Rectangular Junction Boxes comply with AS2236. Explosion Protected Electrical Equipment. Certificate No. Ex. 676. Suitable for hazardous locations Class 2, Divisions 1 and 2. Type of protection DIP T6 IP66.



1252H Series

Heavy Duty — HP

Catalogue Number	Metric Thread		Number of Entries	A Width	B Length	C Height	D Centres	E Centres
	Nominal	Pitch						
1252H32/1	32mm	1.5mm	1	92	120	55	106	60
1252H32/2	32mm	1.5mm	2 Through	74	155			
1252H32/2A	32mm	1.5mm	2 Angle	92	138			
1252H32/3	32mm	1.5mm	3	92	155			
1252H32/4	32mm	1.5mm	4	109	155			
1252H40/1	40mm	1.5mm	1	106	126	65	130	70
1252H40/2	40mm	1.5mm	2 Through	86	186			
1252H40/2A	40mm	1.5mm	2 Angle	106	156			
1252H40/3	40mm	1.5mm	3	106	186			
1252H40/4	40mm	1.5mm	4	126	186			
1252H50/1	50mm	1.5mm	1	122	170	80	152	82
1252H50/2	50mm	1.5mm	2 Through	100	213			
1252H50/2A	50mm	1.5mm	2 Angle	122	192			
1252H50/3	50mm	1.5mm	3	122	213			
1252H50/4	50mm	1.5mm	4	143	213			

Nominal Dimensions

For complete detail see Screwed Metal Conduit Fittings on page 14.

Fixing Accessories

Plated Saddles



170M Series

Cat. Number	Nominal Size	Finish	Hole Diameter	Centres	Length	Width	Height
170GM	12.7mm	Zinc Plate	5	28	40	13	14
170M	12.7mm	Black Zinc	5	28	40	13	14
171GM	16mm	Zinc Plate	5	32	45	13	18
171M	16mm	Black Zinc	5	32	45	13	18
172GM	20mm	Zinc Plate	5	39	50	16	23
172M	20mm	Black Zinc	5	39	50	16	23
173GM	25mm	Zinc Plate	5	48	62	19	28
173M	25mm	Black Zinc	5	48	62	19	28
174GM	32mm	Zinc Plate	6	63	79	25	35
174M	32mm	Black Zinc	6	63	79	25	35
175GM	40mm	Zinc Plate	6	71	87	25	44
175M	40mm	Black Zinc	6	71	87	25	44
176GM	50mm	Zinc Plate	6	92	108	25	53
176M	50mm	Black Zinc	6	92	108	25	53
178/63	63mm	Zinc Plate	7	107	130	39	66
178/80PP	80mm	Zinc Plate	9	136	166	40	92
178/100PP	100mm	Zinc Plate	9	160	190	40	118

Nominal Dimensions

Stainless Steel Saddles



170SS Series

170SS Series Manufactured in grade 316 Stainless Steel. These models are also suitable for strap fixing.

Cat. Number	Nominal Size	Max. Slot Width	Hole Diameter	Centres	Length	Width	Height
172SS	20mm	12.7mm	5mm	39mm	50mm	20mm	21mm
173SS	25mm	12.7mm	5mm	48mm	62mm	25mm	26mm

Half Saddles



180 Series

180A Series Half Saddles have 6.5mm diameter mounting hole to suit power gun driven masonry studs.

Cat. Number	Nominal Size	Finish	Hole Diameter	Length	Width	Height
180/12	12.7mm	Zinc Plate	5	36	16	15
180/16	16mm	Zinc Plate	5	46	19	18
180/20	20mm	Zinc Plate	5	50	19	22
180/25	25mm	Zinc Plate	5	60	25	26
180/32	32mm	Zinc Plate	7	67	24	33
180/40	40mm	Zinc Plate	7	74	32	41
180/50	50mm	Zinc Plate	7	85	39	54
180A16	16mm	Zinc Plate	6.5	46	19	18
180A20	20mm	Zinc Plate	6.5	50	19	22
180A25	25mm	Zinc Plate	6.5	60	25	26

Nominal Dimensions

Half Saddles with Nails



180N

Cat. Number	Nominal Size	Finish	Nail Size	Length	Width	Height
180N16	16mm	Zinc Plate	25x2.8mm	46	19	18
180N20	20mm	Zinc Plate	25x2.8mm	50	19	22
180N25	25mm	Zinc Plate	25x2.8mm	57.3	26	26

Nominal Dimensions

Nails are hardened and suitable for use in masonry.

Metal Bushes



Cat. Number	Nominal Size	Finish	ID	Length
190M	12.7mm	Zinc Plate	10	10
191M	16mm	Zinc Plate	13	13
192M	20mm	Zinc Plate	17	14
193M	25mm	Zinc Plate	21	14

Nominal Dimensions

Solid Metal Bush



Cat. Number	Nominal Size	Finish	ID	Length
191S	16mm	Zinc Plate	14	9

Nominal Dimensions

Degree of protection; Medium Protection Zinc Plated.

Earth Clips Two Piece Claw Type



Catalogue Number	Nominal Pipe Sizes	Earth Conductor	Finish	Length	Width
205M	12.7mm Cond.	6mm ²	Hot Dip Galv.	34	26
205MBS	12.7mm Cond.	6mm ²	Natural Brass	34	26
206M	16mm Cond.	6mm ²	Hot Dip Galv.	35	26
207M	20mm Cond.	6mm ²	Hot Dip Galv.	42	26
208M	25mm Cond.	6mm ²	Hot Dip Galv.	51	26
209M	20mm W/Pipe	6mm ²	Hot Dip Galv.		
209M	32mm Cond.	6mm ²	Hot Dip Galv.	56	26
209M	25mm W/Pipe	6mm ²	Hot Dip Galv.		
210M	40mm Cond.	6mm ²	Hot Dip Galv.	66	26
210M	32mm W/Pipe	6mm ²	Hot Dip Galv.		
211M	50mm Cond.	6mm ²	Hot Dip Galv.	76	26
211M	40mm W/Pipe	6mm ²	Hot Dip Galv.		
212M	15mm W/Pipe	6mm ²	Hot Dip Galv.	41	26

Nominal Dimensions

Degree of protection; Heavy Protection Hot Dip Galvanised.

Adjustable Earth Clip



Catalogue Number	Nominal Pipe Sizes	Earth Conductor	Finish	Length	Width
202M	16mm Cond. 20mm Cond.	6mm ²	Hot Dip Galv.	35	25
203M	15 or 20mm W/Pipe, 25 mm Cond.				

Nominal Dimensions

Degree of protection; Heavy Protection Hot Dip Galvanised.

Products of Gerard Industries Pty Ltd

ACN 007 873 529

Head Office

12 Park Terrace, Bowden
South Australia 5007
Telephone (08) 8269 0511
Facsimile (08) 8340 1724
Internet <http://www.clipsal.com.au>
E-Mail plugin@clipsal.com.au

Offices in all States

NSW	Sydney	(02) 9794 9200
VIC	Melbourne	(03) 9207 3200
	Country Areas	1800 653 893
	Albury	(060) 41 2377
QLD	Brisbane	(07) 3244 7444
	Townsville	(077) 25 1822
SA	Adelaide	(08) 8269 0555
WA	Perth	(08) 9442 4444
TAS	Hobart	(03) 6272 3177
	Launceston	(03) 6331 6951
NT	Darwin	(08) 8947 0278

Area Representatives

NSW	Central Coast	0418 430 361
	Coffs Harbour	018 653 183
	Dubbo	015 214 338
	Newcastle	015 298 792
		018 434 169
		018 686 040
	Tamworth	015 214 339
	Wagga Wagga	018 578 903
	Wollongong	018 423 581
ACT	Canberra	018 238 824
	Canberra/Goulburn	0418 164 070
	Canberra/Yass	0419 847 732
VIC	Albury	0418 690 178
	Bendigo	0418 570 213
	Geelong & Sth. West	0418 527 233
	Gippsland	0418 512 680
QLD	Cairns	018 773 254
	Gold Coast	018 765 459
	Mackay	018 778 499
	Maryborough	018 064 338
	Northern Rivers	0418 768 902
	Rockhampton	018 794 711
		015 731 763
	Sunshine Coast	018 711 786
	Toowoomba	018 746 311
	Townsville	015 162 700
WA	Bunbury	0418 931 684
	Kalgoorlie &	
	Eastern Gold Fields	015 474 455
	Karratha	0418 937 249
SA	Riverland/Mildura/	
	Broken Hill	018 596 145

International Enquiries

Head Office Export Department

Telephone + 61 8 8269 0587
Facsimile + 61 8 8346 1678