

AIRFLOW[®]
keeping air fresher



Add a little Sunshine to your bathroom
With built-in thermal protection



Hello Sunshine

Say goodbye to foggy mirrors and cold, dim steam filled bathrooms every winter. An Airflow Sunshine bathroom 3-in-1 model will provide your bathroom with fresh clear air, bright light and gentle radiant heat in one compact and stylish design.

Multiple choice

Two models are offered in the Sunshine range – a two heat lamp model for use in en-suites and a four heat lamp model for main bathrooms.

Safe to use

Sunshine 3-in-1s are very safe to use. Both models have heat resistant ceramic lamp holders and an all-metal body to provide you with total peace of mind. For added safety, the exhaust fan automatically turns on whenever the heat lamps are in use to prevent heat build-up.

Your Sunshine also has built-in thermal protection – a temperature sensor that instantly turns off the heat lamps should the unit ever overheat. However, the exhaust fan will stay on to cool the unit down, while the centre light can still be used so you're never left in the dark.

Great in tight spaces

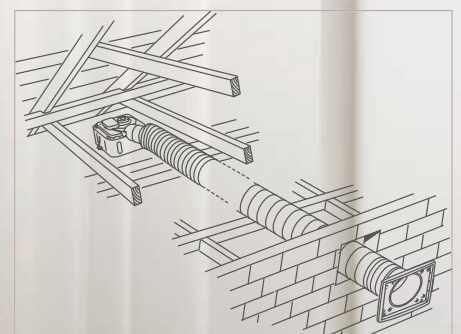
For bathrooms with restricted ceiling spaces, both models include side-connected flexible ducting. This extracts steam and air outside preventing moisture damage.

Easy to clean

Airflow has designed the fascia with large flat surfaces to prevent dust traps forming and making it easy to clean.

Simple to install

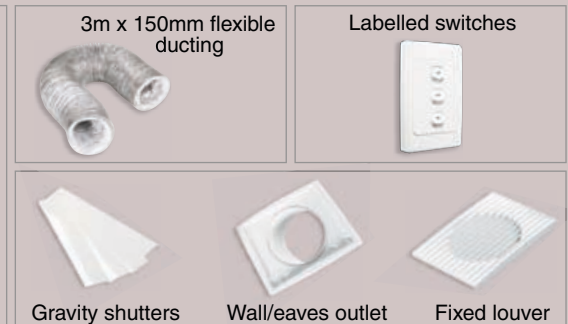
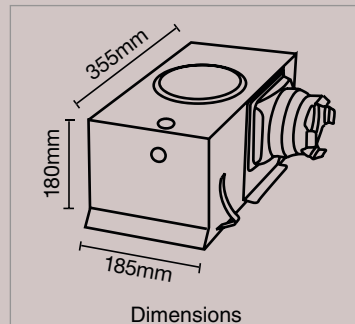
Each model is supplied with a ventilation outlet designed for easy installation on walls or under eaves. Outlets can be fitted with insect screens, automatic shutters and fixed louvres. Ask your electrical contractor about the option that's right for you.



Airflow Sunshine 2 x 275W heat lamp model 7600ATP,WE

Features

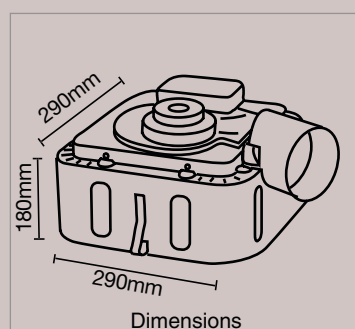
- Attractive modern design.
- Efficient and economical operation.
- Built-in thermal protection for added safety.
- 2 x 275W radiant heat lamps with ceramic lamp holders.
- One heat setting.
- An R80 60W centre lamp.
- Exhaust fan.
- 3m x 150mm ducting.
- Ball bearing motor and centrifugal fan for room ventilation through ducting.
- Clipsal 2000 Series labelled wall switches, gridplate and cover included.
- Side connected ducting for ceiling cavities above 215mm.
- Wall/eaves outlet included.



Airflow Sunshine 4 x 275W heat lamp model 7500ATP,WE

Features

- Attractive modern design.
- Efficient and economical operation.
- Built-in thermal protection for added safety.
- 4 x 275W radiant heat lamps with ceramic lamp holders.
- One heat setting.
- An R80 100W centre lamp.
- Exhaust fan.
- 3m x 150mm ducting.
- Ball bearing motor and centrifugal fan for room ventilation through ducting.
- Clipsal 2000 Series labelled wall switches, gridplate and cover included.
- Side connected ducting for ceiling cavities above 230mm.
- Wall/eaves outlet included.



AIRFLOW[®]

keeping air fresher

Where to locate

Radiant globe heaters are not designed to heat entire rooms, but to provide instant and concentrated heat directly below. Always locate a Sunshine bathroom 3-in-1 where drying off takes place and not directly over the shower or bath.

Protect the environment

Although Sunshine 3-in-1s are economical to run, it is recommended that heat lamps operate for no more than 15 minutes at a time to save electricity and to help protect the environment.

Warranty and replacement lamps

Airflow Sunshine heater models are backed by a three year warranty, while the lamps are covered for one year. Airflow replacement heat lamps and light globes are also available. Use only approved Airflow replacement lamps otherwise the warranty is void.



Cat No.	Description
6600HL275	275W ES Heat Lamp
6600L60	60W ES Reflector Lamp
6600L100	100W ES Reflector Lamp

Specifications

Cat No.	7600ATP,WE	7500ATP,WE
Air-Movement (exhaust fan)	125m ³ /hr (34.7 l/sec)	125m ³ /hr (34.7 l/sec)
Flexible Ducting	3m x 150mm dia foil type	3m x 150mm dia foil type
Lamp Holders	Ceramic Edison Screw	Ceramic Edison Screw
Backdraft Shutter	Built-in	Built-in
Heat Lamps	2 x 275W ES	4 x 275W ES
Centre Lamp	60W ES reflector lamp	100W ES reflector lamp
Minimum Ceiling Cavity	215mm	230mm
Fan Type	Centrifugal design	Centrifugal design
Rated Voltage	240V a.c. 50Hz	240V a.c. 50Hz
Watts	580W – 630W	1140W – 1240W
Motor Type	Ball bearing	Ball bearing
Body	Mild steel (painted)	Mild steel (painted)
Fascia	High-temp polycarbonate	High-temp polycarbonate
Switches	Clipsal 2000 Series wall plate in White Electric with separate HEAT, LIGHT and FAN labelled switch mechanisms	Clipsal 2000 Series wall plate in White Electric with separate HEAT, LIGHT and FAN labelled switch mechanisms
IP Rating	IPX2	IPX2
Outlet	Wall/eaves outlet with gravity shutters, insect screen and fixed-louvre options included (white colour).	Wall/eaves outlet with gravity shutters, insect screen and fixed-louvre options included (white colour).
Warranty	3 years	3 years
Lamp Warranty	12 months	12 months
Recommended Operation	Operate heat lamps for a max. of 15 minutes at a time	Operate heat lamps for a max. of 15 minutes at a time
Thermal Protection	Temperature sensor automatically turns off heat lamps if overheating is detected. Exhaust fan and centre light continue to operate.	Temperature sensor automatically turns off heat lamps if overheating is detected. Exhaust fan and centre light continue to operate.

Clipsal Australia Pty Ltd

A member of Schneider Electric

Head Office

33-37 Port Wakefield Road,
Gepps Cross, South Australia 5094

Website clipsal.com

Contact us clipsal.com/feedback

National Customer Care Enquiries:
1300 2025 25

National Customer Care Facsimile:
1300 2025 56

International Enquiries

International Sales and Marketing

Email export@clipsal.com.au

Schneider Electric (NZ) Ltd

38 Business Parade South, Highbrook,
East Tamaki, Manukau 2013,
NEW ZEALAND

Telephone + 64 9 829 0490

Facsimile + 64 9 829 0491

Website www.schneider-electric.co.nz

Clipsal Customer Care

Freephone 0800 652 999

Freefax 0800 101 152

Email sales@nz.schneider-electric.com

Website www.clipsal.co.nz

www.pdl.co.nz

You can find this brochure and many others online in PDF format at: **clipsal.com**

Follow the links off the home page or access the following page directly:
clipsal.com/brochures

clipsal.com

Clipsal Australia Pty Ltd reserves the right to change specifications, modify designs and discontinue items without incurring obligation and whilst every effort is made to ensure that descriptions, specifications and other information in this catalogue are correct, no warranty is given in respect thereof and the company shall not be liable for any error therein.