

Haneco 50W Constant Voltage Dimmable Driver

HD-0050-24V

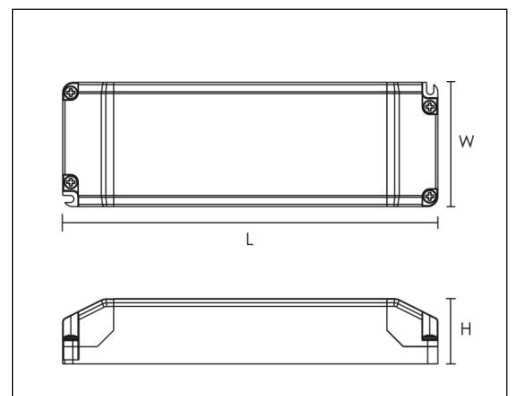
PRODUCT SPECIFICATIONS

Supply Voltage	220-240V
Supply Frequency	50/60Hz
Max Output	50W
Output Voltage	24V
Output Current	2.00A
Power Factor	0.95
Ambient Temp	-20°C - 50°C
Max Case Temp	80°C
Cable	1.2m Flex & Plug
IP Rating	20
Dimensions	L184xW61xH32mm
Weight	240g

PHOTO



DIMENSIONS



SUITABLE FOR

FLEXION 25W Series	FS25W5MWW-IP20
	FS25W5MNW-IP20
	FS25W5MCW-IP20
	FS25W5MWW-IP65
	FS25W5MNW-IP65
	FS25W5MCW-IP65
FLEXION 40W Series	FS40W5MWW-IP20
	FS40W5MNW-IP20
	FS40W5MCW-IP20
	FS40W5MWW-IP65
	FS40W5MNW-IP65
	FS40W5MCW-IP65

*Suitable for leading, trailing, or universal dimmers. Haneco recommend the use of their DUO range of dimmers or any other compatible LED purposed dimmer.

*Dimming results may vary and Haneco cannot take responsibility for any possible environmental factors that load correction devices do not rectify.

*CONTACT HANECO TECHNICAL SUPPORT FOR FURTHER INFORMATION.

*Datasheet subject to change without notice, errors and omission excepted. Always make sure to use the most recent release.