

Haneco 40W Constant Voltage Driver

HD-0040-24V

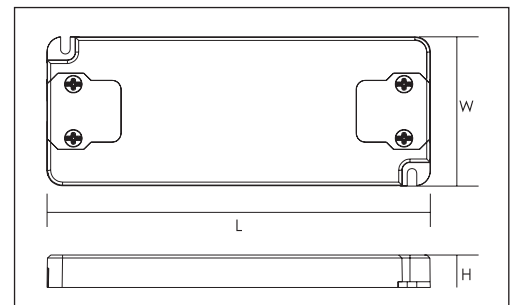
PHOTO

PRODUCT SPECIFICATIONS

Supply Voltage	220-240V
Supply Frequency	50/60Hz
Max Output	40W
Output Voltage	24V
Output Current	1.7A
Power Factor	0.95
Ambient Temp	-20°C to 50°C
Max Case Temp	85°C
Cable	1.2M Flex&Plug
IP Rating	20
Dimensions	L165xW52xH25mm
Weight	140g



DIMENSIONS



Subject to change without notice, errors and omission excepted. Always make sure to use the most recent release.