

## CHLEPP2USB2G

\*See current catalogue for further detail



### Cleaning Guide:

Spraying cleaning products directly on to electrical switches or power points (sockets) is not recommended.

It is important to ensure that switches are turned off before cleaning.

Do not use any cleaning sprays - only wipe down with damp cloth or rub with dry cloth. Do not use an abrasive cloth as it may scratch the plastic.

Do not use harsh chemical cleaners as these can break down the plastic and cause it to crack.

Do not wash the cover plates in water over 60°C.

## Cheetah & Leopard USB Ranges ONE SOCKET TWO COVERS

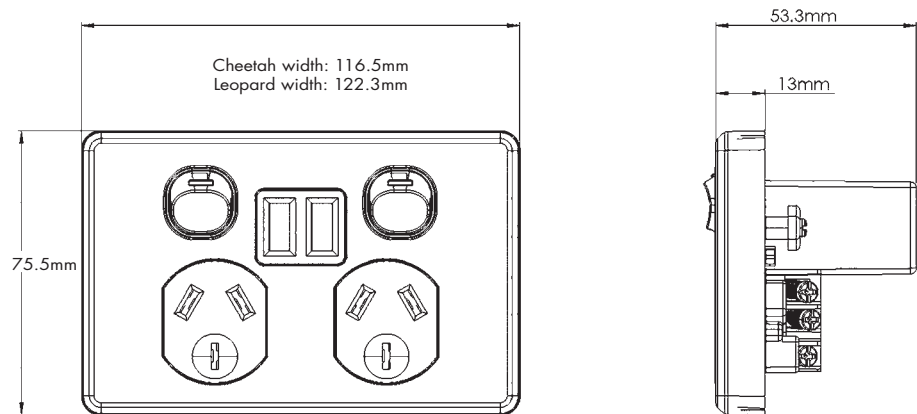
CHEETAH™ LEOPARD™

**Suitable for BOTH Cheetah & Leopard Ranges**  
**Both Cheetah & Leopard covers included in the same pack**

[For some wholesalers it will be found on your system as either CHPP2USB2G or LEPP2USB2G - pointed to CHLEPP2USB2G]

### CHLEPP2USB2G

- USB outlet approved to AS/NZS 60950.1
- Electrical power point approved to AS/NZS 3112
- The rating for the USB is 3.4A at 5V when one device is inserted then it divides to split the output when a device is inserted in each USB socket
- Fits standard wall boxes and mounting accessories
- Covers, plates and dollies are made from UV stabilised polycarbonate to avoid discolouring to yellow
- Standard colour is white. Black also stocked - please check availability
- Uses brass tunnel terminals that have the screws backed out for easier installation of cabling. Power point terminals have 6mm bore to suit 4 x 2.5mm<sup>2</sup> cable
- The width of the covers are:



Catalogue Number	Description
CHLEPP2USB2G	Power Point Switched 2 Gang, 10A 250V~ and 2 USBs
CHLEPP2USB2GBK	Power Point Switched 2 Gang, 10A 250V~ and 2 USBs Black

**Certification Number:**  
CHLEPP2USB2G: GMA-103194-EA-007

**GSM Electrical (Australia) Pty Ltd**  
Level 2, 142-144 Fullarton Road, Rose Park SA 5067  
P: 1300 301 838 F: 1300 301 778 E: service@gsm.com.au



Data Specification Sheet  
April 2018

## LEPP1G LEPP151G LEPPSW1G

\*See current catalogue for further detail

### Cleaning Guide:

Spraying cleaning products directly on to electrical switches or power points (sockets) is not recommended.

It is important to ensure that switches are turned off before cleaning.

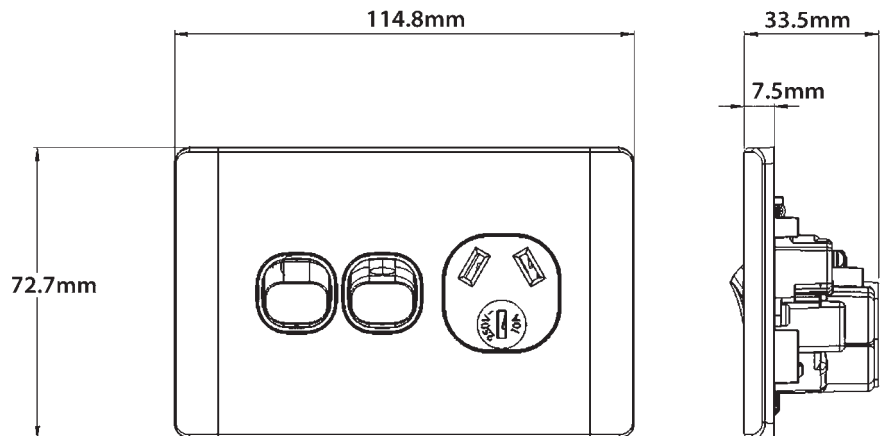
Do not use any cleaning sprays - only wipe down with damp cloth or rub with dry cloth. Do not use an abrasive cloth as it may scratch the plastic.

Do not use harsh chemical cleaners as these can break down the plastic and cause it to crack.

Do not wash the cover plates in water over 60°C.

## Leopard Range of Single Power Points

- Switches approved to AS/NZS3133
- Socket outlets approved to AS/NZS3112
- Fits standard Australian wall boxes and mounting accessories that use 84mm mounting centres
- Uses brass tunnel terminals that have the screws backed out for easier installation of cabling. Power point terminals have 6mm bore to suit 4 x 2.5mm<sup>2</sup> cable. Switch terminals have 4.1mm suit 4 x 1.5mm<sup>2</sup>
- Combination head screws for the socket terminals
- Uses 'Cat Flap' screw covers for IP rating mounting screws
- Dolly indicator colour green
- Covers, plates and dollies are made from UV stabilised polycarbonate to avoid discolouring to yellow
- Standard colour is white. Black and Brushed Aluminium also stocked - please check availability
- Typical example of size seen below:



Catalogue Number	Description
LEPP1G	Power Point Switched 1 Gang, 10A 250V~
LEPP151G	Power Point Switched 1 Gang, 15A 250V~
LEPPSW1G	Power Point Switched 1 Gang, 10A 250V~ with Extra Switch 16AX/20A

When ordering BLACK product add "BK" to end of catalogue number, ie LEPP1GBK

When ordering BRUSHED ALUMINIUM (cover) add "CBA" to end of catalogue number, ie LEPP1GCBA

**MEERKAT Switch Mechanisms** are used for all switch plates.  
Please refer to Meerkat Mech Matrix for range compatibility.

### Certification Number:

GMA-103194-EA-008  
and GMA-500347-EA

### GSM Electrical (Australia) Pty Ltd

Level 2, 142-144 Fullarton Road, Rose Park SA 5067  
P: 1300 301 838 F: 1300 301 778 E: service@g sme.com.au  
[www.g sme.com.au](http://www.g sme.com.au)



Data Specification Sheet  
July 2020



## LEPP2G LEPP152G LEPPSW2G

\*See current catalogue for further detail

### Cleaning Guide:

Spraying cleaning products directly on to electrical switches or power points (sockets) is not recommended.

It is important to ensure that switches are turned off before cleaning.

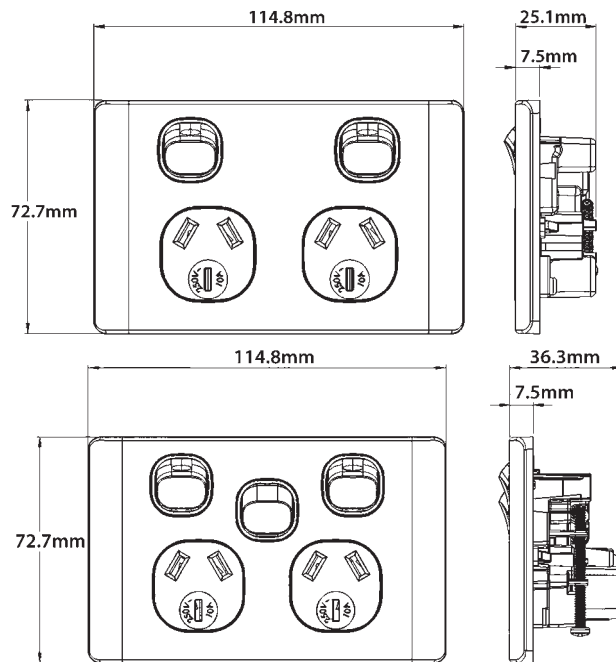
Do not use any cleaning sprays - only wipe down with damp cloth or rub with dry cloth. Do not use an abrasive cloth as it may scratch the plastic.

Do not use harsh chemical cleaners as these can break down the plastic and cause it to crack.

Do not wash the cover plates in water over 60°C.

## Leopard Range of Double Power Points

- Socket outlets approved to AS/NZS3112
- Fits standard Australian wall boxes and mounting accessories that use 84mm mounting centres
- Uses brass tunnel terminals that have the screws backed out for easier installation of cabling. Power point terminals have 6mm bore to suit 4 x 2.5mm<sup>2</sup> cable. Switch terminals have 4.1mm suit 4 x 1.5mm<sup>2</sup>
- Combination head screws for the socket terminals
- Uses 'Cat Flap' screw covers for IP rating mounting screws
- Dolly indicator colour green
- Covers, plates and dollies are made from UV stabilised polycarbonate to avoid discolouring to yellow
- Standard colour is white. Black and Brushed Aluminium also stocked - please check availability
- Typical example of size seen below:



Catalogue Number	Description
LEPP2G	Power Point Switched 2 Gang, 10A 250V~
LEPP152G	Power Point Switched 2 Gang, 15A 250V~
LEPPSW2G	Power Point Switched 2 Gang, 10A 250V~ with Extra Switch 16AX/20A

When ordering BLACK product add "BK" to end of catalogue number, ie LEPP1GBK

When ordering BRUSHED ALUMINIUM (cover) add "CBA" to end of catalogue number, ie LEPP1GCBA

**MEERKAT Switch Mechanisms** are used for all switch plates.  
Please refer to Meerkat Mech Matrix for range compatibility.

### Certification Number:

GMA-103194-EA-009 / GMA-500348-EA / GMA-500349-EA

### GSM Electrical (Australia) Pty Ltd

Level 2, 142-144 Fullarton Road, Rose Park SA 5067

P: 1300 301 838 F: 1300 301 778 E: service@g sme.com.au

www.g sme.com.au



Data Specification Sheet  
October 2018

## LEPPV1G LEPPV2G

\*See current catalogue for further detail

### Cleaning Guide:

Spraying cleaning products directly on to electrical switches or power points (sockets) is not recommended.

It is important to ensure that switches are turned off before cleaning.

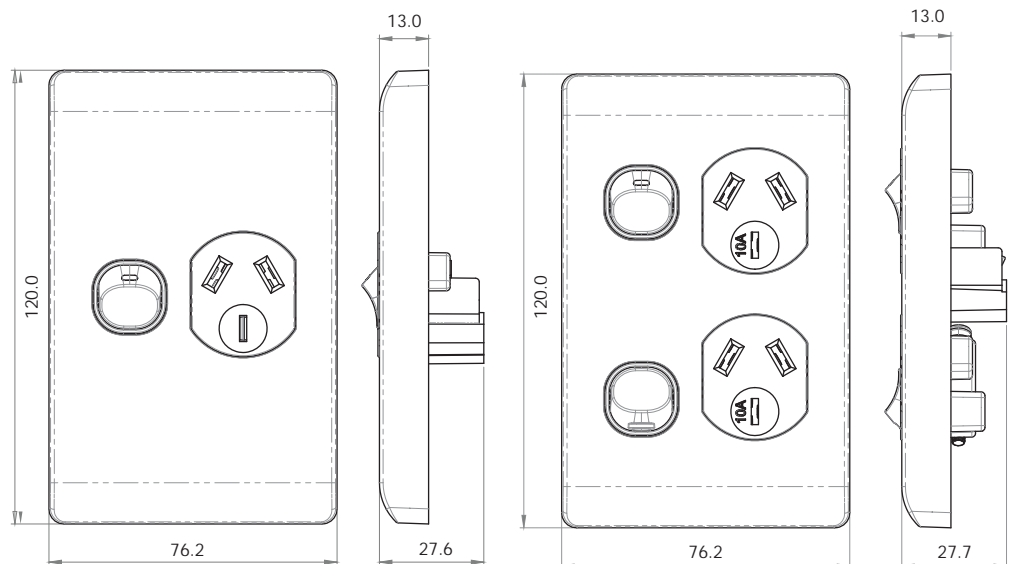
Do not use any cleaning sprays - only wipe down with damp cloth or rub with dry cloth. Do not use an abrasive cloth as it may scratch the plastic.

Do not use harsh chemical cleaners as these can break down the plastic and cause it to crack.

Do not wash the cover plates in water over 60°C.

## Leopard Range of Vertical Single & Double Power Points

- Switches approved to AS/NZS3133
- Socket outlets approved to AS/NZS3112
- Fits standard Australian wall boxes and mounting accessories that use 84mm mounting centres
- Uses brass tunnel terminals that have the screws backed out for easier installation of cabling. Power point terminals have 6mm bore to suit 4 x 2.5mm<sup>2</sup> cable. Switch terminals have 4.1mm suit 4 x 1.5mm<sup>2</sup>
- Combination head screws for the socket terminals
- Dolly indicator colour green
- Covers, plates and dollies made from UV stabilised polycarbonate to avoid discolouring to yellow
- Standard colour is white.
- Typical example of size seen below:



Catalogue Number	Description
LEPPV1G	Power Point Switched Vertical 1 Gang, 10A 250V~
LEPPV2G	Power Point Switched Vertical 2 Gang, 10A 250V~

**MEERKAT Switch Mechanisms** are used for all switch plates.  
Please refer to Meerkat Mech Matrix for range compatibility.

### Certification Number:

LEPPV1G: GMA-501807-EA

LEPPV2G: GMA-501806-EA

### GSM Electrical (Australia) Pty Ltd

Level 2, 142-144 Fullarton Road, Rose Park SA 5067

P: 1300 301 838 F: 1300 301 778 E: service@gsme.com.au

[www.gsme.com.au](http://www.gsme.com.au)



Data Specification Sheet  
October 2018



## LESWVA1G LESWVA2G LESWVA3G

\*See current catalogue for further detail

### Cleaning Guide:

Spraying cleaning products directly on to electrical switches or power points (sockets) is not recommended.

It is important to ensure that switches are turned off before cleaning.

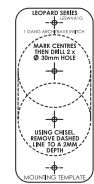
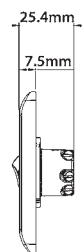
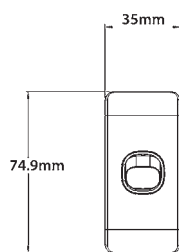
Do not use any cleaning sprays - only wipe down with damp cloth or rub with dry cloth. Do not use an abrasive cloth as it may scratch the plastic.

Do not use harsh chemical cleaners as these can break down the plastic and cause it to crack.

Do not wash the cover plates in water over 60°C.

## Leopard Range of Architrave Switches

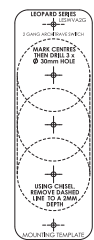
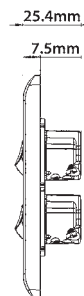
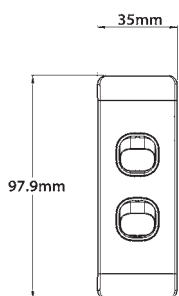
- Switches are rated 16AX/20A 250V~ and approved to AS/NZS60669-1
- Uses brass tunnel terminals that have the screws backed out for easier installation of cabling. Switches are two way with looping terminal and suit 4 x 1.5mm<sup>2</sup> cabling with 4.1mm bore
- Slotted head screws for the terminals
- Covers, plates and dollies are made from UV stabilised polycarbonate to avoid discolouring to yellow
- Standard colour is white. Black also stocked - please check availability
- Typical example of size seen below:



**TRADER**

example of cutting template supplied

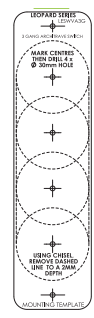
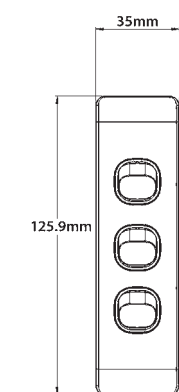
**LESWVA1G**



**TRADER**

example of cutting template supplied

**LESWVA2G**



**TRADER**

example of cutting template supplied

**LESWVA3G**

Catalogue Number	Description
LESWVA1G	Switch Vertical Architrave 1 Gang, 16AX/20A 250V~
LESWVA2G	Switch Vertical Architrave 2 Gang, 16AX/20A 250V~
LESWVA3G	Switch Vertical Architrave 3 Gang, 16AX/20A 250V~

When ordering BLACK product add "BK" to end of catalogue number, ie LEPP1GBK

**MEERKAT** 

MEERKAT Switch Mechanisms are used for all switch plates. Please refer to Meerkat Mech Matrix for range compatibility.

Certification Number:  
GMA-507879-EA

GSM Electrical (Australia) Pty Ltd  
Level 2, 142-144 Fullarton Road, Rose Park SA 5067  
P: 1300 301 838 F: 1300 301 778 E: service@g sme.com.au  
www.g sme.com.au



Data Specification Sheet  
August 2020



LESWV1G  
LESWV2G  
LESWV3G  
LESWV4G  
LESWV5G  
LESWV6G  
LESW1G  
LESW2G  
LESW3G  
LESW4G  
LESW5G  
LESW6G  
LESWPV1G  
LESWPV2G  
LESWPV3G  
LESWPV4G  
LESWPV5G  
LESWPV6G  
LESWPVXG

\*See current catalogue for further detail

**Note:** MESWC (previously LESWM) switch mechanism used in conjunction with Snow Leopard, Leopard and Cheetah plates

#### Cleaning Guide:

Spraying cleaning products directly on to electrical switches or power points (sockets) is not recommended.

It is important to ensure that switches are turned off before cleaning.

Do not use any cleaning sprays - only wipe down with damp cloth or rub with dry cloth. Do not use an abrasive cloth as it may scratch the plastic.

Do not use harsh chemical cleaners as these can break down the plastic and cause it to crack.

Do not wash the cover plates in water over 60°C.



## Leopard Range of Switch Plates

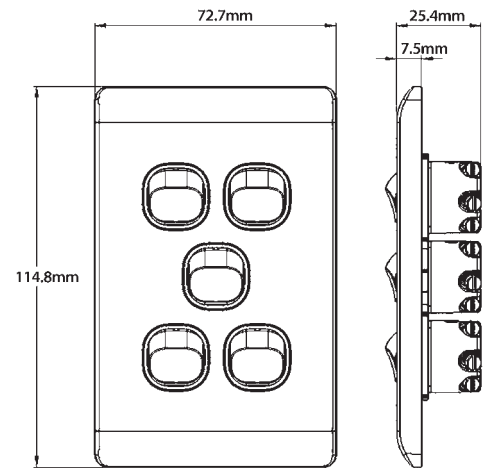
- Switches are rated 16AX/20A 250V~ and approved to AS/NZS60669-1
- Fits standard Australian wall boxes and mounting accessories that use 84mm mounting centres
- Uses brass tunnel terminals that have the screws backed out for easier installation of cabling. Switches are two way with looping terminal and suit 4 x 1.5mm<sup>2</sup> cabling with 4.1mm bore
- Slotted head screws for the terminals
- Uses 'Cat Flap' screw covers for IP rating or mounting screws
- Covers, plates and dollies are made from UV stabilised polycarbonate to avoid discolouring to yellow
- Standard colour is white. Black and Brushed Aluminium covers also stocked - please check availability
- Plates suit Trader Meerkat MESWC mechs, including TV and Data; and Clipsal 30 Style\* mechs and accessories
- Typical example of size in diagram:



Example of cover plate only / grid and plate only (less mech)



Example of cover plate with MERJ6CM data mech installed



Catalogue No.	Description
LESWV1G	Switch Vertical 1 Gang, 16AX/20A 250V~
LESWV2G	Switch Vertical 2 Gang, 16AX/20A 250V~
LESWV3G	Switch Vertical 3 Gang, 16AX/20A 250V~
LESWV4G	Switch Vertical 4 Gang, 16AX/20A 250V~
LESWV5G	Switch Vertical 5 Gang, 16AX/20A 250V~
LESWV6G	Switch Vertical 6 Gang, 16AX/20A 250V~
LESW1G	Switch Horizontal 1 Gang, 16AX/20A 250V~
LESW2G	Switch Horizontal 2 Gang, 16AX/20A 250V~
LESW3G	Switch Horizontal 3 Gang, 16AX/20A 250V~
LESW4G	Switch Horizontal 4 Gang, 16AX/20A 250V~
LESW5G	Switch Horizontal 5 Gang, 16AX/20A 250V~
LESW6G	Switch Horizontal 6 Gang, 16AX/20A 250V~

Horizontals available by request

Catalogue No.	Description
LESWPV1G	Switch Plate Vertical 1 Gang (Less Mech)
LESWPV2G	Switch Plate Vertical 2 Gang (Less Mech)
LESWPV3G	Switch Plate Vertical 3 Gang (Less Mech)
LESWPV4G	Switch Plate Vertical 4 Gang (Less Mech)
LESWPV5G	Switch Plate Vertical 5 Gang (Less Mech)
LESWPV6G	Switch Plate Vertical 6 Gang (Less Mech)
LESWPVXG	Blank plate with clip on surround

The above catalogue numbers where "P" appears in number, refers to Cover Plate Only / Grid and Plate only (less mech)

\* The Clipsal brand and associated products are Trademarks of Schneider Electric (Australia) Pty Ltd.

GSM Electrical (Australia) Pty Ltd, the TRADER brand and it's products, have no endorsement or affiliation with Schneider Electric Pty Ltd.

When ordering BLACK product add "BK" to end of catalogue number, ie LEPP1GBK

When ordering BRUSHED ALUMINIUM (cover) add "CBA" to end of catalogue number, ie LEPP1GCBA

**MEERKAT**™

MEERKAT Switch Mechanisms are used for all switch plates. Please refer to Meerkat Mech Matrix for range compatibility.

**Certification Number:**  
GMA-507879-EA

**GSM Electrical (Australia) Pty Ltd**  
Level 2, 142-144 Fullarton Road, Rose Park SA 5067  
P: 1300 301 838 F: 1300 301 778 E: service@gsme.com.au  
[www.gsme.com.au](http://www.gsme.com.au)



Data Specification Sheet  
August 2020

**LESWDPOV45**  
**LESWDPOV45H**  
**LESWDPOV45BK**  
**LESWDPOV45BKH**  
**LESWDPOV45BKSV**  
**LESWDPOV45BKSVH**  
**LESWDPOV45WSV**  
**LESWDPOV45WSVH**

\*See current catalogue for further detail

**Cleaning Guide:**

Spraying cleaning products directly on to electrical switches or power points (sockets) is not recommended.

It is important to ensure that switches are turned off before cleaning.

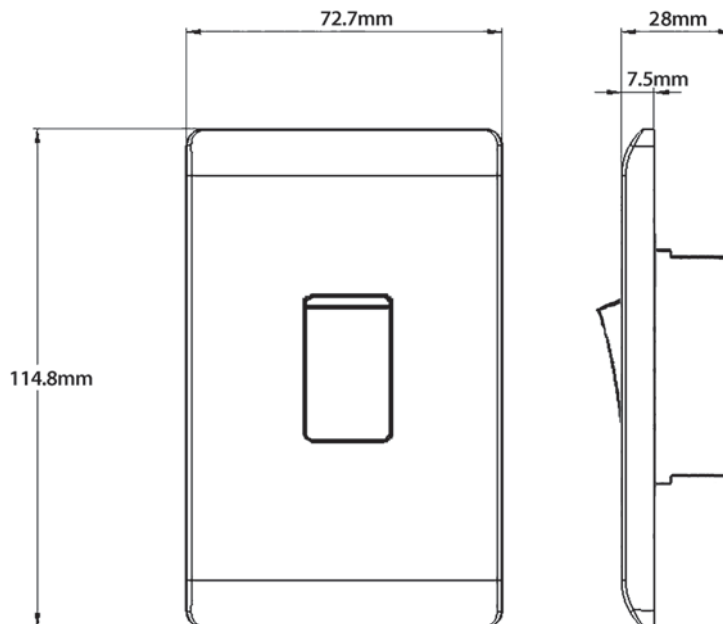
Do not use any cleaning sprays - only wipe down with damp cloth or rub with dry cloth. Do not use an abrasive cloth as it may scratch the plastic.

Do not use harsh chemical cleaners as these can break down the plastic and cause it to crack.

Do not wash the cover plates in water over 60°C.

## Leopard Oven Switches

- Switch approved to AS/NZS60669.1:2013
- 45A 250V~, Double Pole
- Includes looping terminals
- Terminal bore 5.8mm diameter
- Cover, plate and dolly is made from UV stabilised polycarbonate to avoid discolouring to yellow
- Standard colour is white. Colours available: White, Black, Black/Silver, White/Silver - please check availability



Catalogue Number	Description
LESWDPOV45	Switch Oven 45A 250V~ Double Pole
LESWDPOV45H	Switch Oven 45A 250V~ Double Pole Horizontal
LESWDPOV45BK	Switch Oven 45A 250V~ Double Pole Black
LESWDPOV45BKH	Switch Oven 45A 250V~ Double Pole Black Horizontal
LESWDPOV45BKSV	Switch Oven 45A 250V~ Double Pole Black Silver
LESWDPOV45BKSVH	Switch Oven 45A 250V~ Double Pole Black Silver Horizontal
LESWDPOV45WSV	Switch Oven 45A 250V~ Double Pole White Silver
LESWDPOV45WSVH	Switch Oven 45A 250V~ Double Pole White Silver Horizontal

**Certification Number:** GMA-502679

**GSM Electrical (Australia) Pty Ltd**

Level 2, 142-144 Fullarton Road, Rose Park SA 5067

P: 1300 301 838 F: 1300 301 778 E: service@g sme.com.au

[www.g sme.com.au](http://www.g sme.com.au)



Data Specification Sheet  
October 2018



## LEPPSHELF

**For use with:  
LEPP2G**

### Cleaning Guide:

Spraying cleaning products directly on to electrical switches or power points (sockets) is not recommended.

It is important to ensure that switches are turned off before cleaning.

Do not use any cleaning sprays - only wipe down with damp cloth or rub with dry cloth. Do not use an abrasive cloth as it may scratch the plastic.

Do not use harsh chemical cleaners as these can break down the plastic and cause it to crack.

Do not wash the cover plates in water over 60°C.

## Leopard Power Point Shelf

- Suitable for use with Leopard LEPP2G plates
- Includes screw caps and plugs for secure retention on wall
- No need to remove wall plates from wall for installation of the shelf



Example of the Leopard Shelf in use with LEPP2G

Easy to install:  
Align Top first against wall then slide down and swing bottom into place



Example of the Leopard Shelf in use

