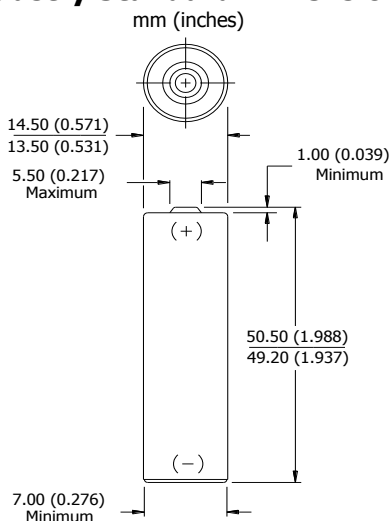


# ENERGIZER NH15-2000 (HR6)

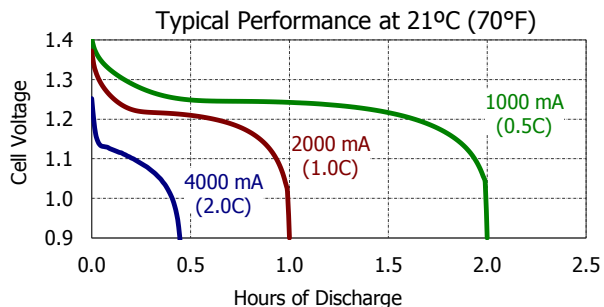
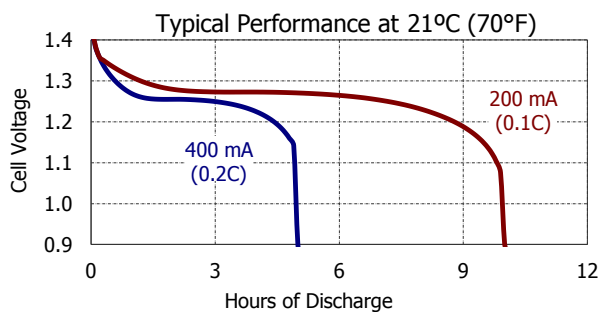
**AA**



## Industry Standard Dimensions



## Typical Discharge Characteristics



## Specifications

<b>Classification:</b>	Rechargeable
<b>Chemical System:</b>	Nickel-Metal Hydride (NiMH)
<b>Designation:</b>	ANSI-1.2H2 IEC-HR6
<b>Nominal Voltage:</b>	1.2 Volts
<b>Rated Capacity:</b>	2000 mAh (to 1.0 volts)
	Based on 400 mA (0.2C) discharge rate
<b>Typical Weight:</b>	27 grams (0.95 oz.)
<b>Typical Volume:</b>	8.3 cubic centimeters
<b>Jacket:</b>	Plastic Label

### Internal Resistance:

The internal resistance of the cell varies with state of charge, as follows:

<u>Cell Charged</u>	<u>Cell 1/2 Discharged</u>
30 milliohms	40 milliohms
(tolerance of ±20% applies to above values)	

### AC Impedance (No Load):

The impedance of the charged cell varies with frequency, as follows:

<u>Frequency (Hz)</u>	<u>Impedance (milliohms)</u> (Charged Cell)
1000	12

Above values based on AC current set at 1.0 ampere. Value tolerances are ±20%.

### Operating and Storage Temperatures:

To maintain maximum performance, observe the following general guidelines regarding environmental conditions.

Charge:	0°C to 40°C
Discharge:	0°C to 50°C
Storage:	-20°C to 30°C
Humidity:	65±20%

Operating at extreme temperatures, will significantly impact battery cycle life.

### Important Notice

This datasheet contains information specific to battery chargers manufactured at the time of its publication. Contents herein do not constitute a warranty and are for reference only