

CADDY[®]

Australia Range Electrical Fasteners



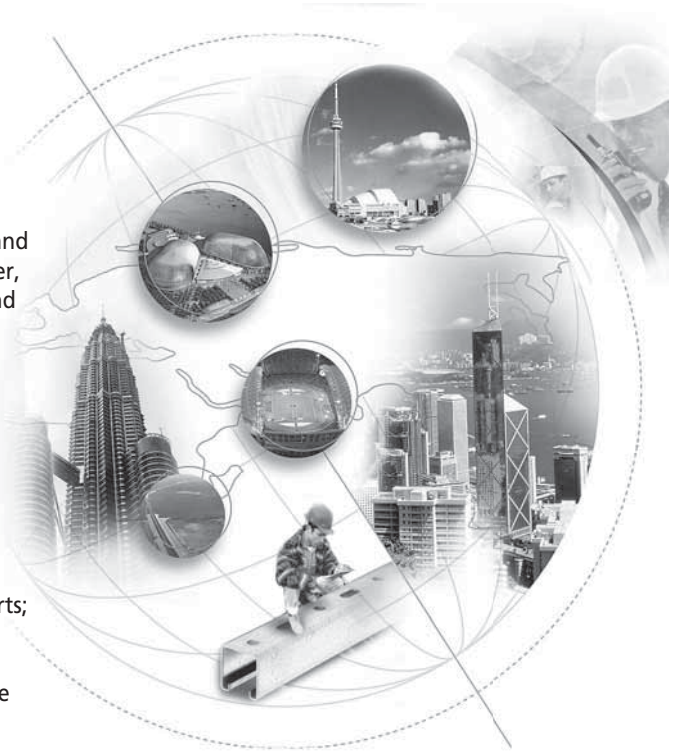
ERICO[®]



Innovation and Quality – The Cornerstones of Our Business

For more than 100 years, ERICO has built its reputation by developing and marketing high-quality, innovative products. As a trusted industry leader, our products and services are recognised for providing labour-saving and cost-saving solutions for customers throughout the world. It is our goal to continue to create high-quality, state-of-the-art products, while also providing the unparalleled service our customers have come to expect.

ERICO is a leading global designer, manufacturer and marketer of precision-engineered specialty metal products serving niche markets in a diverse range of electrical, construction, utility and rail applications. The company is headquartered in Solon, Ohio, USA with a network of sales locations serving more than 30 countries and with manufacturing and distribution facilities worldwide. ERICO's well-known brand names include: CADDY® electrical and mechanical fixings, fasteners and supports; CADWELD® welded electrical connections; ERICO® rail and industrial products; ERIFLEX® low-voltage power distribution; ERITECH® facility electrical protection; and LENTON® concrete products. Visit ERICO online at www.erico.com.



Symbols

Base Material

Product and profile type onto which the fixing will be attached.

Beam Profiles



Purlin Profiles



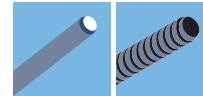
Metal Decking Profiles



Strut Profiles



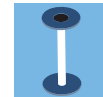
Rod Types



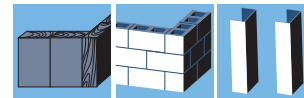
T-Grid



Pedestal Types



Wall Types



Legend

Part Number	Bulk Pack	Corrosion Protection
Part Description	Static Load in Newtons*	Safety Factor
Box Quantity	Number of Twisted Pairs	Cable Diameter

Corrosion Protection

P1 Electro-zinc Plated
P2 Stainless Steel
P3 Hot-dip Galvanised
P21 CADDY® ARMOUR

* Static load is a rated stationary load limit for a fastener. ERICO Standards require that test samples with stand a load equal to three times for most parts unless indicated otherwise.

Static load values are for loads applied VERTICALLY to the normal fastener installation except as may be diagrammed otherwise. Where the load rating of the CADDY Fastener exceeds that of the structural member, the lowest rated item must set the load limit.

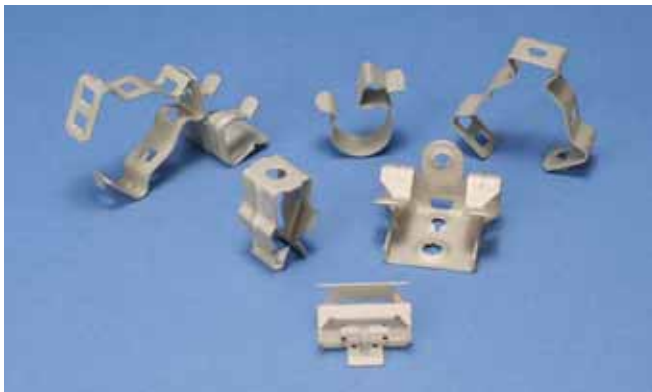


Index

CADDY® SPEED LINK	4-5
Hammer-On Beam Clamps	6-8
Bolt-On Beam Clamps	8-11
Purlin Clips	12-16
Conduit/Cable	16-19

Metal Decking	19-21
Strut Accessories	21-26
Miscellaneous	27-29
CADDY® CAT LINKS	30-34

Featured Innovations



Spring Steel

Spring steel provides light weight fasteners with high gripping power. These fasteners are designed to support a wide range of products from or to a variety of support members. These fasteners are fabricated from high carbon, annealed, spring steel.

NOTE: Spring steel CADDY fasteners are designed for indoor and non-corrosive environments. Not to be used in certain areas such as over indoor pools, etc.

CADDY® ARMOUR

Superior Corrosion Resistance

ERICO is revolutionizing corrosion protection with CADDY® ARMOUR. This innovative new corrosion protection system for steel parts is UL® Recognised and RoHS compliant. Testing conducted by independent testing facilities and ERICO has proven CADDY ARMOUR to be the most advanced, self-healing coating available, providing the highest level of corrosion resistance on the market.

Excellent Coat Quality

CADDY ARMOUR provides an extremely consistent and even coating. This aesthetically pleasing appearance is particularly important for installations in highly visible areas, such as open ceilings.

Utilising a state-of-the-art, computer-controlled process, the coating is applied consistently to each part, enabling improved corrosion resistance performance. Corrosion resistance is proven through the ASTM® B117 / DIN 50021 salt spray and GM 9540P Accelerated Cyclic Corrosion tests.



CADDY® CAT LINKS

CADDY® CAT LINKS is the newest, most innovative J-Hook support solution from ERICO. Not requiring any pre-fabricated brackets or supports, the CADDY CAT LINKS system is faster and easier to install than conventional tray systems, offering the installer substantial project and logistical cost savings.

CADDY CAT LINKS offers the largest family of J-Hook sizes on the market. The full range provides a bending radius that meets TIA standards for Cat 6a and easily accommodates Cat 7, large-diameter optical fibre, inner duct and coaxial cable.

See for yourself how the versatile CADDY CAT LINKS can simplify your installations while saving time and labour.

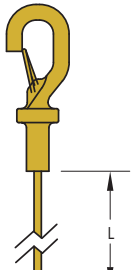


DIN-4102-12



CADDY® SPEED LINK LD 1.5 mm

		L (m)	"Y" L (mm)	Ø (mm)	P					SF
HOOK										
195920	SLD15L2	2	-	1.5	P1	100	5x20	195 N	5:1	
195955	SLD15L3	3	-	1.5	P1	100	5x20	195 N	5:1	
195925	SLD15L5	5	-	1.5	P1	100	5x20	195 N	5:1	
195930	SLD15L10	10	-	1.5	P1	100	5x20	195 N	5:1	



CADDY® SPEED LINK 2.0 mm

		Fig. #	Ø (mm)	L	"Y" L (mm)	P				SF
HOOK										
195805	SLD2L2	1	2.0	2 m		P1	100	10x10	440 N	5:1
195810	SLD2L3	1	2.0	3 m		P1	100	10x10	440 N	5:1
195815	SLD2L5	1	2.0	5 m		P1	50	5x10	440 N	5:1
195820	SLD2L10	1	2.0	10 m		P1	25	5x5	440 N	5:1
INTEGRAL Y-HOOK										
196026	SLD2YH500L7	2	2.0	7 m	500	P1	20	2x10	440 N	5:1



Fig. #1



Fig. #2

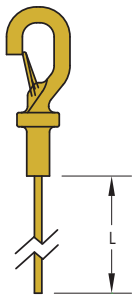


Fig. #1

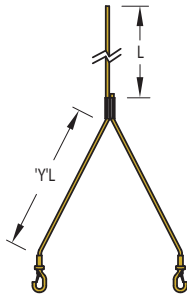
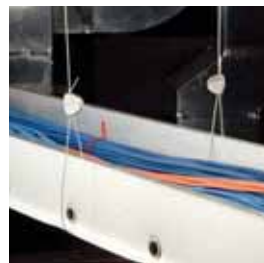
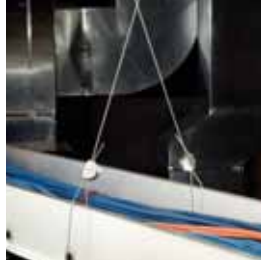
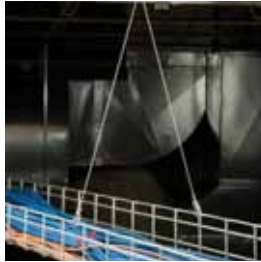
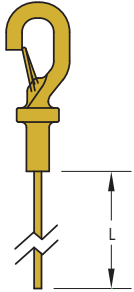


Fig. #2



CADDY® SPEED LINK 3.0 mm

🌐	📖	L (m)	Ø (mm)	P	📦	📦	⬇️	SF
HOOK								
195830	SLD3L2	2	3.0	P1	100	10x10	880 N	5:1
195835	SLD3L3	3	3.0	P1	50	5x10	880 N	5:1
195840	SLD3L5	5	3.0	P1	50	5x10	880 N	5:1
195845	SLD3L10	10	3.0	P1	25	5x5	880 N	5:1



CADDY® SPEED LINK

🌐	📖	Fig. #	L	M (mm)	Ø (mm)	P	📦	📦	⬇️
CFEB05									
195864	CFEB05	1	-	-	-	-	100	-	700 N
LOCKING DEVICE									
196009	QLD200	2	-	-	2.0,3.0	P1	200	40x5	-
SLESH									
195858	SLEBWS	3	60 mm	6	8.75	P1	100	-	-
SLESM									
195854	SLEBM6	4	30 mm	6	-	P1	100	-	-
195856	SLEBM8	4	40 mm	8	-	P1	100	-	-
SLWC									
195853	SLWC	5	-	-	-	-	1	-	-
WIRE SPOOL									
196002	SLC2L1000SP	6	300m	-	2	P1	1	-	440 N
196003	SLC3L1000SP	6	300m	-	3	P1	1	-	880 N



Fig. #1



Fig. #2



Fig. #3



Fig. #4

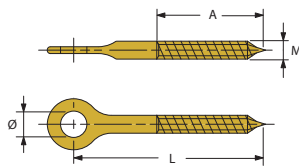


Fig. #3

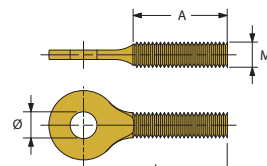


Fig. #4



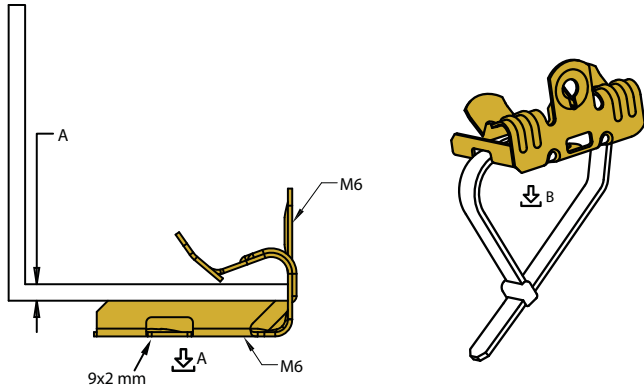
Fig. #5



Fig. #6



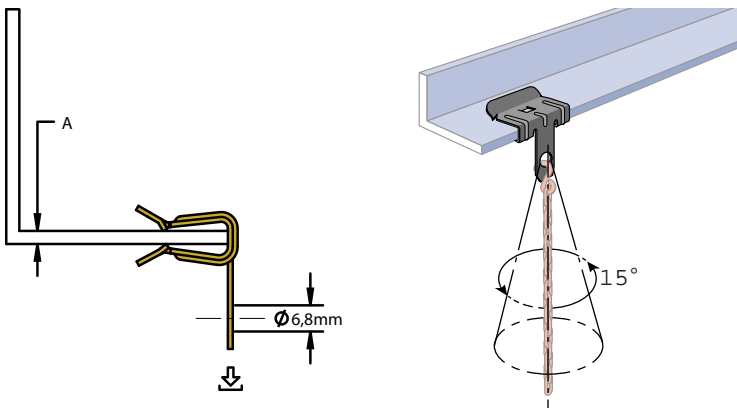
		A (mm)		↓ A	↓ B
P21					
170050	EM24	3 - 8	100	450	150
170060	EM58	8 - 14	100	450	150
170070	EM912	14 - 20	100	450	150



H



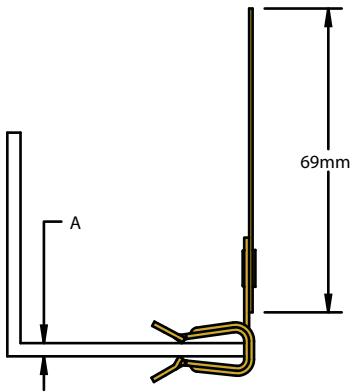
		A (mm)		↓
P21				
170010	2H4	2 - 3	100	700 N
170020	4H24	3 - 8	100	900 N
170030	4H58	8 - 14	100	900 N
170040	4H912	14 - 20	100	900 N



H-ST3



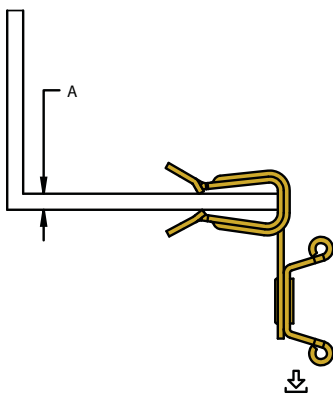
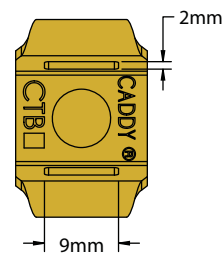
			A (mm)		
P21					
173420	2H4ST3		2 - 3	100	-
171500	4H24ST3		3 - 8	100	-
171530	4H58ST3		8 - 14	100	-
171640	4H912ST3		14 - 20	100	-
<hr/>					
172340	4H24ST3		3 - 8	250	10x25
172370	4H58ST3		8 - 14	250	10x25
172400	4H912ST3		14 - 20	250	10x25



H-CT

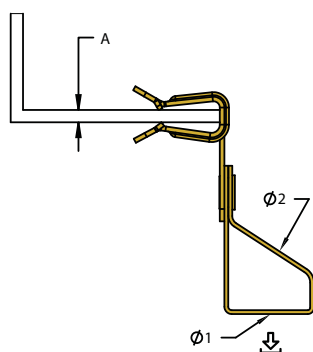


			A (mm)			
P21						
178510	2H4CT		2 - 3	100	-	150 N
178520	4H24CT		3 - 8	100	-	150 N
178530	4H58CT		8 - 14	100	-	150 N
178540	4H912CT		14 - 20	100	-	150 N
<hr/>						
172330	4H24CT		3 - 8	250	10x25	150 N
172360	4H58CT		8 - 14	250	10x25	150 N
172390	4H912CT		14 - 20	250	10x25	150 N





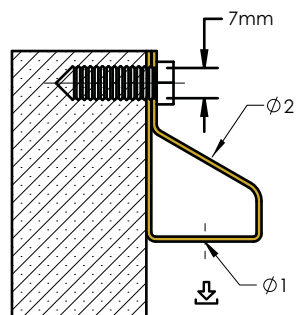
🌐	📖	A (mm)	Ø 1	Ø 2 (mm)	P	📦	📦	⬇️
174810	M6Ti4	2 - 3	M6	11x15	P21	100	-	700 N
174820	M6Ti24	3 - 8	M6	11x15	P21	100	-	900 N
174830	M6Ti58	8 - 14	M6	11x15	P21	100	-	900 N
174840	M6Ti912	14 - 20	M6	11x15	P21	100	-	900 N
174900	M8Ti4	2 - 3	M8	11x15	P21	100	-	700 N
174910	M8Ti24	3 - 8	M8	11x15	P21	100	-	900 N
174920	M8Ti58	8 - 14	M8	11x15	P21	100	-	900 N
174930	M8Ti912	14 - 20	M8	11x15	P21	100	-	900 N
174990	M10Ti4	2 - 3	M10	11x15	P21	100	-	700 N
175000	M10Ti24	3 - 8	M10	11x15	P21	100	-	900 N
175010	M10Ti58	8 - 14	M10	11x15	P21	100	-	900 N
175020	M10Ti912	14 - 20	M10	11x15	P21	100	-	900 N
175860	M6Ti24	3 - 8	M6	11x15	P21	250	10x25	900 N
175870	M6Ti58	8 - 14	M6	11x15	P21	250	10x25	900 N
160000	Ti04	2 - 3	11 mm	11x15	P21	100	-	700 N
160010	Ti024	3 - 8	11 mm	11x15	P21	100	-	900 N
160020	Ti058	8 - 14	11 mm	11x15	P21	100	-	900 N
160030	Ti0912	14 - 20	11 mm	11x15	P21	100	-	900 N



T



🌐	📖	Ø1	Ø2 (mm)	P	📦	⬇️
174800	M6Ti	M6	11x15	P21	100	700 N
170900	M8Ti	M8	11x15	P21	100	700 N
170910	M10Ti	M10	11x15	P21	100	700 N
160260	T10	11 mm	11x15	P21	100	700 N



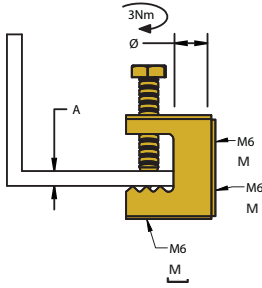
EBC / BC



		A	M	Ø	P		
170380	EBC	<16 mm	M6	10.5 mm	P21	100	450 N



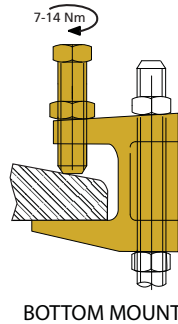
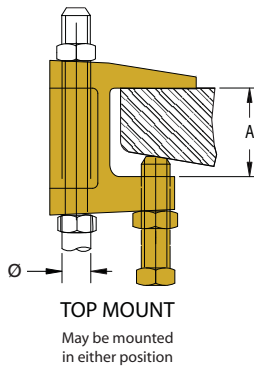
		A	M	Ø	P		
BC		<1/2"	1/4"	3/8"	P21	100	450 N



TK300M



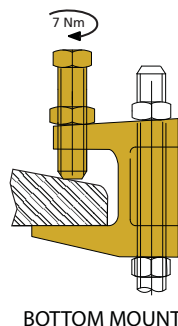
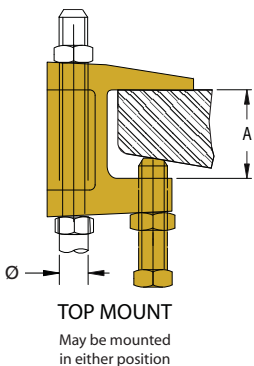
	A (mm)	Ø	P			SF	Approvals
389511	19	11 mm	P1	100	2500 N	3:1	VdS, FM
389521	19	13 mm	P1	50	3500 N	3:1	VdS, FM



BTK310M



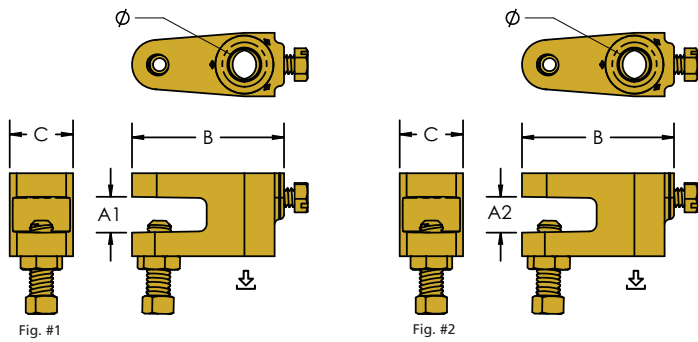
	A (mm)	Ø	P			SF	Approvals
389891	31.8	11 mm	P1	50	2500 N	3:1	VdS, FM
388891	31.8	13 mm	P1	50	3500 N	3:1	VdS, FM



CADDY® ROD LOCK



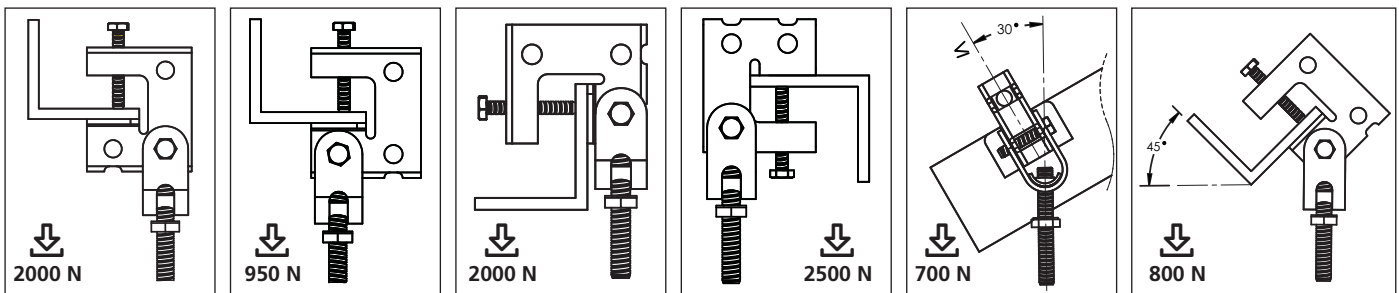
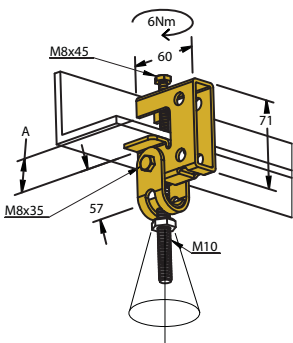
Fig. #	B (mm)	C (mm)	∅	P	∅	↓		
390002 / CRLBM10EG								
A1 (mm)	3-9	1	51	21	M10	P1	100	1100 N
A2 (mm)	9.5-11.5	2	51	21	M10	P1	100	2200 N



HB2



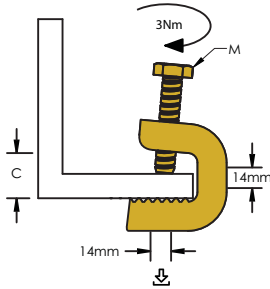
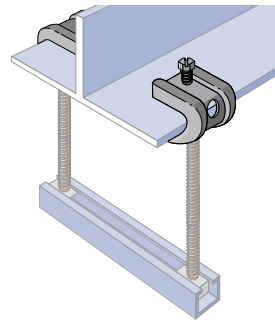
A (mm)	∅		
P1			
336030	HB2-1	<24	50
P3			
336040	HB2-3	<24	50



C

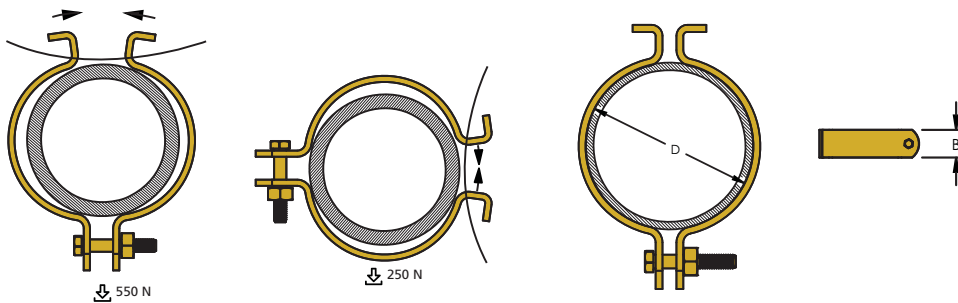
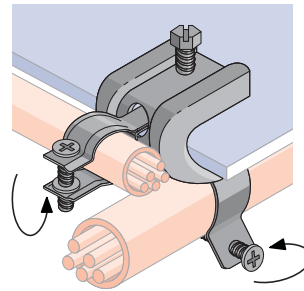


			C (mm)	M (mm)		
P3						
336100	C20-3	20	6 x 25	100	1100 N	
336110	C30-3	30	8 x 30	100	1100 N	
336120	C45-3	45	8 x 30	50	1100 N	
P2						
336130	C20-2	20	6 x 25	100	1100 N	
336140	C30-2	30	8 x 30	100	1100 N	
336150	C45-2	45	8 x 30	50	1100 N	



CR

			B (mm)	D (mm)	
P3					
336300	CR17-3	16	16.0 - 20.0	200	
336310	CR21-3	16	20.4 - 25.0	100	
336320	CR28-3	16	26.9 - 31.8	100	
336330	CR37-3	20	33.7 - 38.0	50	
336340	CR42-3	20	40.0 - 44.5	50	
336350	CR48-3	20	47.0 - 51.0	50	
336360	CR60-3	20	59.2 - 63.5	25	
P2					
336400	CR17-2	16	16.0 - 20.0	200	
336410	CR21-2	16	20.4 - 25.0	100	
336420	CR28-2	16	26.9 - 31.8	100	
336430	CR37-2	20	33.7 - 38.0	50	
336440	CR42-2	20	40.0 - 44.5	50	
336450	CR48-2	20	47.0 - 51.0	50	
336460	CR60-2	20	59.2 - 63.5	25	



VF14



🌐	📖	Fig. #	A (mm)	∅ (mm)	P	📦	⬇️
179850	VF14	1	1.5 - 6.0	—	P21	100	600 N
179060	VF14T10	2	1.5 - 6.0	11	P21	100	600 N
179065	VF14M8Ti	2	1.5 - 6.0	11	P21	100	600 N
179070	VF14M6Ti	2	1.5 - 6.0	11	P21	100	600 N
179075	VF14M10Ti	2	1.5 - 6.0	11	P21	100	600 N
	VF146T	3	1.5 - 6.0	11	P21	100	600 N



Fig. 1



Fig. 2



Fig. 3

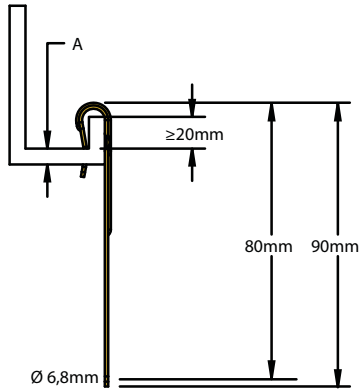


Fig. 1

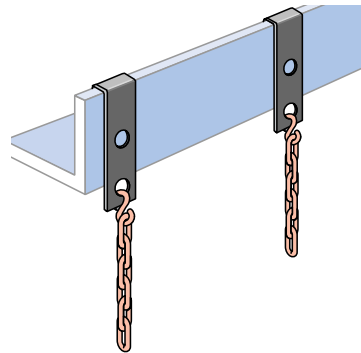
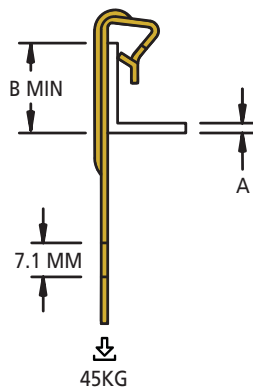


Fig. 2

APC



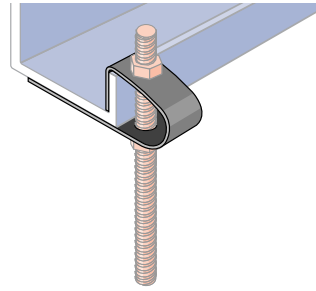
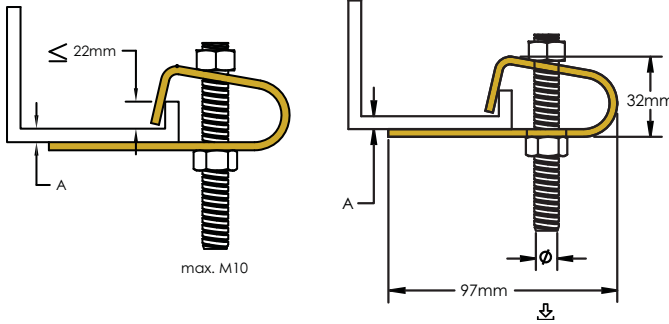
🌐	A (mm)	B (mm)	P	📦	⬇️
APC	1.5 - 4.0	12.5	P21	100	450 N



D1

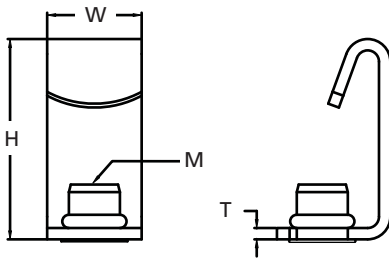


🌐	📖	A (mm)	∅ (mm)	P	🏠	⬇️
336280	D1	≤4.0	11	P1	100	1200 N



E2

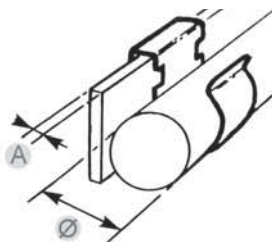
🌐	H (mm)	W (mm)	T (mm)	M (mm)	P	🏠	⬇️
E28	52	25	3	M8	P1	100	600 N
E210	52	25	3	M10	P1	100	600 N
E212	52	25	3	M12	P1	100	600 N



SC

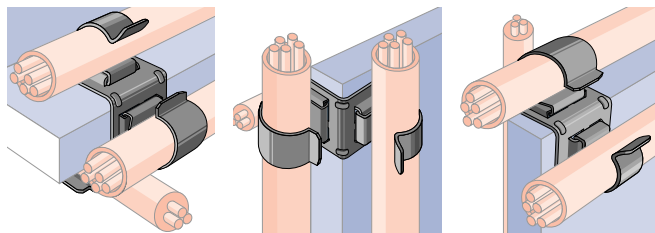
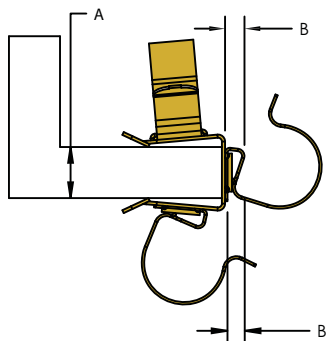


🌐	📖	A (mm)	∅ (mm)	P	🏠
187590	24SC1518	2 - 4	15 - 18	P21	100
187610	24SC1924	2 - 4	19 - 24	P21	100
187630	24SC2530	2 - 4	25 - 32	P21	100
187580	47SC1518	4 - 7	15 - 18	P21	100
187600	47SC1924	4 - 7	19 - 24	P21	100
187620	47SC2530	4 - 7	25 - 32	P21	100
187680	812SC1518	8 - 12	15 - 18	P21	100
187690	812SC1924	8 - 12	19 - 24	P21	100
187700	812SC2530	8 - 12	25 - 32	P21	100





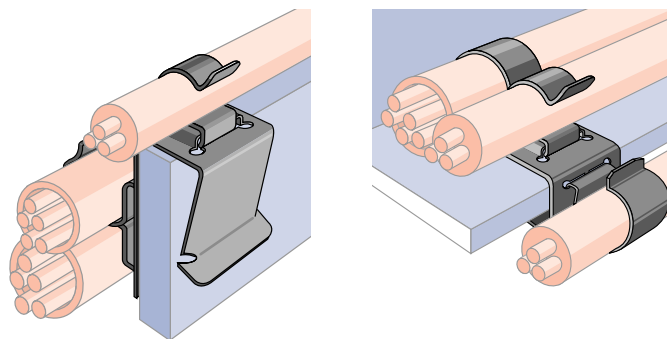
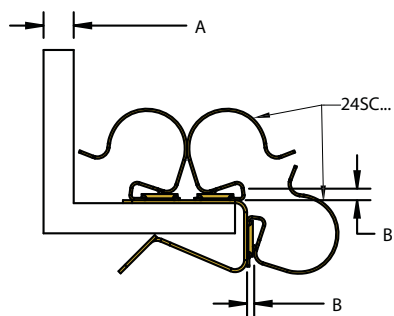
🌐	📖	A (mm)	B (mm)	P	📦
160510	SCA	13 - 20	2 - 4	P21	100



SCB



🌐	📖	A (mm)	B (mm)	P	📦	📦
188080	SCB312	3 - 12	2 - 4	P21	100	-
188090	SCB1220	12 - 20	2 - 4	P21	100	-
172470	SCB312	3 - 12	2 - 4	P21	250	10x25
172480	SCB1220	12 - 20	2 - 4	P21	250	10x25





Icon	Icon	Fig. #	A (mm)	L (mm)	P	Icon
🌐	📖	1	5 - 12	45	P1	📦
187400	LF2	1	5 - 12	45	P1	100
187410	LF3	1	12 - 20	53	P1	100
187420	LF4	2	3 - 6	42	P1	100
187430	LF5	2	6 - 12	49	P1	100

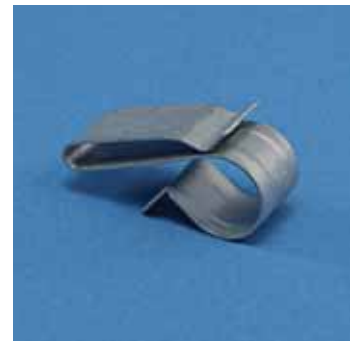
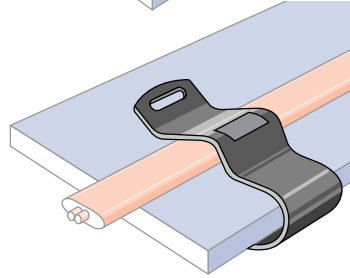
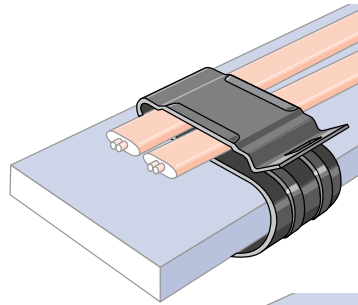
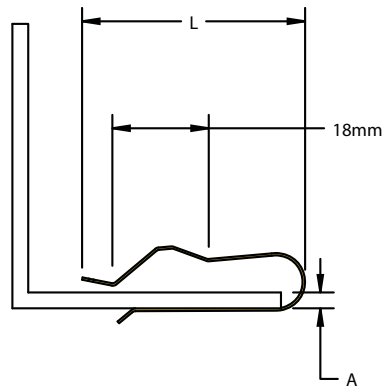
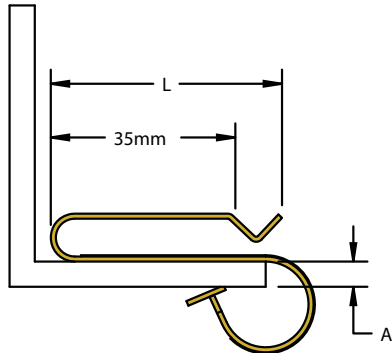


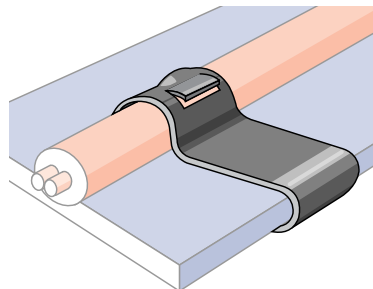
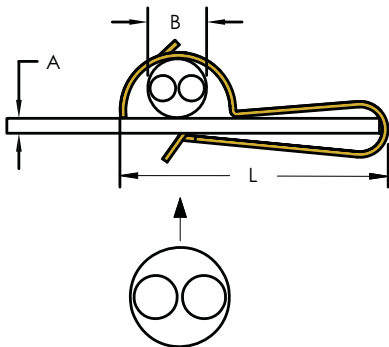
Fig. #1



Fig. #2



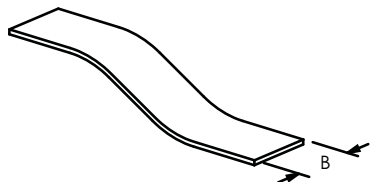
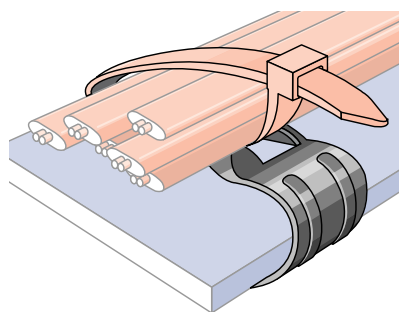
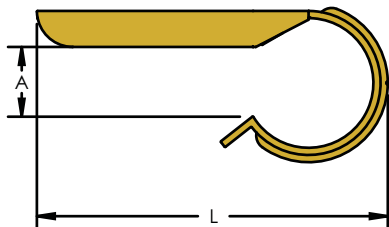
Icon	Icon	A (mm)	B (mm)	L (mm)	P	Icon
🌐	📖	3 - 6	8 - 15	36	P1	📦
187370	LR1	3 - 6	8 - 15	36	P1	100
187380	LR2	6 - 12	8 - 15	36	P1	100



LB3B



187390	LB3B	A (mm)	B (mm)	L (mm)	P	100
		12 - 20	<8	52	P1	

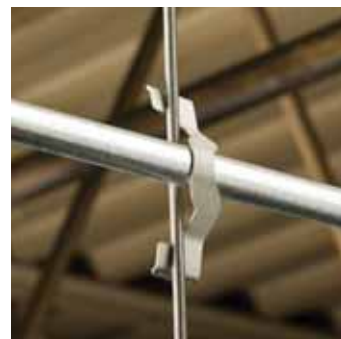
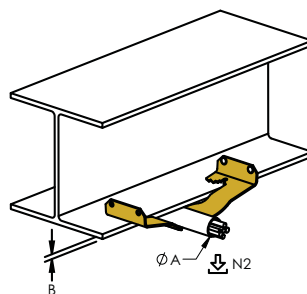
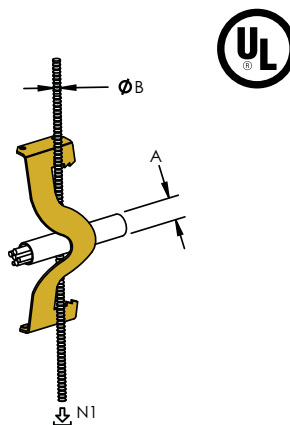


K



170660	K8	ØA (mm)	Ø B	P	100	↓N1
		8-18	M4-M6	P21	100	220 N
170670	K12	18-24	M4-M6	P21	100	220 N
		16-22	M8-M10	P21	100	220 N
		14-20	M12	P21	100	220 N
170680	K16	26-30	M4-M6	P21	100	220 N
		24-26	M8-M10	P21	100	220 N
		22-24	M12	P21	100	220 N
170690	K20	30-42	M4-M6	P21	100	220 N
		25-38	M8-M10	P21	100	220 N
		20-36	M12	P21	100	220 N

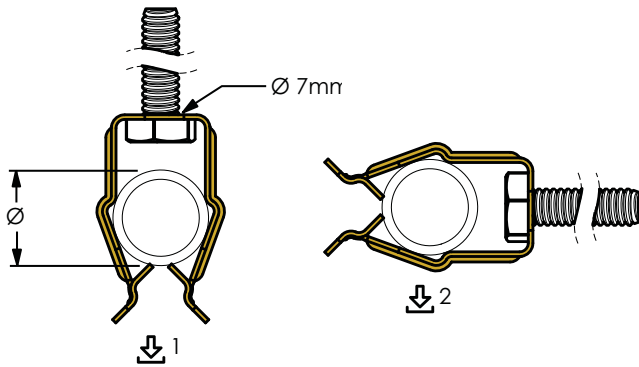
170660	K8	ØA (mm)	B	P	100	↓N2
		3-7	12-16	P21	100	110 N
170670	K12	3-7	16-22	P21	100	110 N
		8-10	14-20	P21	100	110 N
		11-13	12-19	P21	100	110 N
170680	K16	3-7	24-28	P21	100	110 N
		8-10	20-26	P21	100	110 N
		11-13	19-24	P21	100	110 N
170690	K20	3-7	28-40	P21	100	110 N
		8-10	26-38	P21	100	110 N
		11-13	21-35	P21	100	110 N



P



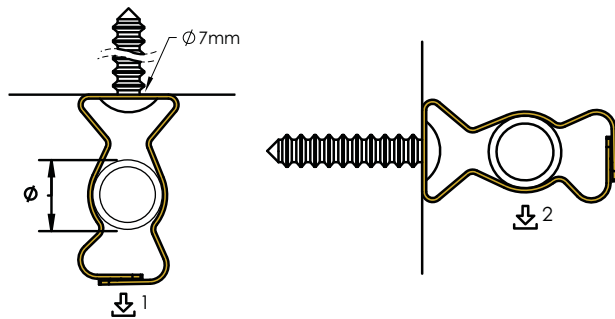
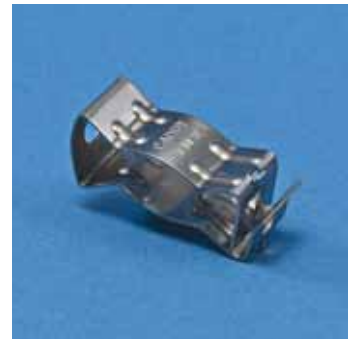
🌐	📖	∅ (mm)	P	📦	↓1	↓2
171130	8P	18 - 22	P21	100	110	65
171150	12P	22 - 30	P21	100	110	65
171170	16P	30 - 35	P21	100	110	65



M



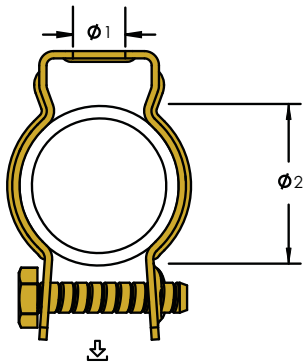
🌐	📖	∅ (mm)	📦	↓1	↓2
P21					
170790	6M	14-18	100	440	110
177130	812M	18-30	100	440	110
170100	16M	30-35	100	440	110
170110	20M	35-42	100	440	110
170120	24M	45-50	100	440	110
170130	32M	50-60	100	440	110
P2					
179900	8M-2	18-22	100	440	110
179910	12M-2	22-30	100	440	110



CD-B



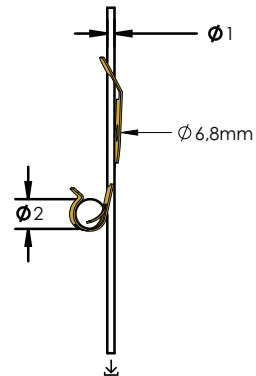
	$\varnothing 1$ (mm)	$\varnothing 2$ (mm)	P		
CD0B	7	17-22	P1	100	70 N
CD2B	7	25-33	P1	100	70 N
CD1B	7	19-25	P1	100	70 N
CD2,5B	7	31-38	P1	100	70 N
CD3B	7	36-43	P1	100	70 N
CD4B	7	40-47	P1	50	70 N
CD5B	7	50-60	P1	50	70 N
CD6B	8	66-76	P1	25	70 N
CD7B	8	80-90	P1	25	70 N
CD8B	8	95-105	P1	10	70 N
CD9B	8	108-115	P1	10	70 N



PCS1

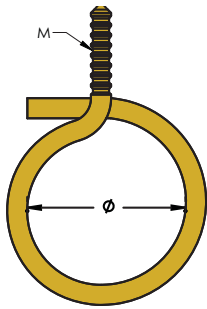


		$\varnothing 1$ (mm)	$\varnothing 2$ (mm)	P			SF
170880	PCS1	2-4	11-14	P21	100	110 N	3:1

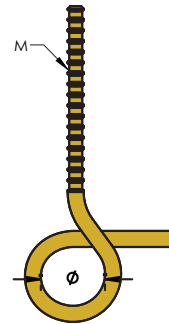




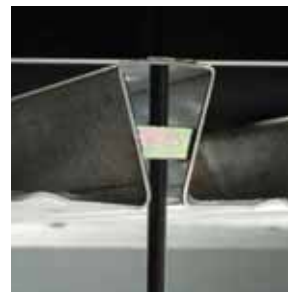
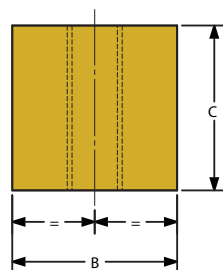
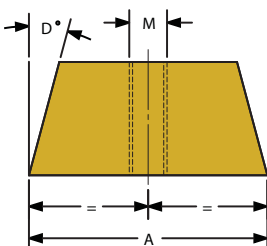
		\emptyset (mm)	M	P			SF
172920	GR50	50	M6	P1	100	220 N	3:1



		\emptyset (mm)	M	P			SF
172921	PTBM6	12	M6	P1	100	220 N	3:1

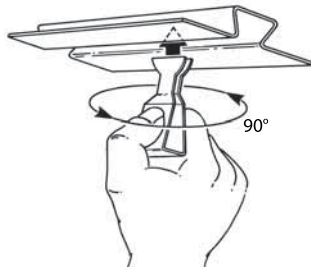
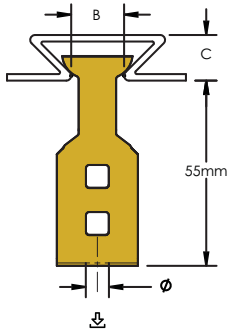


		A (mm)	B (mm)	C (mm)	M	d°	P	
187270	HW6	25	12	12	M6	15°	P1	100
187280	HW8	25	12	12	M8	15°	P1	100
187290	HW10	25	12	12	M10	15°	P1	100

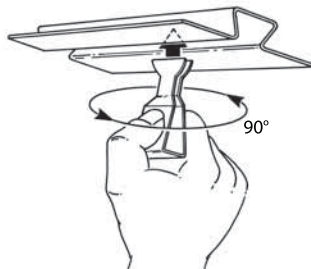
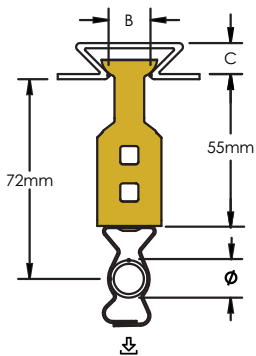




🌐	📖	B (mm)	C (mm)	Ø	P	📦	⬇️
160320	M6GTD12-17	12 - 17	>14	M6	P21	100	600 N
160330	M8GTD12-17	12 - 17	>14	M8	P21	100	900 N
160340	M10GTD12-17	12 - 17	>14	M10	P21	100	900 N
160380	10GTD12-17	12 - 17	>14	10.5 mm	P21	100	900 N
160350	M6GTD17-22	17 - 22	>16	M6	P21	100	600 N
160360	M8GTD17-22	17 - 22	>16	M8	P21	100	900 N
160370	M10GTD17-22	17 - 22	>16	M10	P21	100	900 N
160390	10GTD17-22	17 - 22	>16	10.5 mm	P21	100	900 N

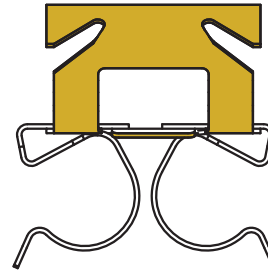
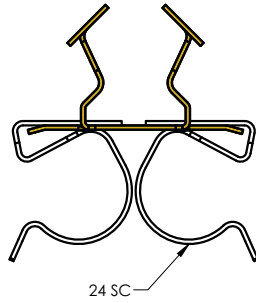
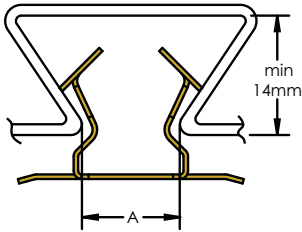


🌐	📖	B (mm)	C (mm)	Ø (mm)	P	📦	⬇️
160400	812MGTD12-17	12 - 17	>14	18-30	P21	50	450 N
160410	812MGTD12-22	17 - 22	>16	18-30	P21	50	450 N





Icon	Code	A (mm)	P	Icon
🌐	SCD12-17	12 - 17	P21	📦
📖	SCD17-22	17 - 22	P21	📦



ES

Icon	Fig. #	A x B x S (mm)	Length (m)	Configuration	Height (mm)	P
🌐	1	41x41x2.5	3.0	Plain	41	P3
	2	41x41x2.5	3.0	Slotted	41	P3
	1	41x41x2.5	6.0	Plain	41	P3
	2	41x41x2.5	6.0	Slotted	41	P3
	3	21x41x2.5	3.0	Plain	21	P3
	4	21x41x2.5	3.0	Slotted	21	P3
	3	21x41x2.5	6.0	Plain	21	P3
	4	21x41x2.5	6.0	Slotted	21	P3



Fig. #1



Fig. #2



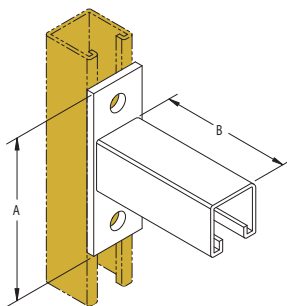
Fig. #3



Fig. #4

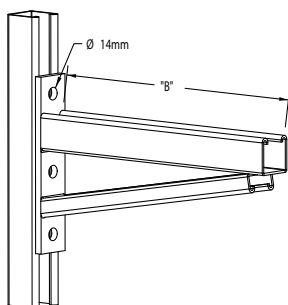
KH

🌐	A (mm)	B (mm)	P
KH10C	125	150	P3
KH5C	125	200	P3
KH6C	125	250	P3
KH11C	125	300	P3
KH15C	125	400	P3
KH12C	125	450	P3
KH16C	125	550	P3
KH13C	125	600	P3
KH8C	125	650	P3
KH9C	125	700	P3
KH14C	125	750	P3



ECB

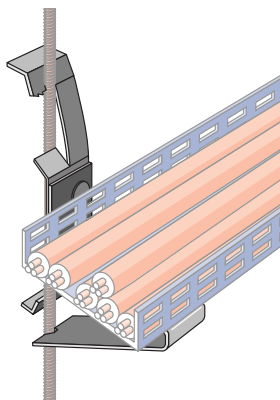
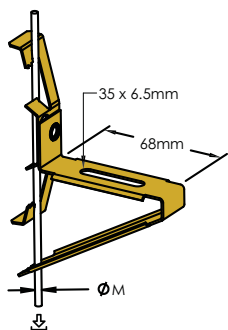
🌐	B (mm)	P
ECB150	320.0	P3
ECB300	470.0	P3
ECB450	635.0	P3
ECB600	780.0	P3



Z-CTS



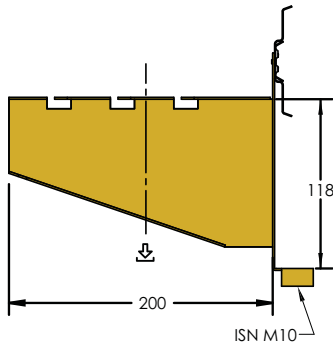
🌐	📖	Ø	P	📦	↓
172950	4Z34CTS	M4 - M8	P21	50	110 N
172960	6Z34CTS	M8 - M12	P21	50	110 N





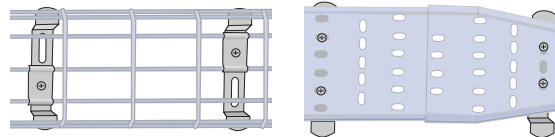
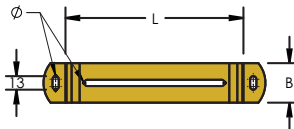
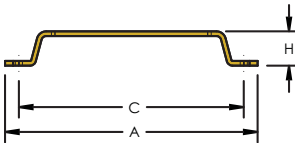
6Z34TFB

		M	P		
171160	6Z34TFB	M10	P21	25	300 N



ECTB

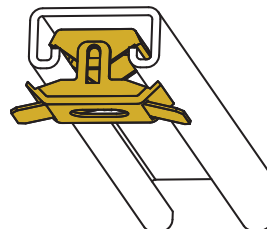
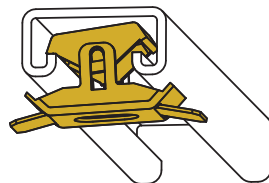
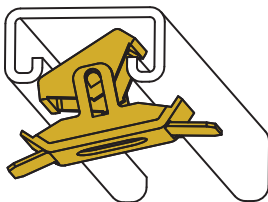
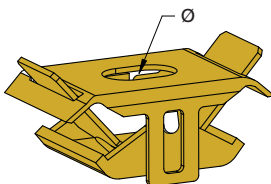
		A (mm)	B (mm)	C (mm)	Ø (mm)	H (mm)	L (mm)	P	
175650	ECTB2	186	38	160.5	6.5	25	127.0	P1	25
175660	ECTB3	283	38	257.5	6.5	25	225.0	P1	14
175670	ECTB4	360	38	333.5	6.5	25	298.5	P1	14
175950	ECTB5	520	38	494.5	6.5	25	460.0	P1	14



CADDY® SLICK NUT



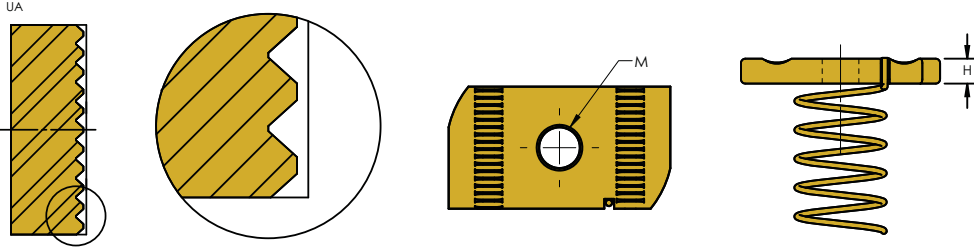
		Ø	P		
174340	SLICK M8	M8	P21	100	1500 N
174350	SLICK M10	M10	P21	100	1500 N
SLICK375		3/8-16	P21	100	1500 N



UA



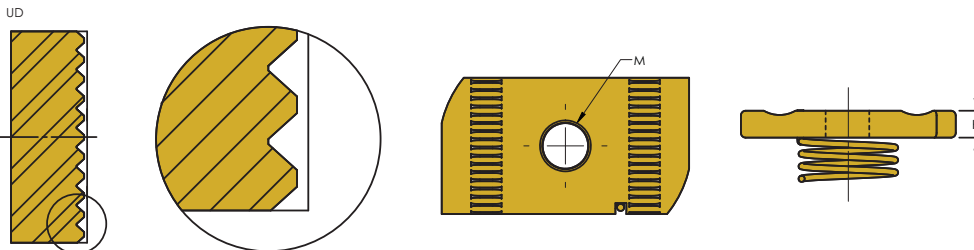
			H	M		
P3						
315080	UA 506-3	5 mm	M6	100	12 N-m	
315090	UA 608-3	6 mm	M8	100	28 N-m	
315100	UA 810-3	8 mm	M10	100	55 N-m	
315110	UA 812-3	8 mm	M12	100	95 N-m	



UD



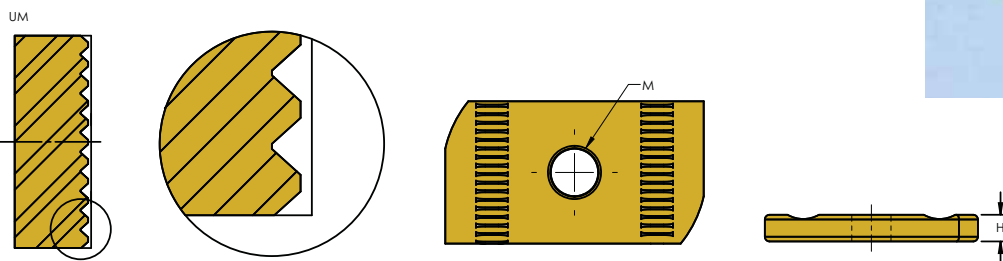
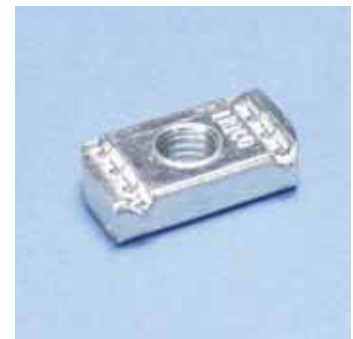
			H (mm)	M		
P3						
315040	UD 506-3	5	M6	100	12 N-m	
315050	UD 608-3	6	M8	100	28 N-m	
315060	UD 810-3	8	M10	100	55 N-m	
315070	UD 812-3	8	M12	100	95 N-m	



UM



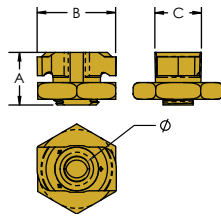
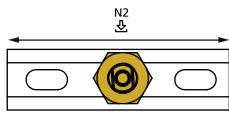
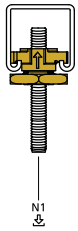
			H (mm)	M		
P3						
315000	UM 506-3	5	M6	100	12 N-m	
315010	UM 608-3	6	M8	100	28 N-m	
315020	UM 810-3	8	M10	100	55 N-m	
315030	UM 812-3	8	M12	100	95 N-m	
315037		8	M16	100	125 N-m	



CADDY® ROD LOCK - S



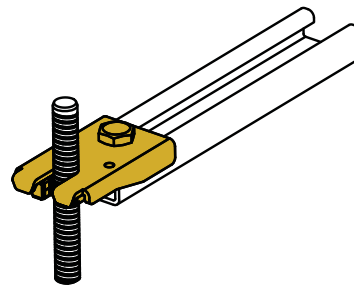
			A (mm)	B (mm)	C (mm)	Ø	P		↓N1	↓N2
390004	CRLSM10EG		23	35	13	M10	P1	100	3750 N	1750 N



ISSP

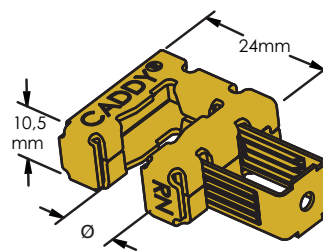


			M	P		↓
190820	ISSP M8		M8	P1	24	1000 N
190830	ISSP M10		M10	P1	24	1000 N



ISN

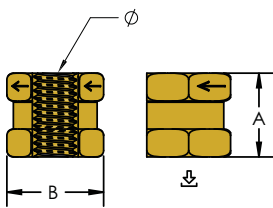
			Ø	P		↓
187340	ISN M6		M6	P1	50	550 N
187350	ISN M8		M8	P1	50	660 N
187360	ISN M10		M10	P1	50	660 N
ISN375			3/8-16	P1	50	660 N



SN



		A (mm)	B (mm)	Ø	P		
390007	SNM10	19	22	M10	P1	100	6000 N



SK

		Fig. #	Conduit Size Ø (mm)	Static Load (lbs)	P	
190050	SK405I	1	63.5	350	P1	50
190060	SK485I	1	76.2	350	P1	50
190070	SK565I	1	88.9	350	P1	25
190080	SK645I	1	101.6	350	P1	25
190090	SK85I	2	12.7	200	P1	100
190000	SK125I	2	19.0	200	P1	100
190010	SK165I	2	25.4	200	P1	100
190020	SK205I	2	31.8	200	P1	100
190030	SK245I	2	38.1	200	P1	50
190040	SK325I	2	50.8	200	P1	50



Fig. #1



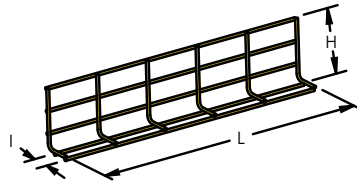
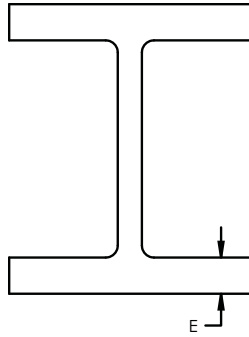
Fig. #2



BTF



🌐	📖	E (mm)	H (mm)	I	L (mm)	P	📦
160820	BTF24	3 - 8	110	50	1500	P1	10
160830	BTF58	8 - 14	110	50	1500	P1	10
160840	BTF912	14 - 20	110	50	1500	P1	10



MP1WWM

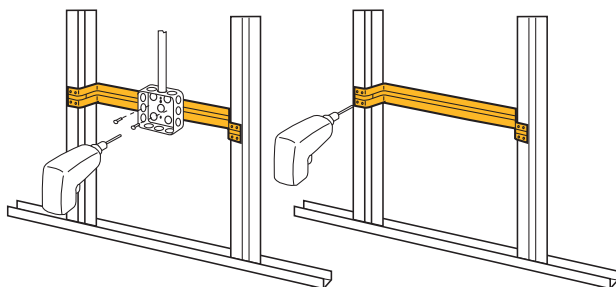
🌐	📖
MP1WWM	100



TSGB



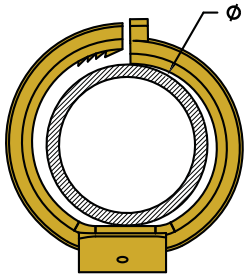
🌐	📖	L (mm)	P	📦
187190	TSGB16	280 - 458	P1	50
187191	TSGB24	432 - 660	P1	50



CADDY® CAT CR50

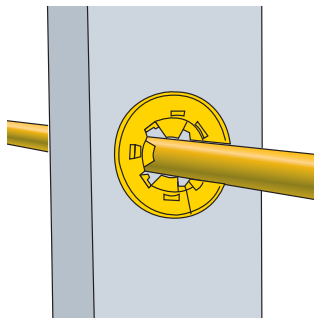


		\varnothing (mm)	P		
182335	CATCR50	<50	P12	25	45 N



ESGP

		Pipe Size (mm)	
ESGP	Metal Stud Anti-Rattle Grommet	15.0 - 25.0	100



MSP20



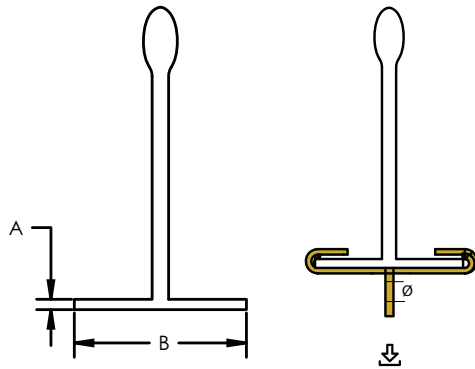
188480	MSP20	1





4G16H

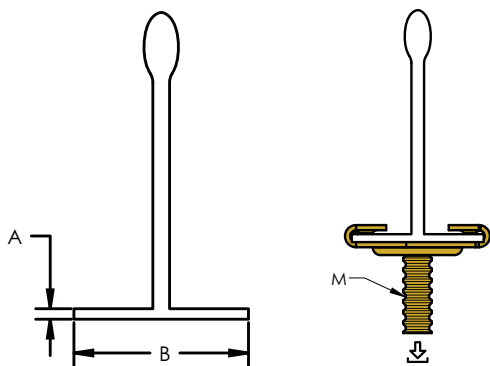
		A (mm)	B (mm)	Ø (mm)	P		
170230	4G16H	1.5	24 - 26	6.4	P21	100	180 N
576950	4G16H-6	1.5	24 - 26	6.4	P6.1	100	180 N



4G16M



		A (mm)	B (mm)	M (mm)		
176710	4G16M16	1.5	24 - 26	6 x 16	100	220 N

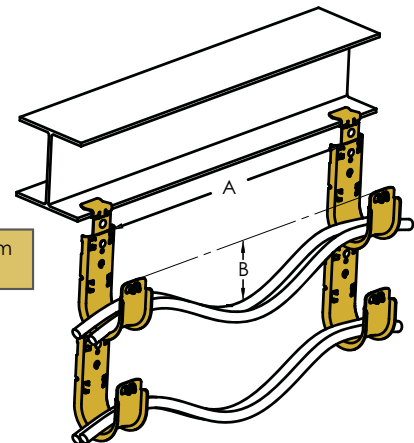
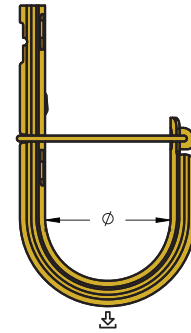




Icon	Icon	Ø (mm)	P	Icon	Icon	SF
181061	CAT16HPE	25	P1	50	267 N	3:1
181062	CAT32HPE	50	P1	50	267 N	3:1
181063	CAT48HPE	75	P1	25	267 N	3:1







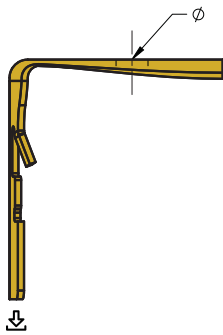
Icon	Icon	AWG	Ø (mm)	CAT16HPE	CAT32HPE	CAT48HPE
UTP	4	24	5	25	90	210
FTP	4	24	6	15	60	145
SFTP	4	24	6	15	60	145
SFTP	4	23	7	12	45	105
F/STP	4	23	8.5	9	30	70
SFTP	4	23	8.5	9	30	70
UTP	2 x 4	24	5 x 10	10	35	80
FTP	2 x 4	24	6 x 12.5	6	20	55
SFTP	2 x 4	24	6 x 13	6	20	50
SFTP	3 x 4	24	14	3	12	25
UTP	25	24	13	4	14	30
Cat 5e	-	-	5.26	20	80	190
Cat 6	-	-	6.63	14	50	120
Cat 6a (min)	-	-	7.62	11	35	90
Cat 6a (max)	-	-	8.99	8	25	65



CATHPEAN





NEW

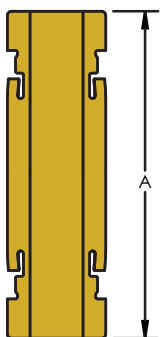
		\emptyset (mm)	P			SF
181065	CATHPEAN	4.7	P21	50	712 N	3:1
181066	CATHPEA4	7.2	P21	50	890 N	3:1
181067	CATHPEA6	10.4	P21	50	890 N	3:1



CATHPETM

NEW

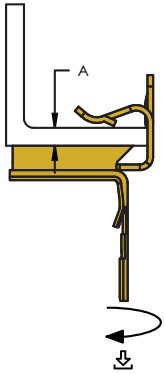
		A (mm)	P			SF
181069	CATHPETM	111	P21	50	890 N	3:1



CATHPE-EM



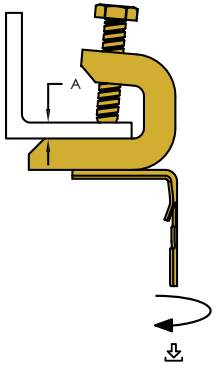
🌐	📖	A (mm)	P	📦	⬇️	SF
181091	CATHPE24	3 - 8	P21	25	334 N	3:1
181071	CATHPE58	8 - 14	P21	25	334 N	3:1
181072	CATHPE912	14 - 20	P21	25	334 N	3:1



CATHPEBC200B



🌐	📖	A (mm)	P	📦	⬇️	SF
181074	CATHPEBC200B	<16	P1	25	445 N	3:1

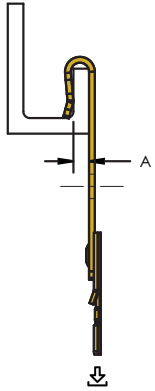


CATHPEVF14

NEW



Icon: Globe	Icon: Book	A (mm)	P	Icon: Hexagon	Icon: Down Arrow	SF
181081	CATHPEVF14	1.5 - 6	P21	50	712 N	3:1

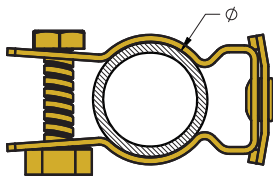


CATHPE - CD

NEW



Icon: Globe	Icon: Book	Ø (mm)	P	Icon: Hexagon	Icon: Down Arrow	SF
181085	CATHPECD0B	17-22	P1	25	70	3:1
181086	CATHPECD1B	19-25	P1	25	70	3:1
181088	CATHPECD2.5B	31-38	P1	25	70	3:1
181087	CATHPECD2B	25-33	P1	25	70	3:1

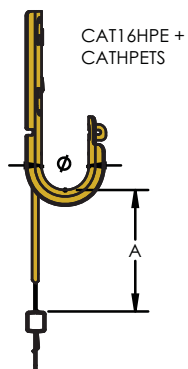


CATHPETS

NEW



181089	CATHPETS	Ø (mm)	A (mm)	P	25
		25	65	P21	25

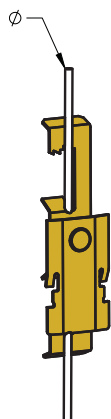


CATHPE-Z

NEW



181084	CATHPE6Z34	Ø	P	50	110	SF
		M8-M12	P21	50	110	3:1





Visit the ERICO website at www.erico.com for new product information, up-to-date product specifications and applications, a list of upcoming events and industry tradeshow participation and more.

A full literature library provides pertinent literature in an easy-to-download PDF format. This is a great way to stay informed on all the current publications. New product brochures and datasheets are posted as soon as they are printed.

In the News & Events section, customers can find new product updates, press releases and lists of seminars.

Locations and contact information is listed for ERICO offices around the world as well as where to buy ERICO products.

www.erico.com provides a convenient way to get the answers you need day or night. Visit ERICO online.

WARNING

ERICO products shall be installed and used only as indicated in ERICO's product instruction sheets and training materials. Instruction sheets are available at www.erico.com and from your ERICO customer service representative. Improper installation, misuse, misapplication or other failure to completely follow ERICO's instructions and warnings may cause product malfunction, property damage, serious bodily injury and death.

WARRANTY

ERICO products are warranted to be free from defects in material and workmanship at the time of shipment. NO OTHER WARRANTY, WHETHER EXPRESS OR IMPLIED (INCLUDING ANY WARRANTY OF MERCHANTABILITY OR FITNESS FOR A PARTICULAR PURPOSE), SHALL EXIST IN CONNECTION WITH THE SALE OR USE OF ANY ERICO PRODUCTS. Claims for errors, shortages, defects or nonconformities ascertainable upon inspection must be made in writing within 5 days after Buyer's receipt of products. All other claims must be made in writing to ERICO within 6 months from the date of shipment or transport. Products claimed to be nonconforming or defective must, upon ERICO's prior written approval in accordance with its standard terms and procedures governing returns, promptly be returned to ERICO for inspection. Claims not made as provided above and within the applicable time period will be barred. ERICO shall in no event be responsible if the products have not been stored or used in accordance with its specifications and recommended procedures. ERICO will, at its option, either repair or replace nonconforming or defective products for which it is responsible or return the purchase price to the Buyer. THE FOREGOING STATES BUYER'S EXCLUSIVE REMEDY FOR ANY BREACH OF ERICO WARRANTY AND FOR ANY CLAIM, WHETHER SOUNDING IN CONTRACT, TORT OR NEGLIGENCE, FOR LOSS OR INJURY CAUSED BY THE SALE OR USE OF ANY PRODUCT.

LIMITATION OF LIABILITY

ERICO excludes all liability except such liability that is directly attributable to the willful or gross negligence of ERICO's employees. Should ERICO be held liable its liability shall in no event exceed the total purchase price under the contract. ERICO SHALL IN NO EVENT BE RESPONSIBLE FOR ANY LOSS OF BUSINESS OR PROFITS, DOWNTIME OR DELAY, LABOR, REPAIR OR MATERIAL COSTS OR ANY SIMILAR OR DISSIMILAR CONSEQUENTIAL LOSS OR DAMAGE INCURRED BY BUYER.

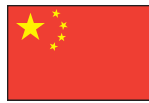
ERICO®



www.erico.com



AUSTRALIA
Phone 1-800-263-508
Fax 1-800-423-091



CHINA
Phone +86-21-3430-4878
Fax +86-21-5831-8177



HUNGARY
Phone 06-800-16538
Fax +39-0244-386-107



NORWAY
Phone 800-100-73
Fax 800-100-66



SWITZERLAND
Phone 0800-55-86-97
Fax 0800-55-96-15



BELGIUM
Phone 0800-757-48
Fax 0800-757-60



DENMARK
Phone 808-89-372
Fax 808-89-373



INDONESIA
Phone +62-21-575-0941
Fax +62-21-575-0942



POLAND
Phone +48-71-349-04-60
Fax +48-71-349-04-61



THAILAND
Phone +66-2-267-5776
Fax +66-2-636-6988



BRAZIL
Phone +55-11-3623-4333
Fax +55-11-3621-4066



FRANCE
Phone 0-800-901-793
Fax 0-800-902-024



ITALY
Phone 800-870-938
Fax 800-873-935



SINGAPORE
Phone +65-6-268-3433
Fax +65-6-268-1389



UNITED ARAB EMIRATES
Phone +971-4-881-7250
Fax +971-4-881-7270



CANADA
Phone +1-800-677-9089
Fax +1-800-677-8131



GERMANY
Phone 0-800-189-0272
Fax 0-800-189-0274



MEXICO
Phone +52-55-5260-5991
Fax +52-55-5260-3310



SPAIN
Phone 900-993-154
Fax 900-807-333



UNITED KINGDOM
Phone 0808-2344-670
Fax 0808-2344-676



CHILE
Phone +56-2-370-2908
Fax +56-2-369-5657



HONG KONG
Phone +852-2764-8808
Fax +852-2764-4486



NETHERLANDS
Phone 0800-0200-135
Fax 0800-0200-136



SWEDEN
Phone 020-790-908
Fax 020-798-964



UNITED STATES
Phone 1-800-753-9221
Fax +1-440-248-0723

ERICO products may be purchased from the following independent distributor: