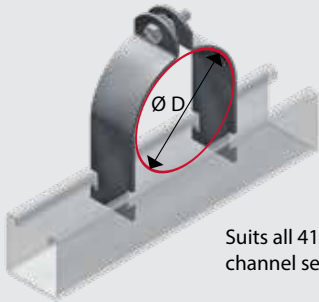


E5 CHANNEL CLIP



Suits all 41mm wide channel section.

E5 Channel Clip offers a quick and straightforward strut supported mod for securing cables, conduit or pipe. Time saving installation process with a single fastener (included). Other finishes and sizes available as made to order.

Refer to pages 120-121 for Pipe NB reference.
Pull Out Load: 400kg
Slip Out: 400kg

Ø D	Material (W x T)*	Bolt Size	Zinc Plated (AS1789:2003)		Hot Dip Galvanised (AS/NZS4680:2006)		Stainless Steel (316)	
			Part No.	Service Guide	Part No.	Service Guide	Part No.	Service Guide
11	32 x 1.6	M6x30	E5-11Z	B	E5-11H	A	E5-11S	B
14	32 x 1.6	M6x30	E5-14Z	A	E5-14H	A	E5-14S	A
17	32 x 1.6	M6x30	E5-17Z	A	E5-17H	A	E5-17S	B
19	32 x 1.6	M6x30	E5-19Z	A	E5-19H	A	E5-19S	A
21	32 x 1.6	M6x30	E5-21Z	A	E5-21H	A	E5-21S	A
25	32 x 1.6	M6x30	E5-25Z	A	E5-25H	A	E5-25S	A
27	32 x 1.6	M6x30	E5-27Z	B	E5-27H	A	E5-27S	B
29	32 x 1.6	M6x30	E5-29Z	B	E5-29H	A	E5-29S	B
32	32 x 1.6	M6x30	E5-32Z	A	E5-32H	A	E5-32S	A
34	32 x 1.6	M6x30	E5-34Z	A	E5-34H	A	E5-34S	A
38	32 x 1.6	M6x30	E5-38Z	A	E5-38H	A	E5-38S	A
43	32 x 1.6	M6x30	E5-43Z	A	E5-43H	A	E5-43S	A
48	32 x 2.5	M6x30	E5-48Z	A	E5-48H	A	E5-48S	A
51	32 x 2.5	M6x30	E5-51Z	A	E5-51H	A	E5-51S	A
54	32 x 2.5	M6x30	E5-54Z	A	E5-54H	A	E5-54S	A
57	32 x 2.5	M6x30	E5-57Z	A	E5-57H	B	E5-57S	B
60	32 x 2.5	M6x30	E5-60Z	A	E5-60H	A	E5-60S	A
64	32 x 2.5	M6x50	E5-64Z	A	E5-64H	A	E5-64S	A
67	32 x 2.5	M6x50	E5-67Z	A	E5-67H	B	E5-67S	B
70	32 x 2.5	M6x50	E5-70Z	A	E5-70H	A	E5-70S	B
73	32 x 2.5	M6x50	E5-73Z	A	E5-73H	B	E5-73S	B
76	32 x 2.5	M6x50	E5-76Z	A	E5-76H	A	E5-76S	A
79	32 x 2.5	M6x50	E5-79Z	A	E5-79H	A	E5-79S	B
83	32 x 2.5	M6x50	E5-83Z	A	E5-83H	A	E5-83S	B
86	32 x 2.5	M6x50	E5-86Z	B	E5-86H	C	E5-86S	B
89	32 x 2.5	M6x50	E5-89Z	A	E5-89H	A	E5-89S	A
92	32 x 2.5	M6x50	E5-92Z	A	E5-92H	A	E5-92S	A
95	32 x 2.5	M6x50	E5-95Z	B	E5-95H	B	E5-95S	B

Service Guide Key: A Usually in stock at all branches B Usually in stock at head office
C Normal lead time D Made to Order (lead time on enquiry)

FASTENERS

STRUT SYSTEMS

CABLE SUPPORTS

FIRERATED

PIPE SUPPORTS

E5 CHANNEL CLIP (CONTINUED)								
Ø D	Material (W x T)	Bolt Size	Zinc Plated (AS1789:2003)		Hot Dip Galvanised (AS/NZS4680:2006)		Stainless Steel (316)	
			Part No.	Service Guide	Part No.	Service Guide	Part No.	Service Guide
98	32 x 2.5	M6x50	E5-98Z	B	E5-98H	B	E5-98S	B
102	32 x 2.5	M8x50	E5-102Z	A	E5-102H	A	E5-102S	A
105	32 x 2.5	M8x50	E5-105Z	C	E5-105H	A	E5-105S	B
108	32 x 2.5	M8x50	E5-108Z	B	E5-108H	A	E5-108S	C
111	32 x 2.5	M8x50	E5-111Z	B	E5-111H	A	E5-111S	B
114	32 x 2.5	M8x50	E5-114Z	A	E5-114H	A	E5-114S	A
117	32 x 2.5	M8x50	E5-117Z	A	E5-117H	A	E5-117S	C
121	32 x 2.5	M8x50	E5-121Z	A	E5-121H	C	E5-121S	D
127	32 x 2.5	M8x50	E5-127Z	B	E5-127H	A	E5-127S	B
140	32 x 2.5	M8x50	E5-140Z	B	E5-140H	A	E5-140S	D
152	32 x 2.5	M8x50	E5-152Z	B	E5-152H	A	E5-152S	B
160	32 x 2.5	M8x50	E5-160Z	B	E5-160H	A	E5-160S	B
165	32 x 2.5	M8x50	E5-165Z	A	E5-165H	A	E5-165S	B
171	32 x 2.5	M8x50	E5-171Z	C	E5-171H	A	E5-171S	B
178	32 x 2.5	M8x50	E5-178Z	C	E5-178H	A	E5-178S	B
203	32 x 2.5	M8x50	E5-203Z	C	E5-203H	A	E5-203S	B
230	32 x 2.5	M8x50	E5-230Z	D	E5-230H	B	E5-230S	D
254	32 x 2.5	M8x50	E5-254Z	D	E5-254H	B	E5-254S	D
263	32 x 2.5	M8x50	E5-263Z	D	E5-263H	B	E5-263S	D

D OTHER MADE TO ORDER (MTO) SIZES & FINISH OPTIONS AVAILABLE



HOW TO ORDER E5 CHANNEL CLIPS

Example

E5-19 H

Select E5 Channel Clip

Select Ø D

Select Finish

- H Hot Dip Galvanised
- Z Zinc Plated
- S Stainless Steel
- P* Powder Coated

D *Powder Coated finish is available as made to order.

A great feature of EzyStrut E5 is the burst thread with the supplied screw designed for rapid installation.