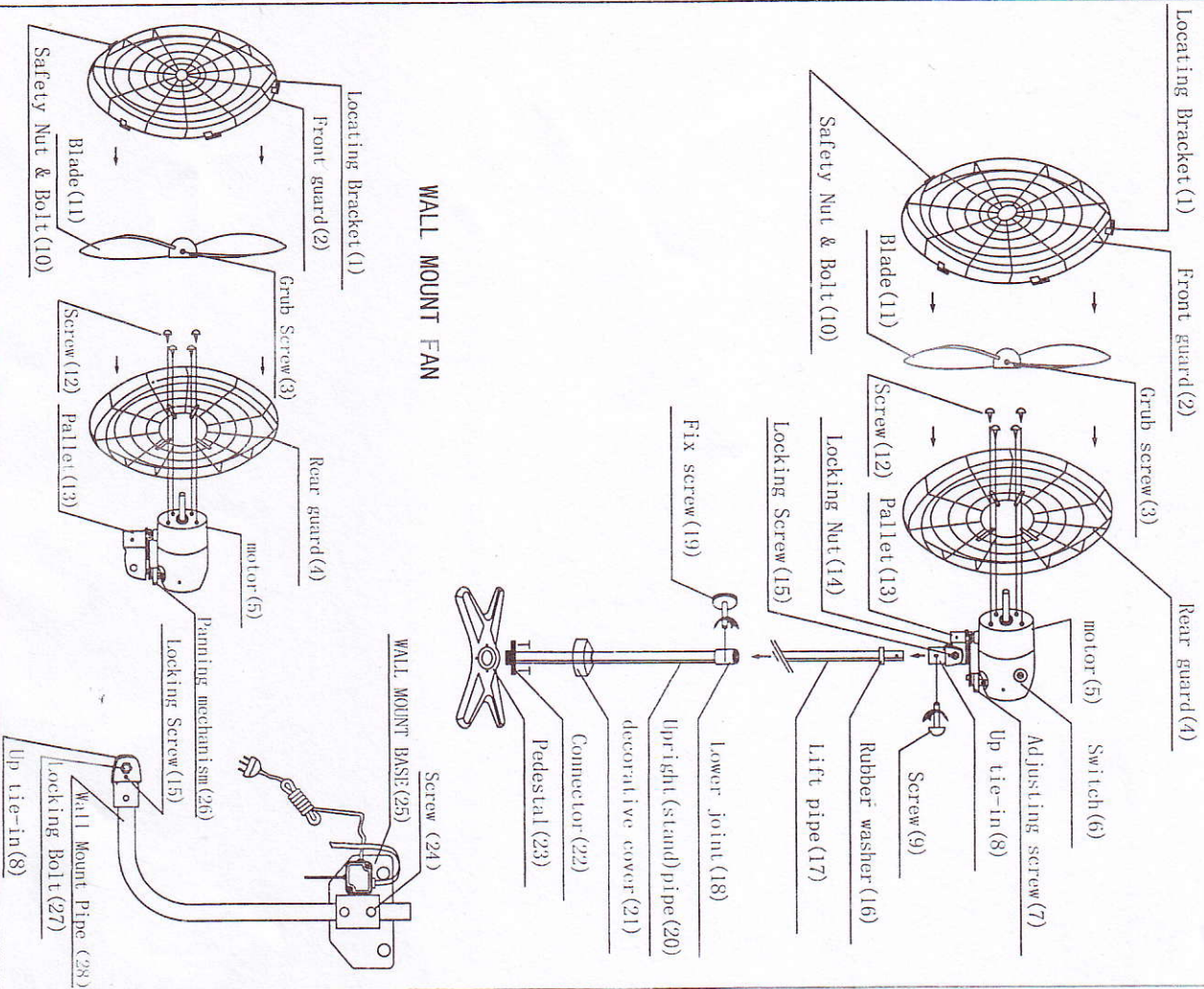
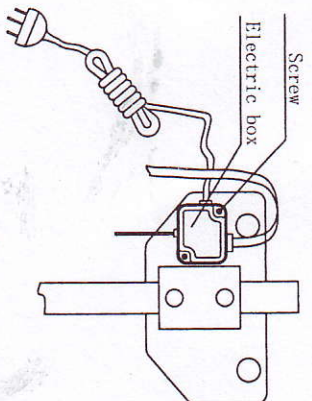


PEDESTAL FAN

ASSEMBLY



Fix electric box on wall mount base of the left by using M4 screw and ϕ 4 spring washer.

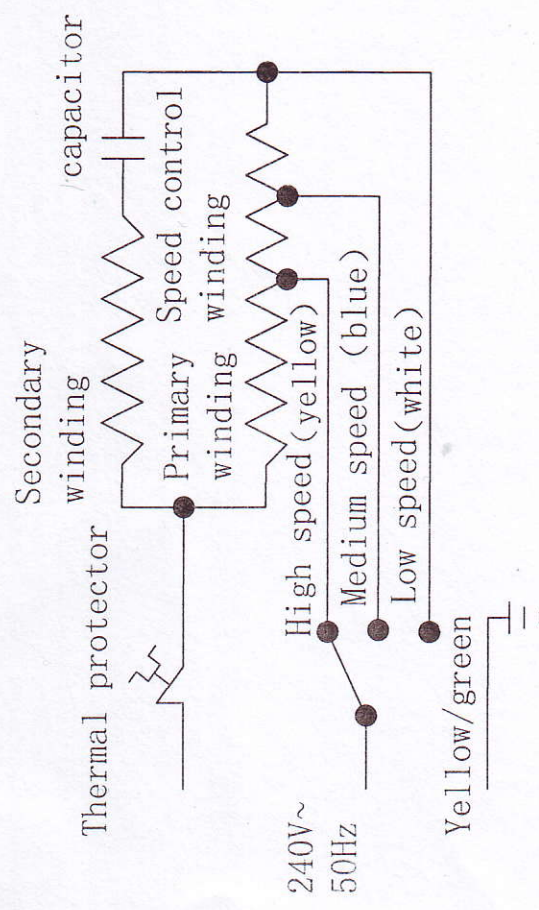


Assembly Instructions

1. Unpack fan components on a flat area with room to move around the fan without restriction.
 2. Place fan base (23) on flat surface.
 3. Attached the stand pipe connector (22) and tighten supplied bolts evenly & lower decorative cover (21).
 4. Extend inner tube lift pipe (17) about 200mm & lock in position with side locking knob/fixing screw (19).
 5. Slide rubber washer (16) down as far as possible to the top of the lower pipe, this stops the fan head sliding down very fast when the locking nut is released, adjusting height must be done with caution.
 6. Lay motor on its side and tighten Clamp bolt (14) with a spanner & the locking screw (15) so the casting is 90% to the motor shaft. When installing a wall mount fan always mount the mounting pipe vertical (not angled down), if the fan is angled down excessively when on maximum oscillation premature failure of the oscillating gears can occur.
 7. Lift motor carefully and slide onto the top of the inner tube and tighten the locking screw (9).
 8. Attach the fan back guard (4) to the motor with the screws (12) found in the motor face (front).
 9. Attach the fan Blade (11), ensure the grub screw (3) in the blade hub lines up with the flat on the shaft, failure to line the grub screw with the flat on the shaft can result in the blade becoming loose or being out of balance.
 10. Spin the impeller slowly by hand making sure it feels secure.
 11. Remove the safety nut and bolt (10) located at the bottom of the front guard and attached the front guard (2) positioning the small locating bracket (1) on the centre top spoke of the rear guard.
 12. Refit the safety nut and bolt (10) back in the locating hole and tighten.
 13. Firmly close all 5 quicklock guard clips.
 14. Recheck all screws and bolts have been appropriately tightened.
 15. When turning the fan on for the first time, turn to number 1 speed only, check for any vibrations, if there are any vibrations turn off immediately, contact the supplier.
- Note:** Never run the fan without the guards or guard safety nut and bolt fitted.

FEATURE AND APPLICATION

WIRING DRAWING



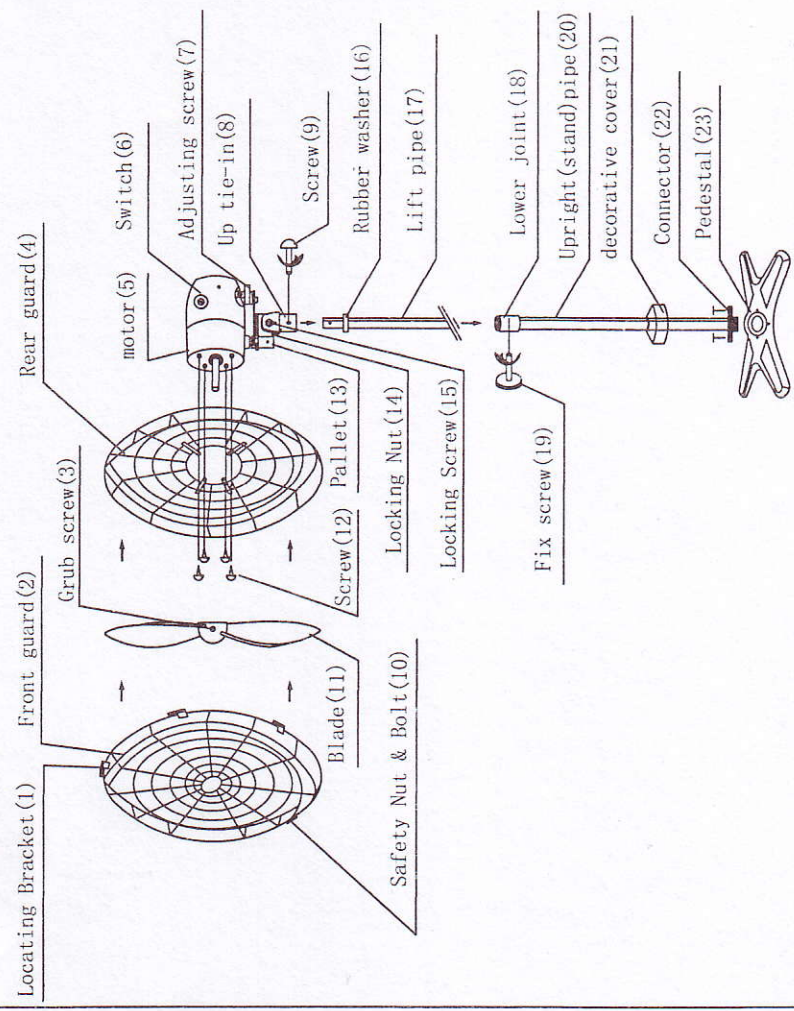
TECHNICAL PARAMETER

Voltage 240V Frequency 50Hz

Item Parameter	Stage 1			Stage 2			Stage 3					
	R. P. M.	Air volume m ³ /min	noise dB	Power W	R. P. M.	Air volume m ³ /min	noise dB	Power W	R. P. M.	Air volume m ³ /min	noise dB	Power W
Type DF650-T DF650-TW	925	143	45	148	1200	170	55	175	1400	230	68	210

ASSEMBLY

PEDESTAL FAN



WALL MOUNT FAN

