


# 2 module RCBO 6kA, C curve

**Catalogue numbers:**  
**ACA9xxT, ADA9xxT, AEC9xxT**

**Specifications:**

**Regulatory**

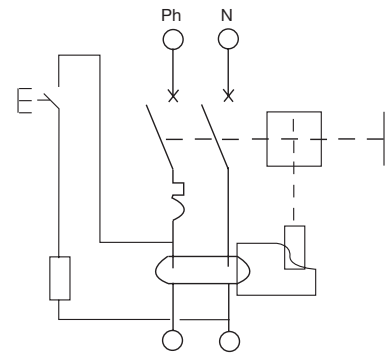
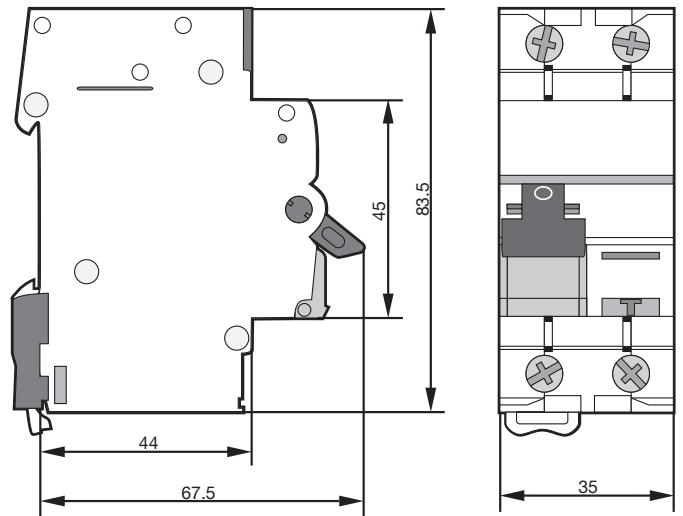
- Approval AS/NZS 61009.1
- ACA9xxT is a Type I device
- 

**Electrical**

- Thermal trip characteristic - C curve (5-10xIn)
- Breaking capacity - 6000A
- Voltage rating - 240V AC
- Current rating - 6 - 40A
- Residual current - 10mA/30mA (Type A),  
100mA (Type AC)

**Mechanical**

- Number of operations - 2000
- Connection capacity:  
Rigid conductor - 25mm<sup>2</sup> max.  
Flexible conductor - 16mm<sup>2</sup> max.
- Bi-connect allowing two terminal connection points and Neutral Bypass for the busbar
- Earth fault indication window
- Tightening torque 2.1Nm
- ACA9xxT is suitable for the protection of medical electrical equipment



**Accessories**

- Toggle locking kit - MZN175

## References

Catalogue reference	Residual current I <sub>rn</sub>	Current rating (A)	Width in 17.5mm
ACA910T	10mA	10A	2
ACA913T	10mA	13A	2
ACA916T	10mA	16A	2
ADA910T	30mA	10A	2
ADA913T	30mA	13A	2
ADA916T	30mA	16A	2
ADA920T	30mA	20A	2
ADA925T	30mA	25A	2
ADA932T	30mA	32A	2
ADA940T	30mA	40A	2
AEC906T	100mA	6A	2
AEC910T	100mA	10A	2
AEC913T	100mA	13A	2
AEC916T	100mA	16A	2
AEC920T	100mA	20A	2
AEC925T	100mA	25A	2
AEC932T	100mA	32A	2
AEC940T	100mA	40A	2