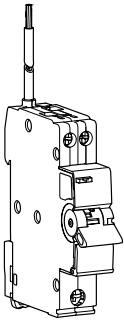


6LE007054Ad



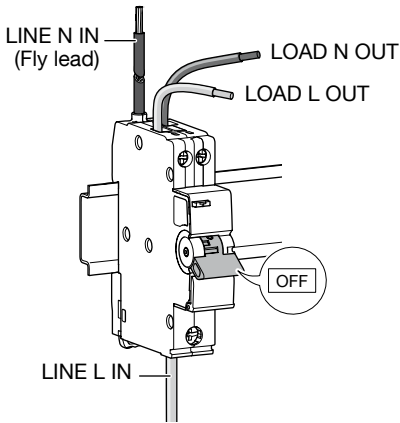
(AU)

Residual current operated circuit-breaker RCBO with switched neutral 6 to 32A

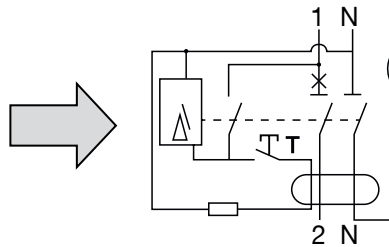


This device is to be installed only by a professional electrician fitter according to local applicable installation standards. Do not plug in or unplug this product when it is live. Conform to TBTS installation rules.

## Electrical connection

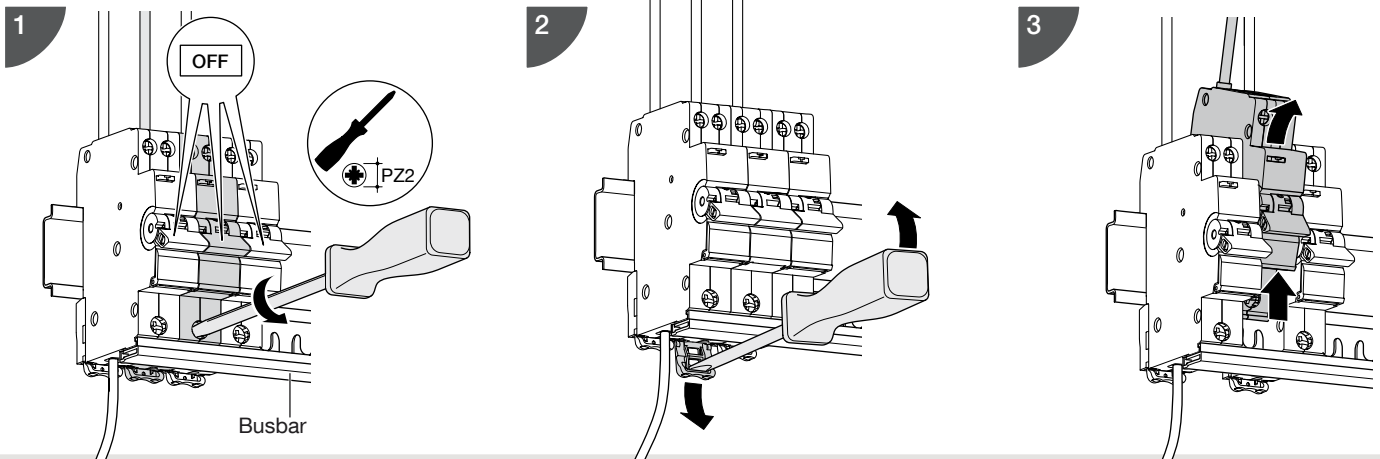


230/240V~50Hz



	LINE	LOAD
(mm <sup>2</sup> )	1 to 16 2 x 10	1 to 16 2 x 6
	12 mm	10 mm
	⊕ PZ2	⊕ PZ2
	2,1 Nm	1,9 Nm

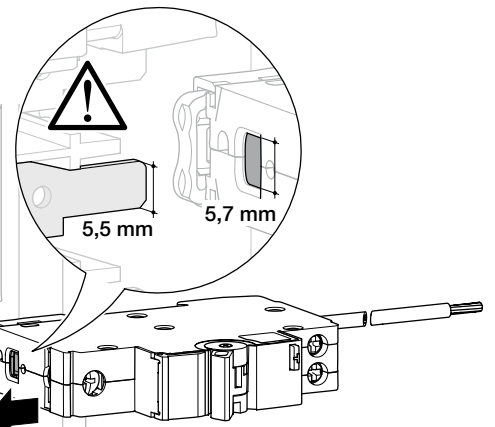
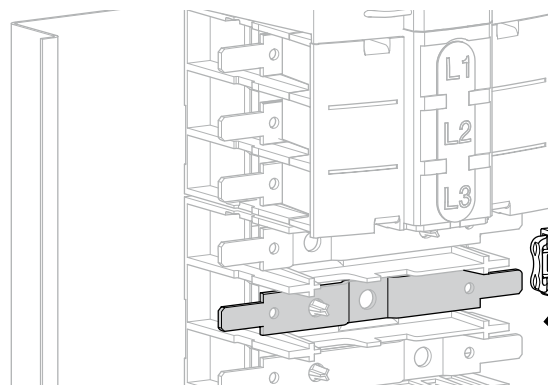
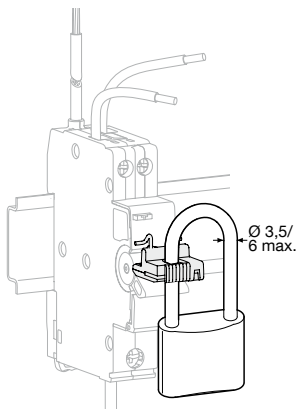
## Easy dismantling with the plastic DIN rail clip



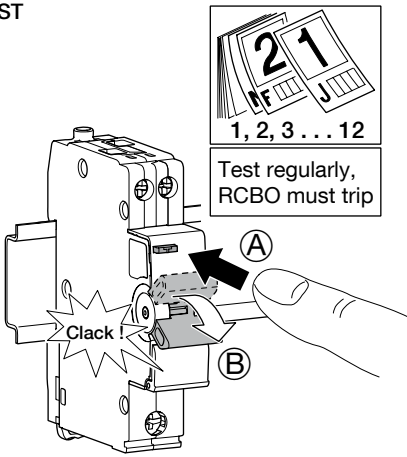
## Locking device for handle MZN175



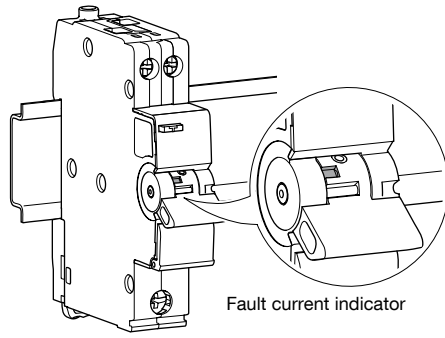
RCBO 1 module suitable for DIN rail mount & Invicta panel board



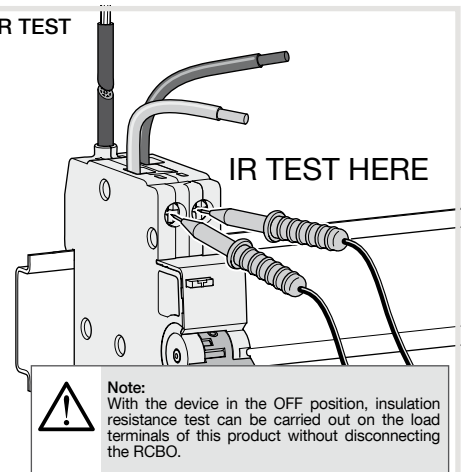
TEST



TEST



IR TEST



**Note:**  
With the device in the OFF position, insulation resistance test can be carried out on the load terminals of this product without disconnecting the RCBO.