

(AU)

## Miniature circuit breakers residual current devices RCBO 6 to 40A



This device is to be installed only by a professional electrician fitter according to local applicable installation standards. For use with neutral on the right only.

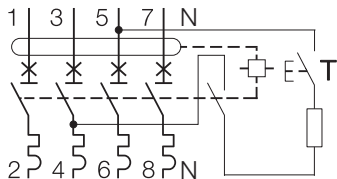


### Protection against dust



In case of work activities nearby, make sure that the electrical installation is protected against dust if the enclosure is not IP5x.

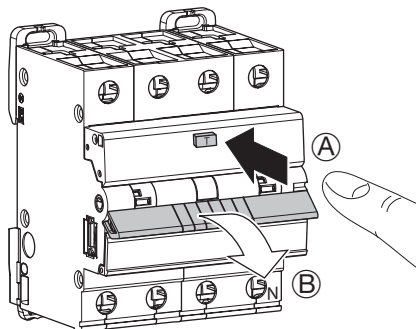
### Electrical connection



#### Please note the following:

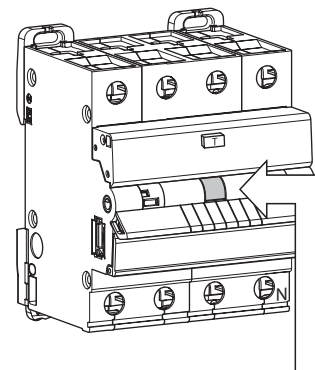
- 1- If RCBO trips OFF after installation, 2 possibilities:
  - overloads/short-circuits → MCB trips,
  - fault to earth → RCD trips.
- 2- The “main neutral” and “main earth” should be checked to ensure good connection.
- 3- If test button test fails, check for a presence of voltage on line side terminals.

### Earth leakage fault indication



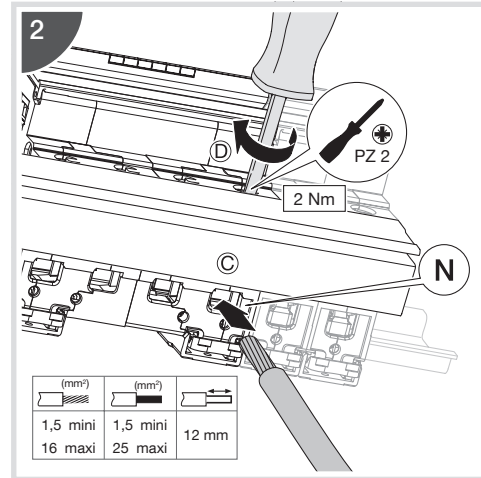
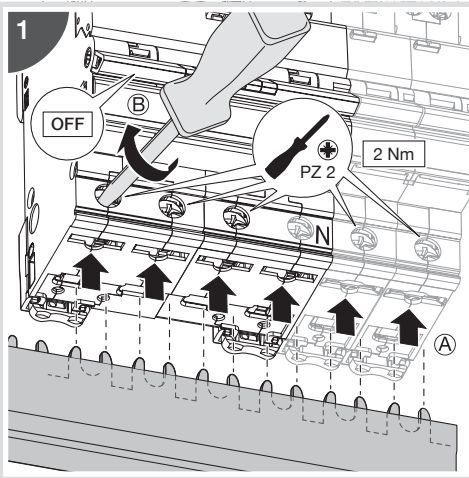
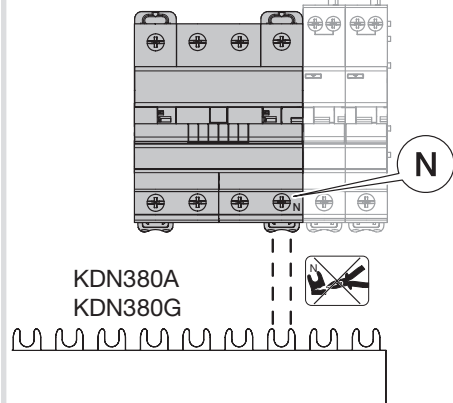
Test the Safety Switch periodically (approximately every three months) by pressing Test button marked “T”.

### Positive contact indication



If the RCBO trips OFF, the yellow window indicates an earth fault.

### Three phase connection



### Easy device removal with the DIN rail clip

