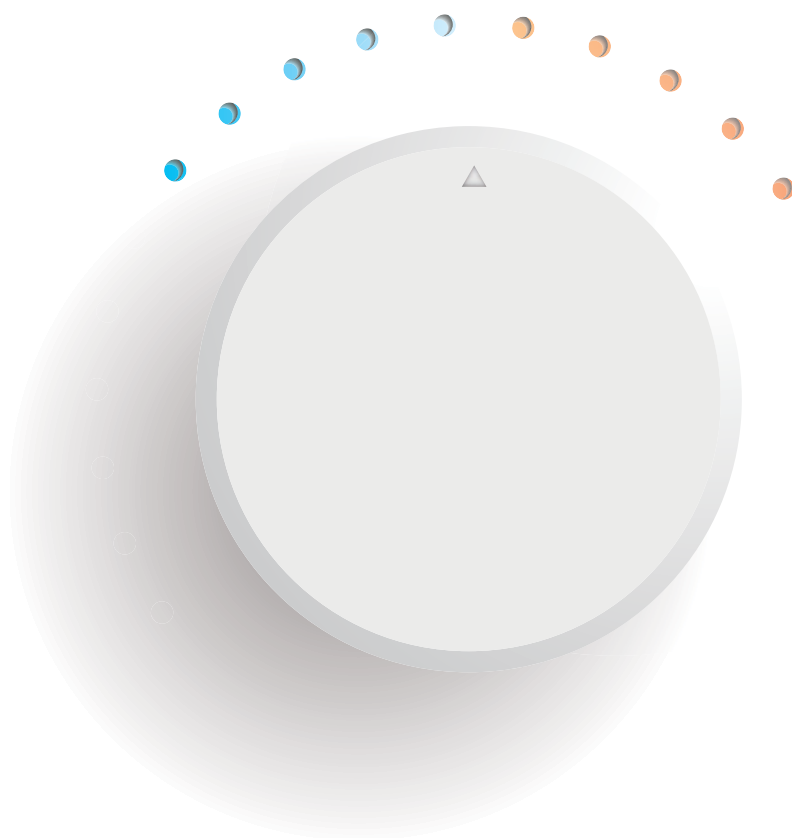


Smart Power

Ducted and Cassette

DC Inverter Air Conditioning Split Systems



Haier

Product Brochure 2022



Contents

Ducted air conditioning system	4
Smart Power outdoor	6
High static ducted	8
High static ducted specifications	10
Low profile ducted	12
Low profile ducted specifications	14
Round way cassette	16
Round way cassette specifications	18
Controls	20
Outdoor unit drawings	22
Indoor unit drawings	24
Haier brand story	26



DUCTED AIR CONDITIONING SYSTEM

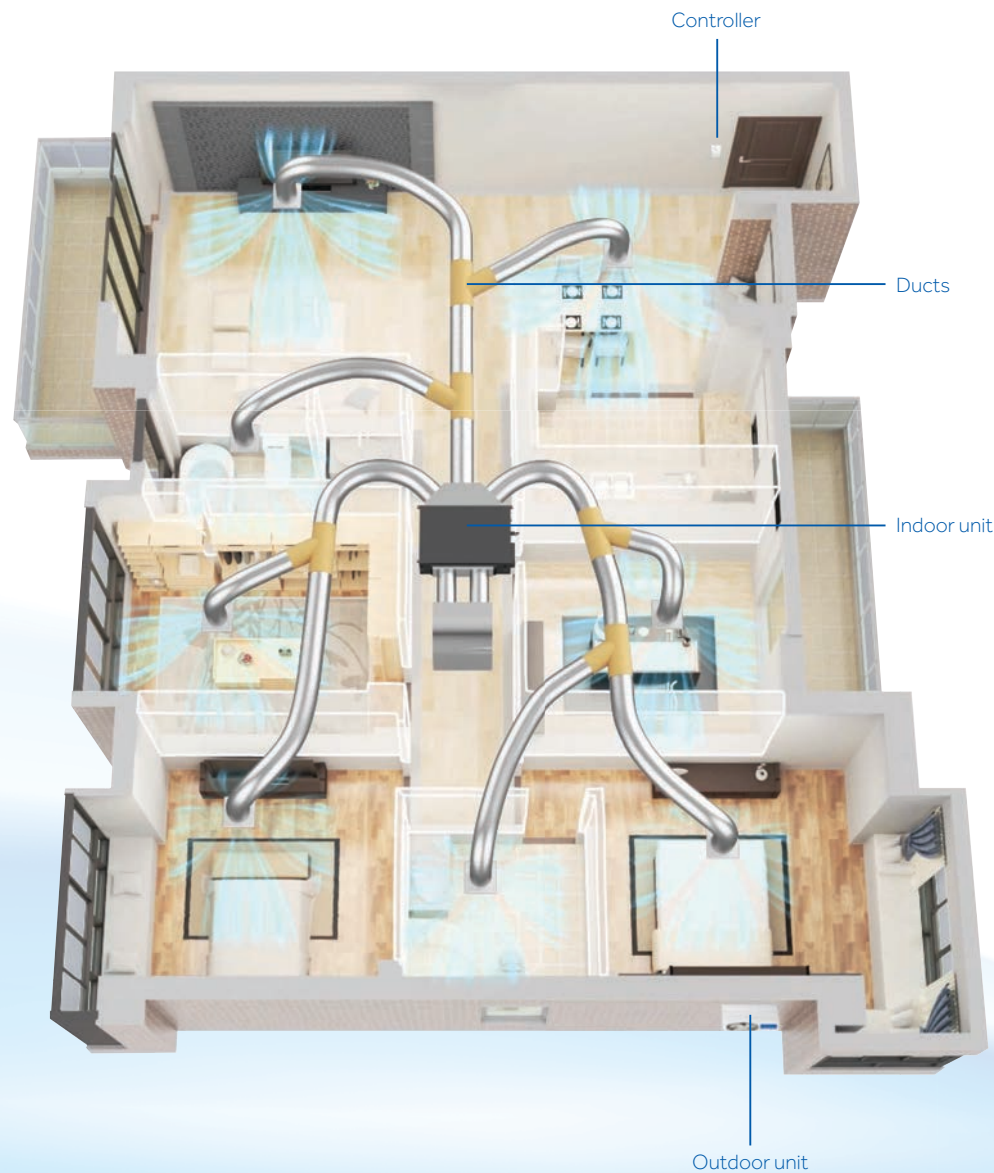
Smart Power

Haier's Smart Power ducted air conditioning systems provide an effective whole-of-home heating and cooling solution. Also suitable for commercial spaces, the system is made up of:

- an outdoor unit in a suitable location
- an indoor unit, often located out of view in the ceiling
- flexible ductwork to deliver airflow to multiple rooms through discreet vents
- a controller that is used to control the whole air conditioning system.

To suit all kinds of installation requirements, we offer three types of indoor unit:

- High static ducted
- Low profile ducted
- Round way cassette.



Zone control

For control over the airflow to individual rooms, Haier offers an optional SmartZone controller.

With up to eight controllable zones, SmartZone lets you turn the airflow on or off to rooms depending on how they are used, minimising unnecessary heating or cooling for improved efficiency.



With SmartZone installed, air conditioning is switched on for only the three occupied rooms.



FEATURES AND BENEFITS

Wi-Fi connectivity

It is simple to make the Haier Smart Power System Wi-Fi compatible. Purchase the additional accessory (HI-WB101DEI) and connect it to the indoor unit and your internet via your Wi-Fi router. Then you can control your Haier system wherever you are by smart phone or tablet.

Download the Haier SmartHQ™ app, free from Apple® or on Google Play.



Corrosion protection

Haier evaporators have a Blue Fin coating that protects the unit, with strong corrosion resistance and super hydrophilic performance.

R32 lower-impact refrigerant

Our air conditioning systems use a next-generation R32 refrigerant, which efficiently carries heat and has a lower environmental impact than R410A.



Large fans, low sound level

Quieter operation is achieved by our industry-leading 550mm fan and a unique outlet grille that offers less resistance to airflow.

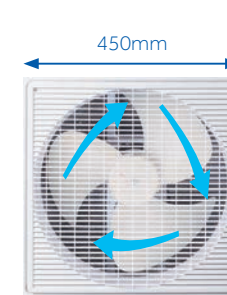
Handles for easier transport

Each outdoor unit is designed with four handles, allowing two people to carry it.



SMART POWER OUTDOOR

With a 180° sine wave DC inverter, the Smart Power outdoor unit is designed for quiet and efficient operation, paired with an indoor unit to suit the installation.



Competitor Fan Grille



Haier Fan Grille





HIGH STATIC DUCTED

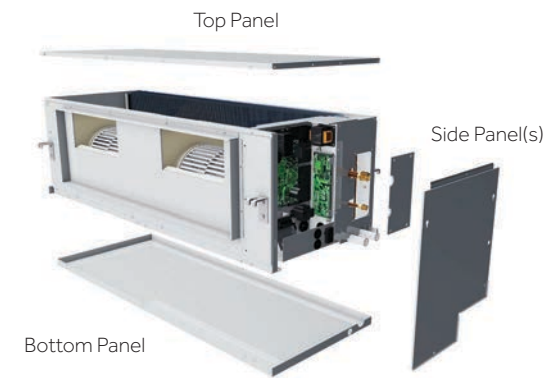
The Smart Power high static ducted indoor unit delivers powerful heating and cooling to every room, installed hidden in the ceiling cavity or under the floor for an uninterrupted interior.

Wi-Fi compatible with the optional accessory (HI-WB101DEI).

FEATURES AND BENEFITS

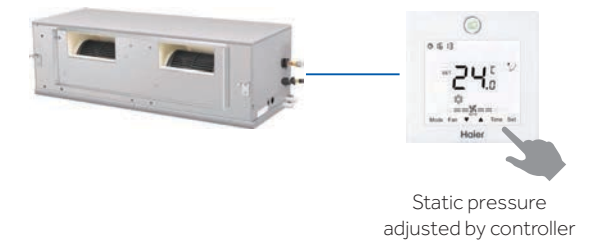
Serviceability

Top, bottom or side panels are removable for servicing and installation (10.5–16kW).



10-step ESP adjustment

External static pressure (ESP) can be adjusted using the controllers, YR-E17A or YR-E16B. No need to open the electrical box and adjust by switch or plug, reducing installation time.



Backup drain tray

High static indoor units are designed to incorporate two drain trays for condensate removal. The secondary tray is a backup in case the first one overflows due to a blockage.



Two-piece design

For easier installation, the 20 and 24kW indoor units can be separated into two manageable pieces. The single unit can then be reassembled in the ceiling.



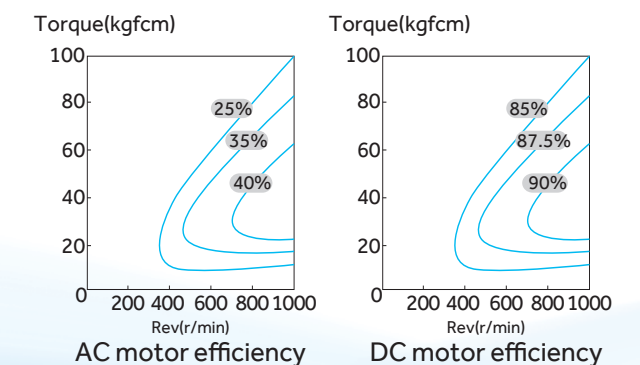
Compact dimensions

The high static indoor unit (10–15.5kW models) has a compact chassis, designed to fit in small ceiling spaces and between standard roof truss spacings of 600mm.



DC fan motor

DC fan motors are renowned for using less energy than a standard AC motor. They are also highly adjustable for better airflow and static pressure tuning.



HIGH STATIC DUCTED SPECIFICATIONS



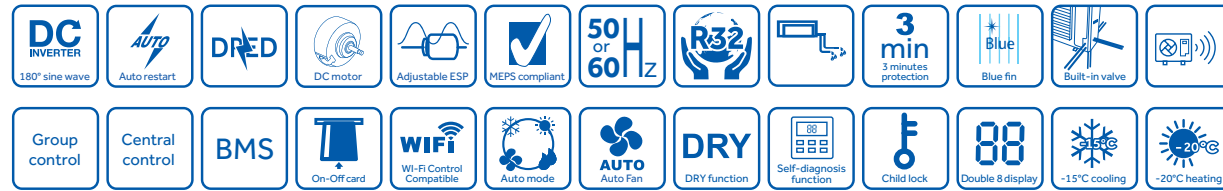
Outdoor unit
1U100S2SN5FA



Outdoor unit
1U125S2SP5FA
1U140S2SP5FA
1U160S2SP5FA



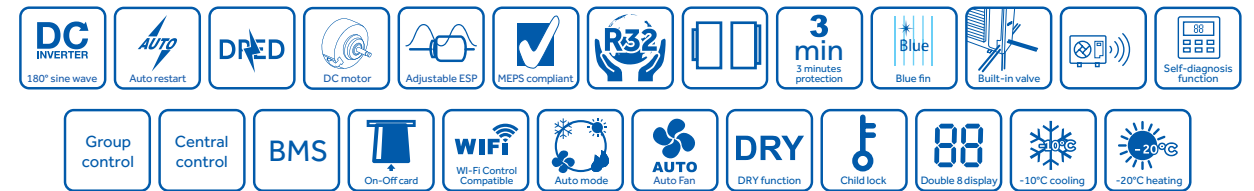
Indoor unit
AD100S2SH5FA
AD125S2SH5FA
AD140S2SH5FA
AD160S2SH5FA



Outdoor unit
1U200H1ERK
1U250H1ERK



Indoor unit
ADH200H1ERG
ADH250H1ERG



Model		Indoor unit	AD100S2SH5FA	AD125S2SH5FA	AD140S2SH5FA	AD160S2SH5FA	
		Outdoor unit	1U100S2SN5FA	1U125S2SP5FA	1U140S2SP5FA	1U160S2SP5FA	
Nominal performance data	Rated capacity	Cooling	kW nom (min-max)	10.0 (2.5-11.0)	12.5 (3.5-14.0)	14.0 (3.5-15.0)	15.5 (3.5-17.5)
		Heating	kW nom (min-max)	11.5 (2.5-12.0)	14.0 (4.0-16.5)	16.0 (6.0-18.0)	18.0 (6.0-19.0)
	Rated power input	Cooling	kW nom (min-max)	3.12 (0.5-5.3)	3.68 (1.0-5.8)	4.43 (2.0-6.8)	4.83 (2.0-7.0)
		Heating	kW nom (min-max)	3.19 (0.5-5.5)	3.68 (1.0-5.8)	4.57 (2.0-6.5)	4.8 (2.0-7.0)
	EER			3.21	3.40	3.16	3.21
COP			3.61	3.80	3.50	3.75	
TCSPF (hot / average / cold climate)		Residential	4.419 / 4.072 / 4.217	4.003 / 3.731 / 3.788	4.404 / 4.110 / 4.285	4.236 / 3.974 / 4.108	
		Commercial	4.753 / 4.839 / 5.171	4.228 / 4.201 / 4.425	4.728 / 4.840 / 5.186	4.518 / 4.597 / 4.899	
HSPF (hot / average / cold climate)		Residential	4.071 / 3.567 / 3.056	3.514 / 3.419 / 3.155	3.783 / 3.390 / 2.956	3.784 / 3.138 / 2.722	
		Commercial	4.066 / 3.772 / 3.239	3.491 / 3.417 / 3.210	3.775 / 3.427 / 3.089	3.768 / 3.416 / 2.921	
Indoor Unit							
Electrical	Power input	Watt	540	550	600	600	
Performance	Air flow (H/M/L/LL)	l/s	800/665/525/385	905/765/625/490	1000/865/725/585	1115/945/780/615	
	ESP	pa	37-210				
	Sound pressure level (H/M/L)	dB (A)	45/41/37/33	47/44/42/39	49/46/43/40	51/47/44/40	
Installation	External dimensions (WxDxH)	mm	1350 x 490 x 425				
	Weight net/shipping	kg	59/70	59/70	61/72	61/72	
	Supply air connection	mm	1045 x 307				
	Return air connection	mm	1163 x 353				
Controls	Wired controller	Optional	YR-E17A				
	Wireless controller	Optional	YR-E16				
	Wi-Fi	Optional	RE02 & YR-HBS01				
		Optional	HI-WB101DEI				
Outdoor Unit							
Electrical Parameters	Power supply	Ph/V/Hz	1/220-240/50				
	Rated amps	Cooling	Amp	13.3	16.5	18.5	21
		Heating	Amp	13.7	17.5	19.8	21.5
	Maximum amps	Amp	23.2	30.0	32.0	32.0	
Performance	Air flow (H)	l/s	4000	6500	7000	7500	
	Sound power level	dB (A)	68	69	70	73	
	Sound pressure level	dB (A)	52	52	53	56	
	External dimensions (WxDxH)	mm	950 x 370 x 965	950 x 370 x 1350			
Installation	Weight net/shipping	kg	82/94	105/118	105/118	105/118	
	Compressor type		Twin rotary				
	Refrigerant type		R32				
	Refrigerant liquid pipe	mm	9.52				
	Refrigerant gas pipe	mm	15.88		19.05		
	Max pipe length	m	50	75			
	Max drop between IU & OU	m	30				
	Pre-charge of refrigerant	kg	2.3	2.9	2.9	2.9	
	Pre-charged line length	m	20	30	30	30	
	Additional gas charge	g/m	45				
	Working Temperature	Cooling (min-max)	°C	-15 to 50			
		Heating (min-max)	°C	-20 to 24			

Nominal condition: as per AS/NZS3823.2
Indoor temperature (cooling): 27°C DB / 19°C WB; indoor temperature (heating): 20°C DB
Outdoor temperature (cooling): 35°C DB / 24°C WB; outdoor temperature (heating): 7°C DB / 6°C WB

Model		Indoor unit	ADH200H1ERG	ADH250H1ERG	
		Outdoor unit	1UH200H1ERK	1UH250H1ERK	
Nominal performance data	Rated capacity	Cooling	Capacity (min-max)	20.5 (6.2-23.5)	24.0 (7.2-26.5)
		Heating	Capacity (min-max)	22.8 (7.2-24.8)	26.8 (8.2-28.8)
	Rated power input	Cooling	Input (min-max)	6.1 (2.5-8.5)	7.47 (3.5-9.5)
		Heating	Input (min-max)	6.0 (2.5-8.5)	7.18 (3.5-9.5)
	EER			3.36	3.21
COP			3.80	3.73	
Indoor Unit					
Electrical	Power input	Watt	800	920	
Performance	Air flow (H/M/L/LL)	l/s	1200/1050/950/850	1400/1250/1100/1000	
	ESP	pa	62-300	72-300	
	Sound pressure level (H/M/L)	dB (A)	54/50/45	55/51/47	
Installation	External dimensions (WxDxH)	mm	1330 x 895 x 500	1330 x 895 x 500	
	Weight net/shipping	kg	96/125	96/125	
	Supply air connection	mm	958 x 377	958 x 377	
	Return air connection	mm	1118 x 347	1118 x 347	
Controls	Wired controller	Optional	YR-E17		
	Wireless controller	Optional	YR-E16a or YR-E16b		
	Wi-Fi	Optional	RE-02 & YR-HD		
		Optional	HI-WB101DEI		
Outdoor Unit					
Electrical Parameters	Power supply	Ph/V/Hz	3/380-415/50	3/380-415/50	
	Rated amps	Cooling	Amp	10.3	12
		Heating	Amp	10	11.8
	Maximum amps	Amp	15.3	16.3	
Performance	Air flow (H)	l/s	2890	2890	
	Sound power level	dB (A)	75	75	
	Sound pressure level	dB (A)	58	58	
	External dimensions (WxDxH)	mm	1050 x 413 x 1636	1050 x 413 x 1636	
Installation	Weight net/shipping	kg	160/175	160/175	
	Compressor type		Twin rotary		
	Refrigerant type		R410A		
	Refrigerant liquid pipe	mm	12.7	12.7 (Brazed)	
	Refrigerant gas pipe	mm	19.05	22.22 (Brazed)	
	Max pipe length	m	75	75	
	Max drop between IU & OU	m	30	30	
	Pre-charge of refrigerant	kg	6.35	6.35	
	Pre-charged line length	m	30	30	
	Additional gas charge	g/m	45	45	
Working Temperature	Cooling (min-max)	°C	-10 to 46	-10 to 46	
	Heating (min-max)	°C	-20 to 24	-20 to 24	

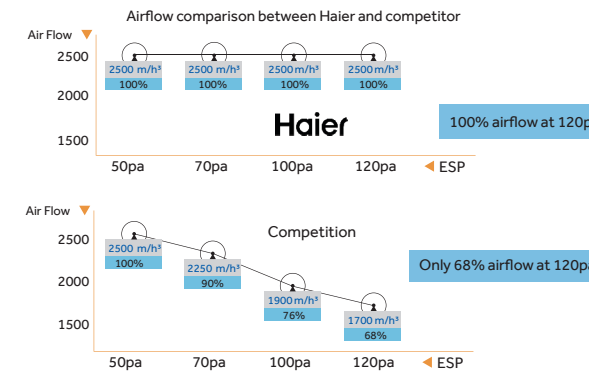
Nominal condition: as per AS/NZS3823.2
Indoor temperature (cooling): 27°C DB / 19°C WB; indoor temperature (heating): 20°C DB
Outdoor temperature (cooling): 35°C DB / 24°C WB; outdoor temperature (heating): 7°C DB / 6°C WB



FEATURES AND BENEFITS

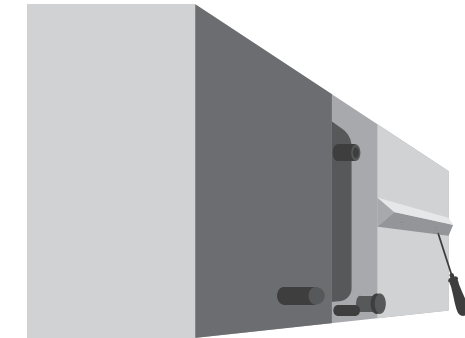
Consistent airflow

The indoor units can contain up to three fans to provide consistent airflow for different ductwork installations. Haier testing has proven no loss of airflow at increased static pressure installations.



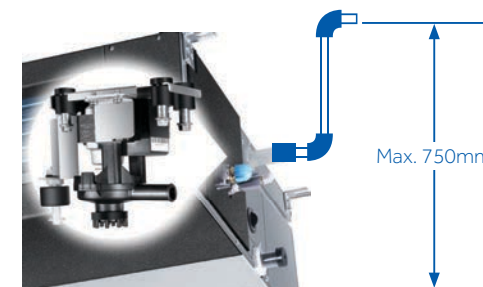
Accessible wiring

A 45° panel allows easy unscrewing for better access to wiring.



High-lift drain pump

Designed with a quality built-in condensate pump that can lift water up to 750mm, for flexible installation.



Return air choices

Clever design allows the rear return air to be easily converted to bottom return air, along with the supplied air filter, to suit the installation.



Left or right drain outlet

In addition to the pump drain outlet, two gravity drain connections are provided, one on the left and one on the right.



Super slim

The unit is designed with a super low height of 250mm to fit into shallow spaces where a ducted system would otherwise not be suitable.

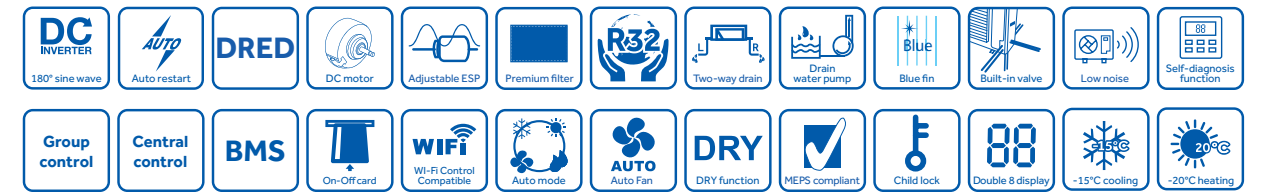
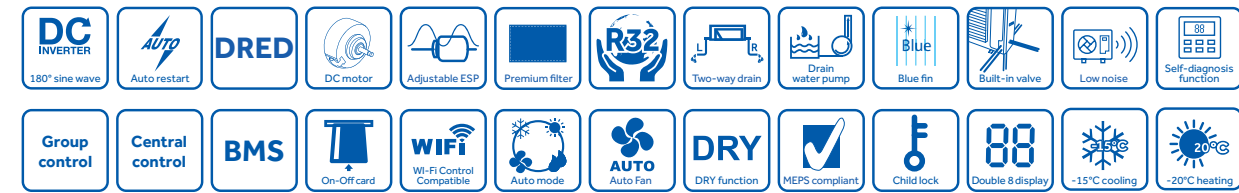


LOW PROFILE DUCTED

The Smart Power low profile ducted indoor unit is designed for adaptable installation in shallow spaces, such as between levels in multistorey buildings, for precise temperature control across multiple rooms.

Wi-Fi compatible with the optional accessory (HI-WB101DEI).

LOW PROFILE DUCTED SPECIFICATIONS



Model		Indoor unit		AD71S2SM7FA		AD100S2SM7FA	
		Outdoor unit		1U71S2SS5FA		1U100S2SN5FA	
Rated performance data	Nominal capacity	Cooling	kW nom (min-max)	7.1 (2-8.5)		10 (2.5-11)	
		Heating	kW nom (min-max)	7.8 (2-9.5)		10.8 (2.5-12)	
	Rated power input	Cooling	kW nom (min-max)	2.1 (0.4-3.5)		3.17 (0.5-5)	
		Heating	kW nom (min-max)	2.2 (0.4-3.5)		3.14 (0.5-5)	
	EER	W/W	3.38		3.15		
COP	W/W	3.55		3.44			
TCSPF (hot / average / cold climate)		Residential	3.964 / 3.609 / 3.631		4.074 / 3.767 / 3.864		
		Commercial	4.209 / 4.151 / 4.359		4.350 / 4.383 / 4.652		
HSPF (hot / average / cold climate)		Residential	3.590 / 3.403 / 3.111		3.690 / 3.397 / 3.019		
		Commercial	3.576 / 3.453 / 3.216		3.681 / 3.496 / 3.191		
Indoor Unit							
Performance	Air flow (H/M/L/LL)	l/s		402/333/263/194		555/483/383/355	
	ESP	Pa		25-150			
	Sound power level (H/M/L)	dB(A)		58		60	
	Sound pressure level (H/M/L)	dB(A)		42/38/35		44/40/37	
Installation	External dimensions (W/D/H)	mm		1100 x 700 x 248		1500 x 700 x 248	
	Weight net/shipping	kg		38/44		52/62	
	Supply air connection	mm		992 x 165		1392 x 165	
	Return air connection	mm		978 x 238		1378 x 238	
Controller	Wired controller	Optional		YR-E17A			
	Wired controller	Optional		YR-E16			
	Wireless controller	Optional		RE02 & YR-HBS01			
	Wi-Fi	Optional		HI-WB101DEI			
Outdoor Unit							
Electrical	Power supply	Ph/V/Hz		1/220-240/50			
	Rated current	Cooling	Amps	8.8		13.6	
		Heating	Amps	9.2		13.6	
Maximum current	Amps		17.5		21		
Performance	Air flow (H)	m³/h		3200		4000	
	Sound power level	dB(A)		885		1110	
	Sound pressure level	dB(A)		64		68	
	Sound pressure level	dB(A)		47		52	
Installation	External dimensions (WxDxH)	mm		920 x 372 x 760		950 x 370 x 965	
	Weight net/shipping	kg		60/65		82/94	
	Compressor type			Twin rotary			
	Refrigerant type			R32			
	Refrigerant liquid pipe	mm		9.52			
	Refrigerant gas pipe	mm		15.88			
	Max pipe length	m		50			
	Max drop between IU & OU	m		30			
	Pre-charge of refrigerant	kg		1.7		2.3	
	Pre-charged line length	m		20			
Additional gas charge	g/m		45				
Working temperature	Cooling (min-max)	°C		-15 to 50			
	Heating (min-max)	°C		-20 to 24			

Nominal condition: as per AS/NZS3823.2
 Indoor temperature (cooling): 27°C DB / 19°C WB; indoor temperature (heating): 20°C DB
 Outdoor temperature (cooling): 35°C DB / 24°C WB; outdoor temperature (heating): 7°C DB / 6°C WB

Model		Indoor unit		AD125S2SM7FA		AD140S2SM7FA	
		Outdoor unit		1U125S2SP5FA		1U140S2SP5FA	
Rated performance data	Nominal capacity	Cooling	kW nom (min-max)	12.0 (3.5-14)		13 (3.5-15)	
		Heating	kW nom (min-max)	14 (4-16)		15 (4-18)	
	Rated power input	Cooling	kW nom (min-max)	3.77 (1-5.8)		4.11 (1-6.8)	
		Heating	kW nom (min-max)	4.01 (1-5.8)		4.29 (1-6.5)	
	EER	W/W	3.18		3.16		
COP	W/W	3.49		3.50			
TCSPF (hot / average / cold climate)		Residential	3.947 / 3.678 / 3.760		4.134 / 3.858 / 3.977		
		Commercial	4.190 / 4.201 / 4.445		4.410 / 4.465 / 4.749		
HSPF (hot / average / cold climate)		Residential	3.594 / 3.306 / 2.938		3.646 / 3.351 / 2.978		
		Commercial	3.581 / 3.407 / 3.018		3.634 / 3.455 / 3.060		
Indoor Unit							
Performance	Air flow (H/M/L/LL)	l/s		625/544/466/416		694/600/494/416	
	ESP	Pa		25-150			
	Sound power level (H/M/L)	dB(A)		65		66	
	Sound pressure level (H/M/L)	dB(A)		45/42/37		46/43/38	
Installation	External dimensions (W/D/H)	mm		1500 x 700 x 248		1500 x 700 x 248	
	Weight net/shipping	kg		52/62			
	Supply air connection	mm		1392 x 165			
	Return air connection	mm		1378 x 238			
Controller	Wired controller	Optional		YR-E17A			
	Wired controller	Optional		YR-E16			
	Wireless controller	Optional		RE02 & YR-HBS01			
	Wi-Fi	Optional		HI-WB101DEI			
Outdoor Unit							
Electrical	Power supply	Ph/V/Hz		1/220-240/50			
	Rated current	Cooling	Amps	17		18.5	
		Heating	Amps	17		19	
Maximum current	Amps		30		32		
Performance	Air flow (H)	m³/h		6500		7000	
	Sound power level	dB(A)		885		1110	
	Sound pressure level	dB(A)		69		70	
	Sound pressure level	dB(A)		52		53	
Installation	External dimensions (WxDxH)	mm		950 x 370 x 1350			
	Weight net/shipping	kg		105/118		108/121	
	Compressor type			Twin rotary			
	Refrigerant type			R32			
	Refrigerant liquid pipe	mm		9.52			
	Refrigerant gas pipe	mm		15.88		19.05	
	Max pipe length	m		75			
	Max drop between IU & OU	m		30			
	Pre-charge of refrigerant	kg		2.5			
	Pre-charged line length	m		20			
Additional gas charge	g/m		45				
Working temperature	Cooling (min-max)	°C		-15 to 50			
	Heating (min-max)	°C		-20 to 24			

Nominal condition: as per AS/NZS3823.2
 Indoor temperature (cooling): 27°C DB / 19°C WB; indoor temperature (heating): 20°C DB
 Outdoor temperature (cooling): 35°C DB / 24°C WB; outdoor temperature (heating): 7°C DB / 6°C WB



FEATURES AND BENEFITS

Fresh air inlet

A pre-set fresh air inlet can introduce the outside fresh air into the room to improve the indoor air quality.



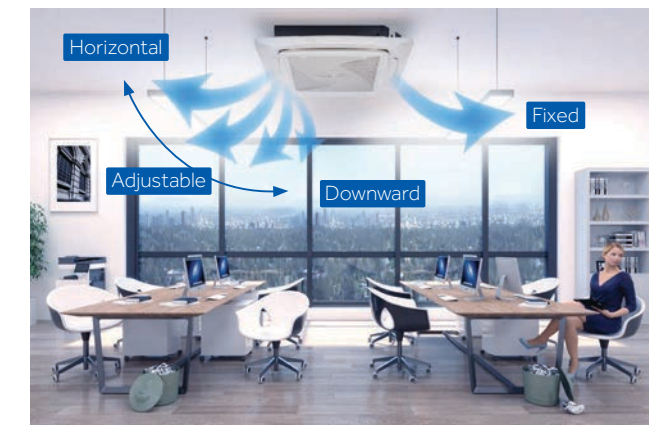
High-lift drain pump

The built-in condensate pump can lift water up to 1000mm.



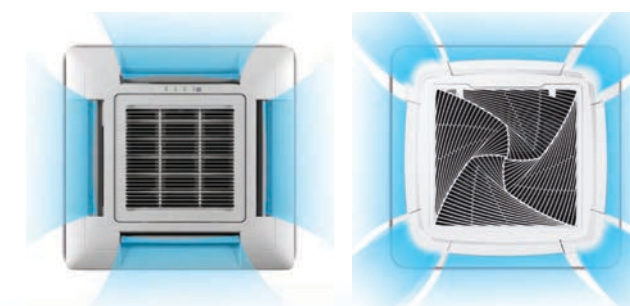
Individual louvre control

The four louvres can be controlled individually using the supplied controller for maximum comfort throughout the room.



Round flow air supply

Air supply in all directions to improve air distribution.



Traditional four-way airflow

New round way airflow design

Hidden LCD Display

Discreet LCD display design shows green for cooling and red for heating.



ROUND WAY CASSETTE

With a DC fan motor and unique round way air outlet, the Smart Power round way cassette indoor unit delivers 360° airflow to reach every part of the room.

Wi-Fi compatible with the optional accessory (HI-WB101DEI).



ROUND WAY CASSETTE SPECIFICATIONS



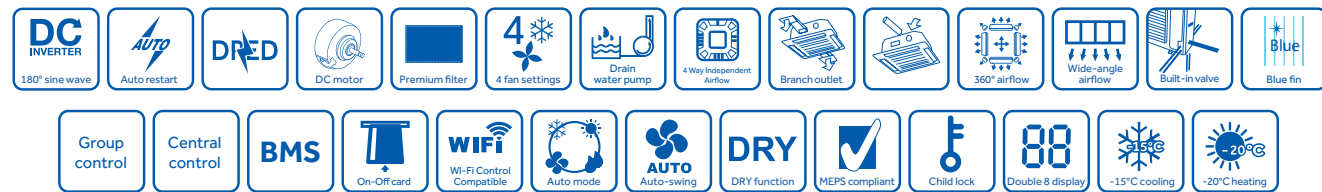
Outdoor unit
1UH071N1ERG
1UH105N1ERG



YR-HBS01



Indoor unit
ABH071H5ERG
ABH105K5ERG



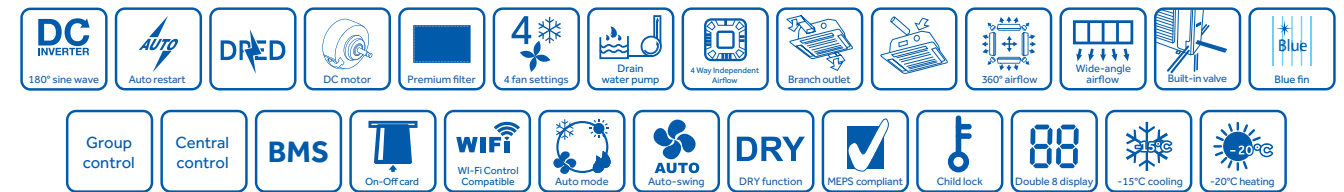
Outdoor unit
1U125P1ERG
1U125P1ERK



YR-HBS01



Indoor unit
ABH071H5ERG
ABH105K5ERG



Model		Indoor unit		ABH071H5ERG	ABH105K5ERG
		Outdoor unit		1UH071N1ERG	1UH105N1ERG
Rated performance data	Nominal capacity	Cooling	kW nom (min-max)	7.1 (2.0-8.0)	10.0 (2.5-11)
		Heating	kW nom (min-max)	7.8 (2.0-9.0)	10.6 (2.5-11.3)
	Rated power input	Cooling	kW nom (min-max)	2.08 (0.4-4.0)	3.19 (0.5-4.0)
		Heating	kW nom (min-max)	2.10 (0.4-4.0)	3.20 (0.5-4.0)
	EER	W/W		3.41	3.13
	COP	W/W		3.71	3.31
Star rating (cooling/heating)				2.5/3.0	1.5/2.0
Indoor Unit					
Performance	Air flow (H/M/L)	l/s		378/350/297/228	467/425/367/331
	Sound power level (H/M/L)	dB(A)		62	62
	Sound pressure level (H/M/L)	dB(A)		35/33/29/26	45/42/38/34
Installation	External dimensions (W/D/H)	mm		850 x 850 x 246	850 x 850 x 288
	Weight net/shipping	kg		31/36	32/38
Controller	Wireless controller	Optional		YR-HBS-01	
	Wired controller	Optional		YR-E17 / YR-E16A / YR-E16B	
	Wi-Fi	Optional		HI-WB101DEI	
Outdoor Unit					
Electrical	Power supply	Ph/V/Hz		1/220-240/50	
	Rated current	Cooling	Amps	9.1	13.6
		Heating	Amps	9.1	13.6
Maximum current	Amps		17.5	20	
Performance	Air flow (H)	m³/h		3200	4000
		l/s		885	1110
	Sound power level	dB(A)		64	68
	Sound pressure level	dB(A)		47	52
Installation	External dimensions (WxDxH)	mm		950 x 370 x 965	
	Weight net/shipping	kg		80/92	82/94
	Compressor type			Rotary	
	Refrigerant type			R410A	
	Refrigerant liquid pipe	mm		9.52 (3/8)	
	Refrigerant gas pipe	mm		15.88 (5/8)	
	Max pipe length	m		50	
	Max drop between IU & OU	m		30	
	Pre-charge of refrigerant	kg		2.5	
	Pre-charged line length	m		20	
	Additional gas charge	g/m		45	
Working temperature	Cooling (min-max)	°C		-15 to +50	
	Heating (min-max)	°C		-20 to +24	

Model		Indoor unit		ABH125K5ERG	ABH125K5ERG
		Outdoor unit		1U125P1ERG	1U125P1ERK
Rated performance data	Nominal capacity	Cooling	kW nom (min-max)	12.0 (3.5-14.0)	12.0 (3.5-14.0)
		Heating	kW nom (min-max)	13.0 (4.0-17)	13.0 (4.0-17)
	Rated power input	Cooling	kW nom (min-max)	3.83 (1.0-6.0)	3.83 (1.0-6.0)
		Heating	kW nom (min-max)	4.05 (1.0-6.0)	4.05 (1.0-6.0)
	EER	WxW		3.13	3.13
	COP	WxW		3.21	3.21
Star rating (cooling/heating)				1.5/1.5	1.5/2.0
Indoor Unit					
Performance	Air flow (H/M/L)	l/s		540/440/400/330	540/440/400/330
	Sound power level (H/M/L)	dB(A)		64	64
	Sound pressure level (H/M/L)	dB(A)		47/44/38/34	47/44/38/34
Installation	External dimensions (W/D/H)	mm		850 x 850 x 288	
	Weight net/shipping	kg		32/38	
	Wireless controller	Optional		YR-HBS-01	
	Wired controller	Optional		YR-E17 / YR-E16A / YR-E16B	
Wi-Fi	Optional		HI-WB101DEI		
Outdoor Unit					
Electrical	Power supply	Ph/V/Hz		1/220-240/50	3/380-400/50
	Rated current	Cooling	Amps	17.0	6.1
		Heating	Amps	17.2	6.2
Maximum current	Amps		30.0	10.8	
Performance	Air flow (H)	m³/h		6500	1805
		l/s		1805	52
	Sound power level	dB(A)		69	69
	Sound pressure level	dB(A)		52	52
Installation	External dimensions (WxDxH)	mm		950 x 370 x 1350	
	Weight net/shipping	kg		105/118	108/121
	Compressor type			Rotary	
	Refrigerant type			R410A	
	Refrigerant liquid pipe	mm		9.52	
	Refrigerant gas pipe	mm		15.88	
	Max pipe length	m		75	
	Max drop between IU & OU	m		30	
	Pre-charge of refrigerant	kg		3.7	
	Pre-charged line length	m		30	
	Additional gas charge	g/m		45	
Working temperature	Cooling (min-max)	°C		-15 to +50	
	Heating (min-max)	°C		-20 to +24	

Nominal condition: as per AS/NZS3823.2
Indoor temperature (cooling): 27°C DB / 19°C WB; indoor temperature (heating): 20°C DB
Outdoor temperature (cooling): 35°C DB / 24°C WB; outdoor temperature (heating): 7°C DB / 6°C WB

Nominal condition: as per AS/NZS3823.2
Indoor temperature (cooling): 27°C DB / 19°C WB; indoor temperature (heating): 20°C DB
Outdoor temperature (cooling): 35°C DB / 24°C WB; outdoor temperature (heating): 7°C DB / 6°C WB

Controller, YR-E17A

- Touchscreen display with backlight
- Clock, 24-hour timer
- On/Off, Mode, Fan speed, Temperature setting, Swing
- Individual and group control (max. 16 indoor units)
- Static pressure setting
- Humidity sensor with humidity display
- Infrared receiver for wireless controller



Controller, YR-E16B

- Large colour LCD display with touch buttons and backlight
- Clock, weekly timer
- On/Off, Mode, Fan speed, Temperature setting, Swing
- Individual and group control (max. 16 indoor units)
- Static pressure setting



Remote Controller, YR-HRS01 and Infrared Receiver, RE-02

- Optional remote control for ducted systems
- Requires a wired receiver, YR-HRS01



Remote Controller, YR-HBS-01

- Supplied with Round Way Cassette
- Large display and buttons for easy use
- Temperature setting of 0.5 degree increments
- Individual cassette louvre control



Wi-Fi Accessory, HI-WB101DEI

- Wi-Fi control
- Free download of the app, compatible with Apple and Android
- Weekly timer
- Connect multiple units



Central Controller, HC-SA164DBT

- Individual and group control (max. 64 indoor units)
- 5" TFT colour touchscreen
- Weekly schedule control
- Compatible with MRV, Smart Power, Super Match and HRV



Central Controller, YCZ-A004

- Individual and group control (max. 256 indoor units)
- 7" colour touchscreen
- Schedule control
- Compatible with Smart Power, MRV and hi wall split systems with the required accessories



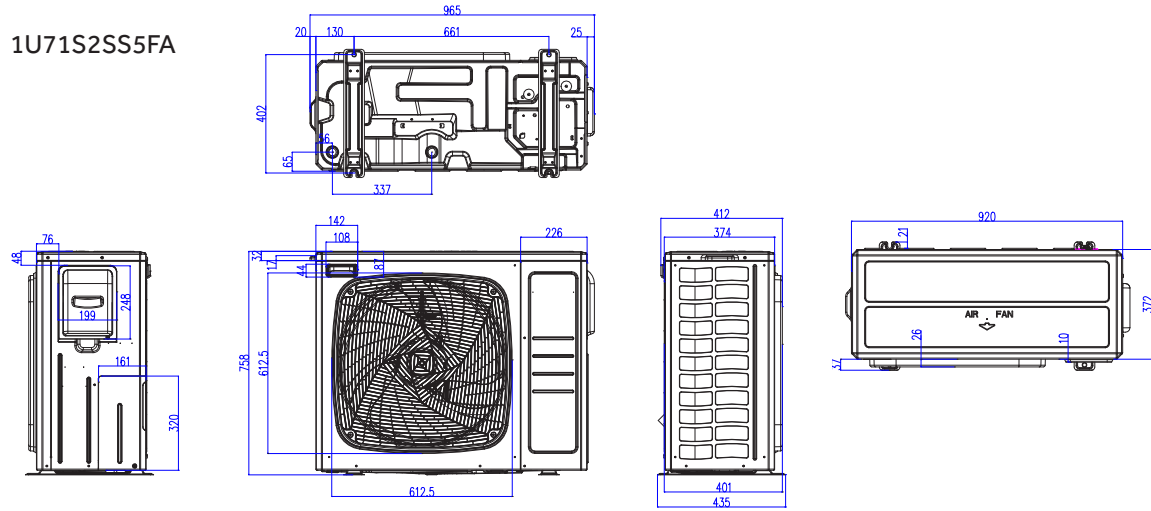
SmartZone Controller, HW-ZA101DBT

- Flexibility to switch on and off up to eight zones
- Customisation of zone name settings
- Backlit display
- Weekly timer

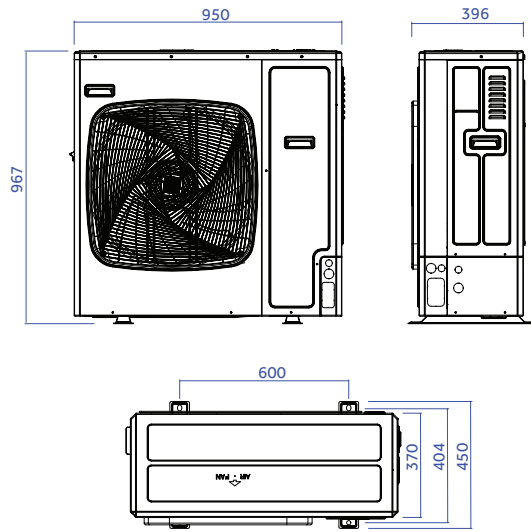


OUTDOOR UNIT DRAWINGS

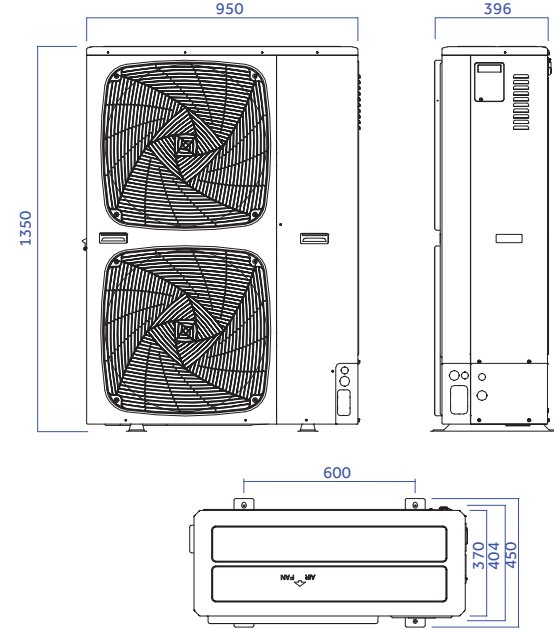
1U71S2SS5FA



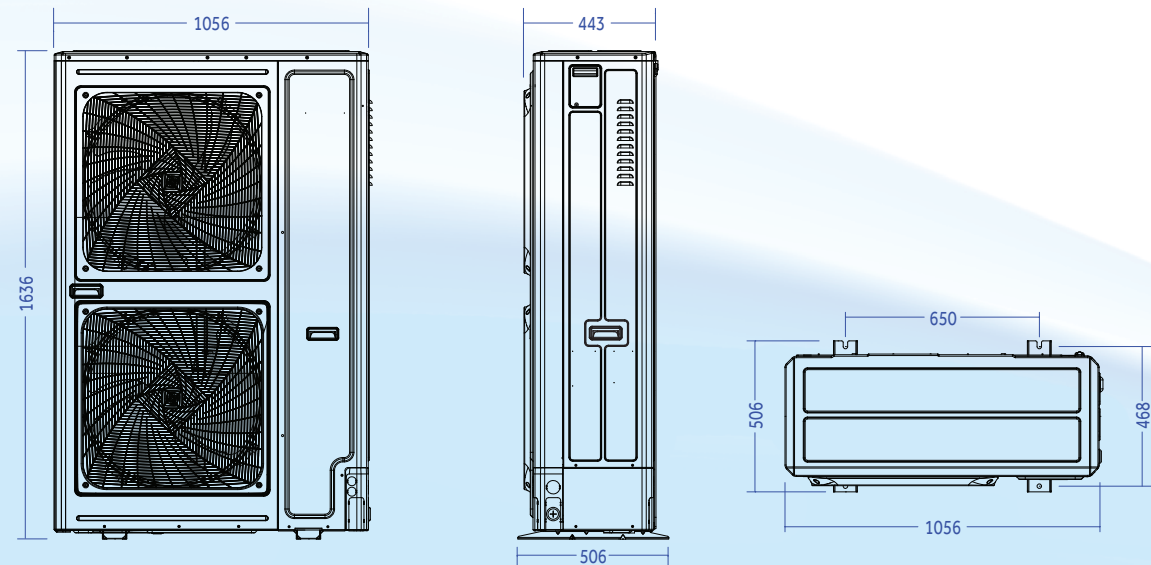
1UH071N1ERG, 1U100S2SN5FA, 1UH105N1ERG



1U125S2SP5FA, 1U140S2SP5FA, 1U160S2SP5FA, 1UH125P1ERG, 1UH125P1ERK



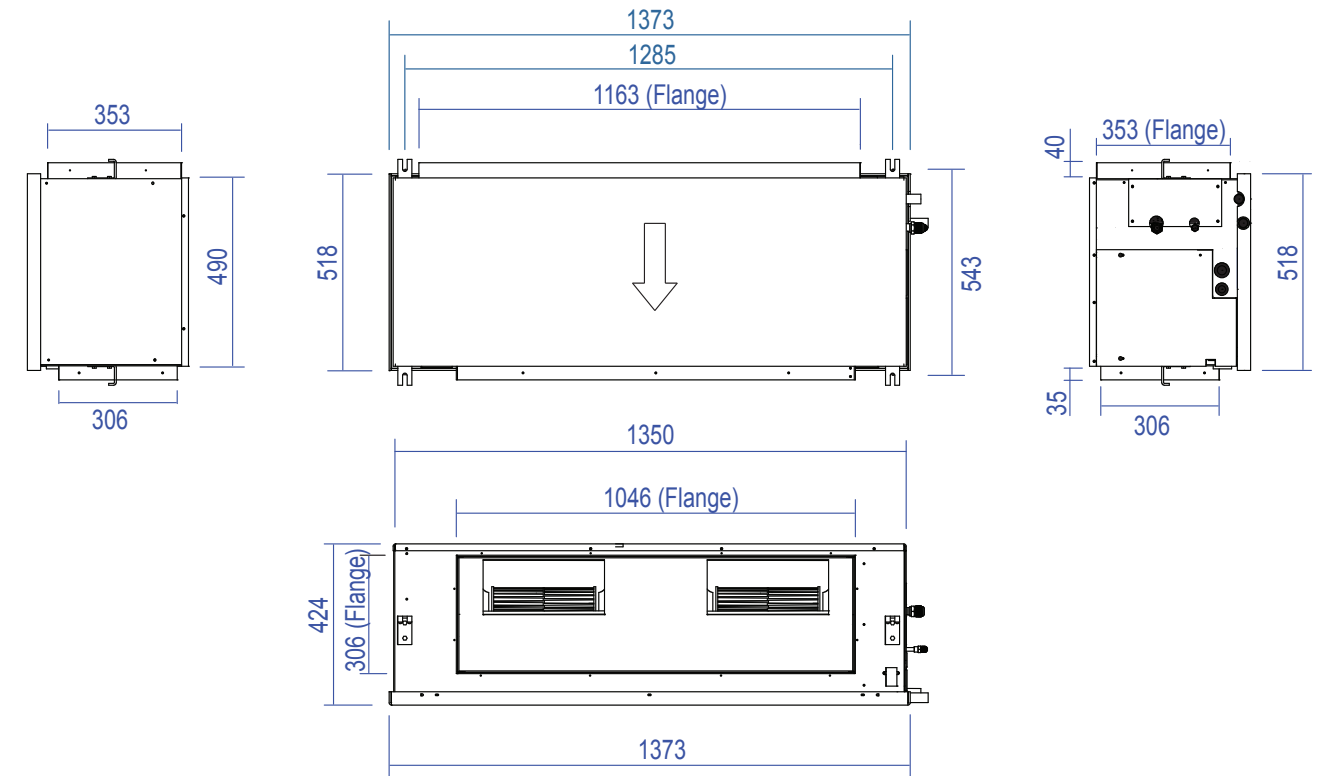
1UH200W1ERK, 1UH250W1ERK



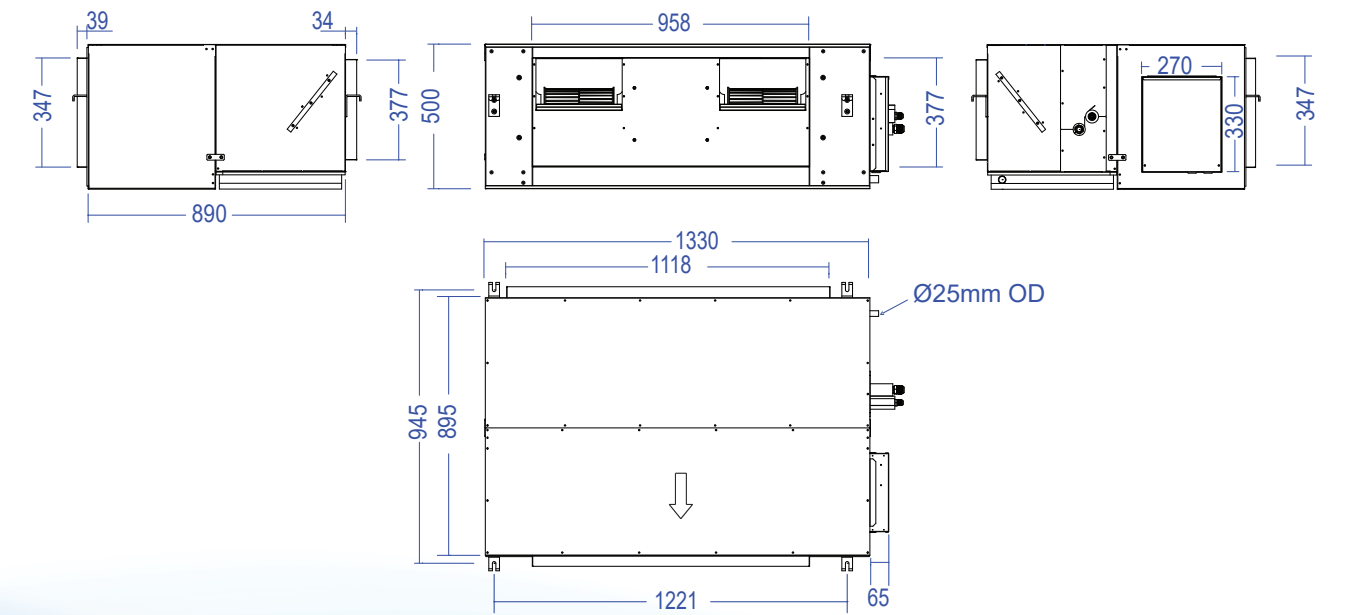
INDOOR UNIT DRAWINGS

HIGH STATIC DUCTED

AD100S2SH5FA, AD125S2SH5FA, AD140S2SH5FA, AD160S2SH5FA

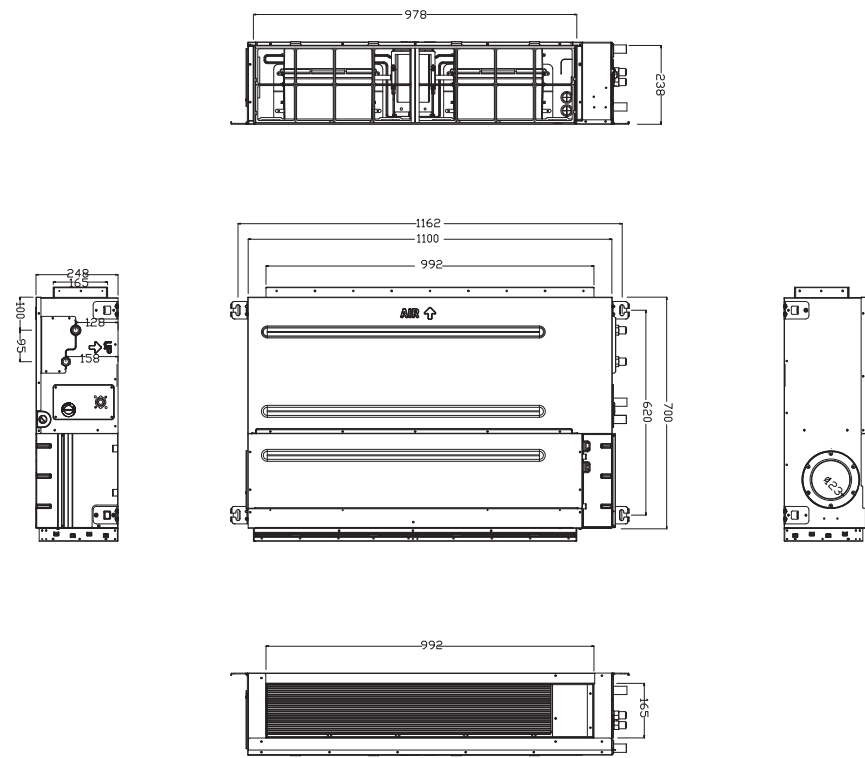


ADH200H1ERG, ADH250H1ERG

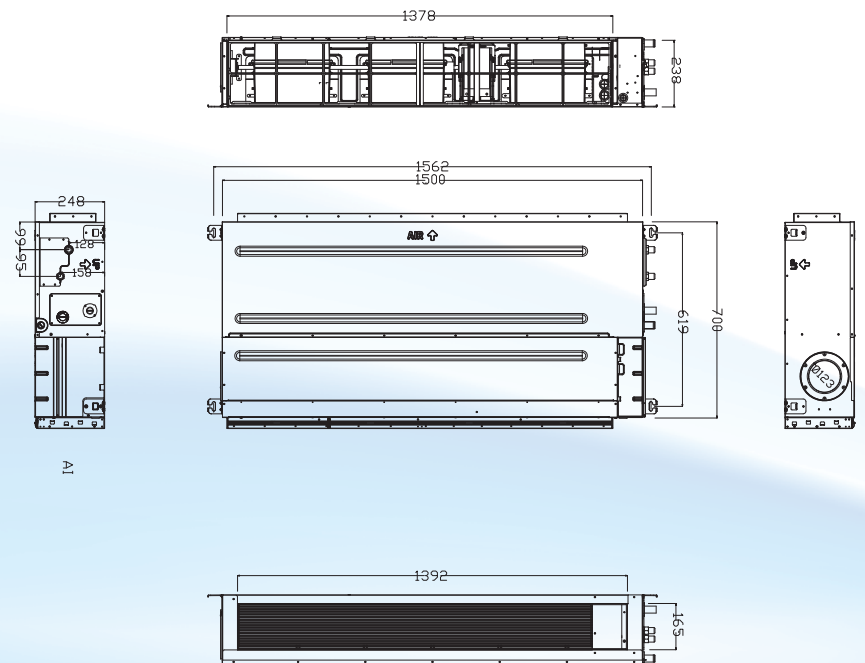


LOW PROFILE DUCTED

AD71S2SM7FA



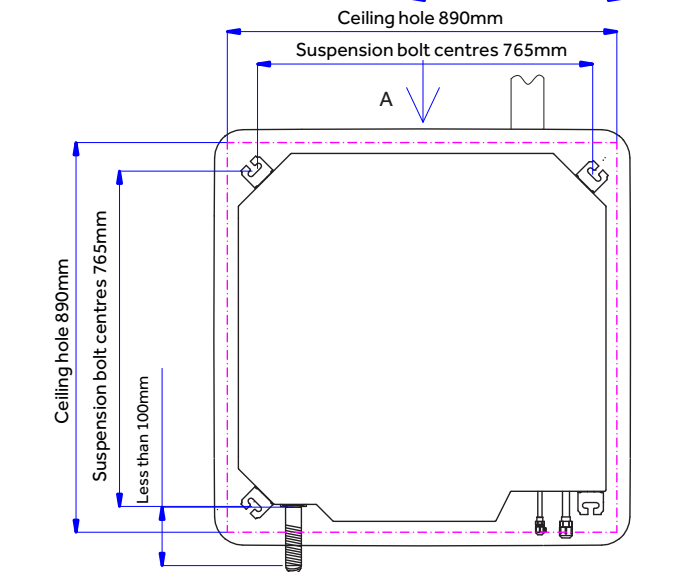
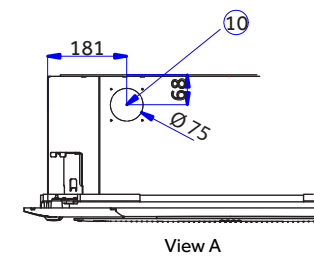
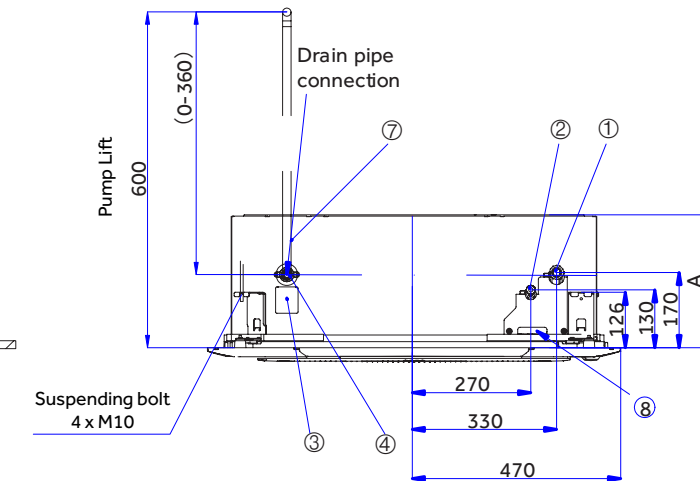
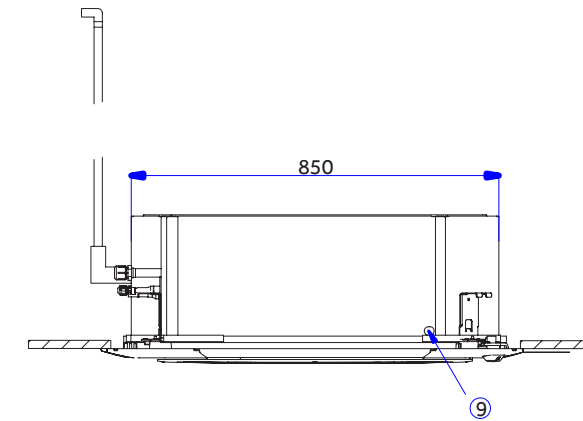
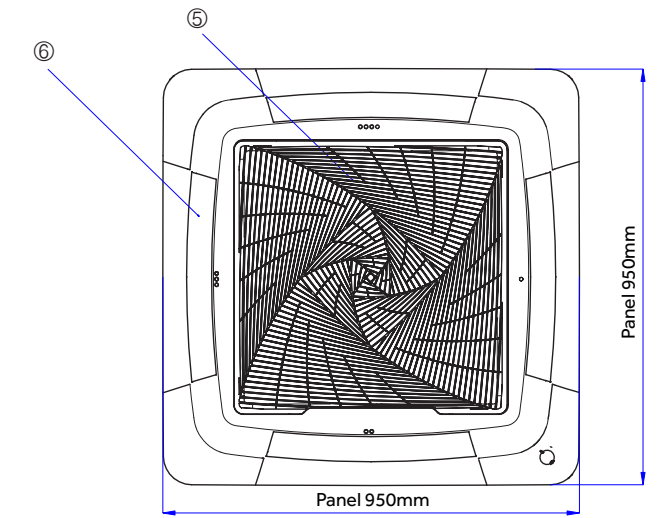
AD100S2SM7FA, AD125S2SM7FA, AD140S2SM7FA



ROUND WAY CASSETTE

ABH071H5ERG, ABH105K5ERG, ABH125K5ERG

Code	Name
1	Gas pipe
2	Liquid pipe
3	Drain observation plate
4	Drain pipe
5	Air return grille
6	Air outlet
7	Drain connection pipe (accessory)
8	Power supply inlet
9	PQ line inlet
10	Fresh air inlet



Model	ABH071H5ERG	ABH105H5ERG	ABH125K5ERG
A (mm)	248	288	288

Haier Brand Story

Who is Haier? World's largest home appliance manufacturer



Haier is the number one brand of major appliances in the world in volume sales*



Founded in 1984, 2021 marked our 37th year



Parent company of GE Appliances



Distributed by Fisher & Paykel, a wholly owned Haier subsidiary

*Source Euromonitor International Limited: Consumer Appliances 2018 ed. % unit share, 2017 data. Major Appliances category is the sum of dishwashers, home laundry appliances, large cooking appliances, microwaves and refrigeration appliances.



The evolution of Haier Air Conditioning



1985

- Qingdao Qingkong Air Conditioner Factory formed
- China's **first Split System AC**

2010

- Introduced **intelligent AC**

1993

- Qingdao Qingkong AC Factory **merged** with Haier Group
- China's **first Inverter AC**

2011-2012

- Improved air quality features including models with formaldehyde elimination and PM2.5 elimination

1994

- Haier gains **ISO9001 Certificate**
- Haier acquires **first export** business to Italy

2013-2014

- Launched **Wi-Fi AC** in China, Italy & South Asia
- Maintaining 15% market share in America for WAC and top 5 ranking in Italy

1998

- China's **first DC Inverter AC**

2015-2016

- Built the world's most advanced intelligent factory
- Launched full range of evaporator self-cleaning air conditioners in the industry
- Haier Vietnam air conditioner factory started manufacturing

2000-2003

- Energy Star Certification from **EPA**
- Commenced exporting to **Japan**
- DC Inverter with R410A technology

2017-2018

- Launched easy installation products – Flexis Series
- Haier India air conditioner factory started manufacturing

*Haier is the number one brand of connected air conditioning (including smart air conditioning) in the world, with a market share of over 31% in terms of volume sales in 2020. Source: Euromonitor International Limited. Date issued: March 2021.



Customer Care

The fastest growing localised AC service team in the country

Visit the website for technical data

haier.com.au/air-conditioning

24/7 customer support and service booking

1300 729 948

Haier

Important notice of Disclosure: Copyright © Fisher & Paykel Appliances 2021. All rights reserved. The product dimensions and specifications in this brochure apply to the specific products and models described at the date of issue. Under our policy of continuous product improvement, these dimensions and specifications may change at any time. You should therefore check with your dealer or Haier's Customer Care Centre to ensure this flyer correctly describes the products currently available.

Fisher & Paykel Australia Pty Ltd, Level 1, 1 Eden Park Drive,
Macquarie Park, NSW 2113. Phone Customer Care: 1300 729 948
Email: customer.care@haier.com.au

Version 2022/01