

ADH200H1ERG/1UH200W1ERK ADH250H1ERG/1UH250W1ERK

DUCTED INDOOR UNIT - HIGH STATIC - THREE PHASE



**ADH200H1ERG
ADH250H1ERG**



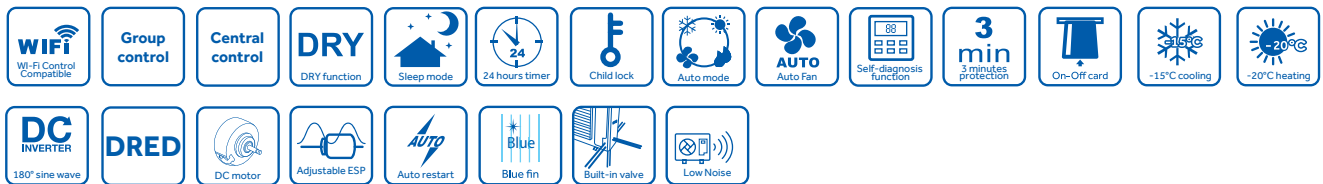
**1UH200W1ERK
1UH250W1ERK**



ADH200H1ERG ADH250H1ERG DUCTED



YR-E17
Included

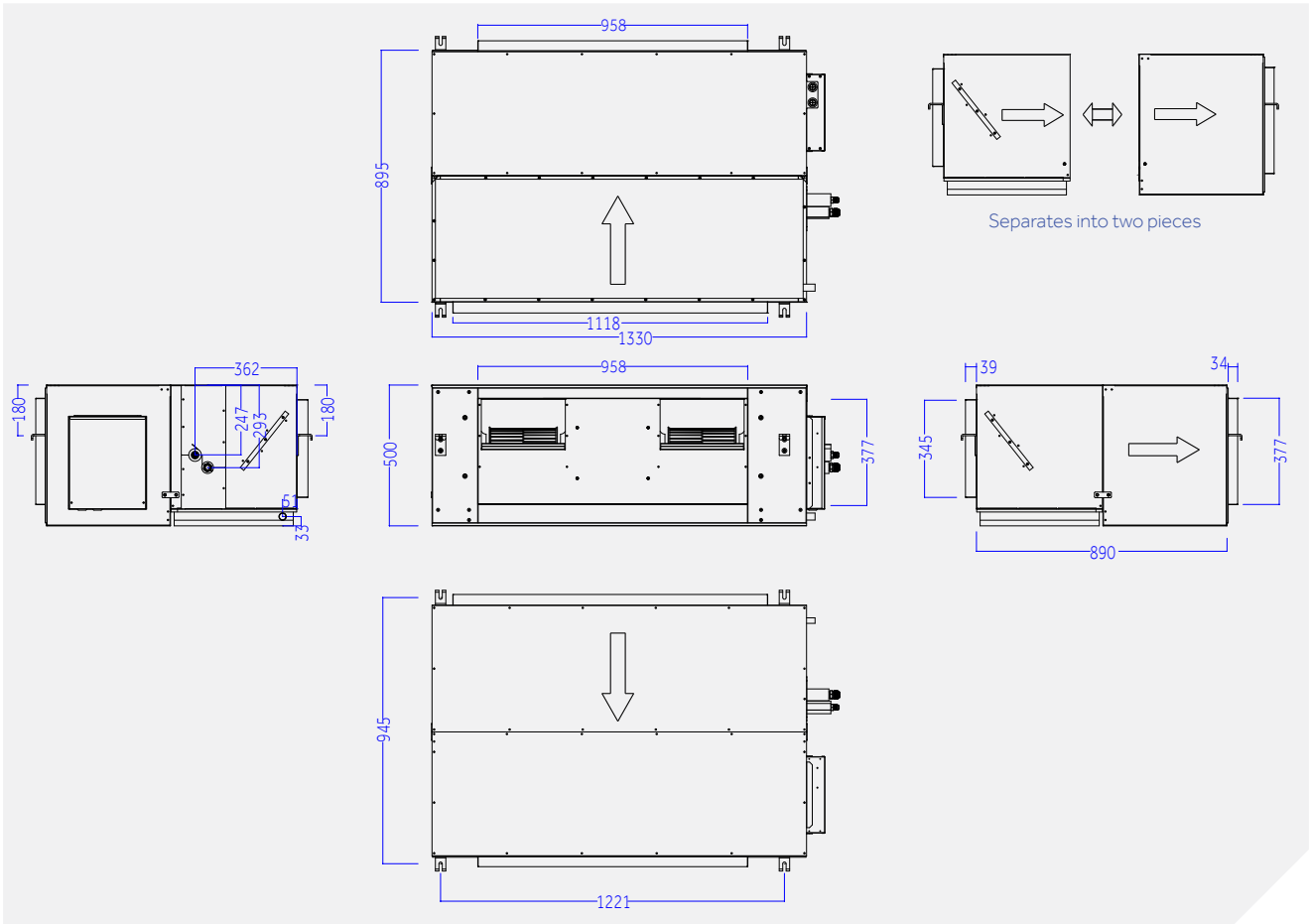


Model		Indoor unit	ADH200H1ERG	ADH250H1ERG
		Outdoor unit	1UH200W1ERK	1UH250W1ERK
Rated performance data	Capacity	Cooling	kW Nom (min-max) 20.5 (6.2-23.5)	24.0 (7.2-26.5)
		Heating	kW Nom (min-max) 22.8 (7.2-24.8)	26.8 (8.2-28.8)
	Rated power input	Cooling	kW Nom (min-max) 6.1 (2.5-8.5)	7.47 (3.5-9.5)
		Heating	kW Nom (min-max) 6.0 (2.5-8.5)	7.18 (3.5-9.5)
	EER		3.36	3.21
COP		3.80	3.73	
Indoor Unit				
Performance	Air flow (H/M/L)	m3/h	4320/3780/3420/3060	5040/4500/3960/3600
		L/S	1200/1050/950/850	1400/1250/1100/1000
	External Static Pressure	pa	62-300	72-300
	Sound power level (H/M/L)	dB(A)	54/50/45	55/51/47
Installation	External dimensions (WxDxH)	mm	1330x895x500	1330x895x500
	Shipping dimensions (WxDxH)	mm	1510x1037x568	1510x1037x568
	Net/Shipping weight	kg	96/125	96/125
	Supply air Flange	mm	958x377	958x377
	Return Air Flange	mm	1118x345	1118x345
	Wired Controller		Standard Optional	YR-E17 YR-HBS01
Outdoor Unit				
Electrical	Power supply	Ph/V/Hz	3/380-415/50/60	3/380-415/50/60
	Rated Amps	Cooling	10.3	12
		Heating	10	11.8
	Maximum Amps	Cooling	15.3	16.3
Heating		15.3	16.3	
Performance	Sound power level	dB(A)	75	75
	Sound pressure level	dB(A)	58	58
Installation	External dimensions (WxHxD)	mm	1050x400x1636	1050x400x1636
	Shipping dimensions (WxHxD)	mm	1150x510x1795	1150x510x1795
	Net/Shipping weight	kg	160/175	160/175
	Compressor type		twin rotary	twin rotary
	Refrigerant type		R410A	R410A
	Refrigerant liquid pipe	mm	12.7	12.7
	Refrigerant gas pipe	mm	19.05	22.22
	Max pipe length	m	75	75
	Max height between I.U.&O.U	m	50	50
	Refrigerant pre-charged	kg	6.35	6.35
	Pre-charged line length	m	30	30
	Additional gas charge	g/m	45	45
Working temp.	Cooling (Min-Max)	°C	-15 to 50	-15 to 50
	Heating (Min-Max)	°C	-20 to 24	-20 to 24

DRAWINGS

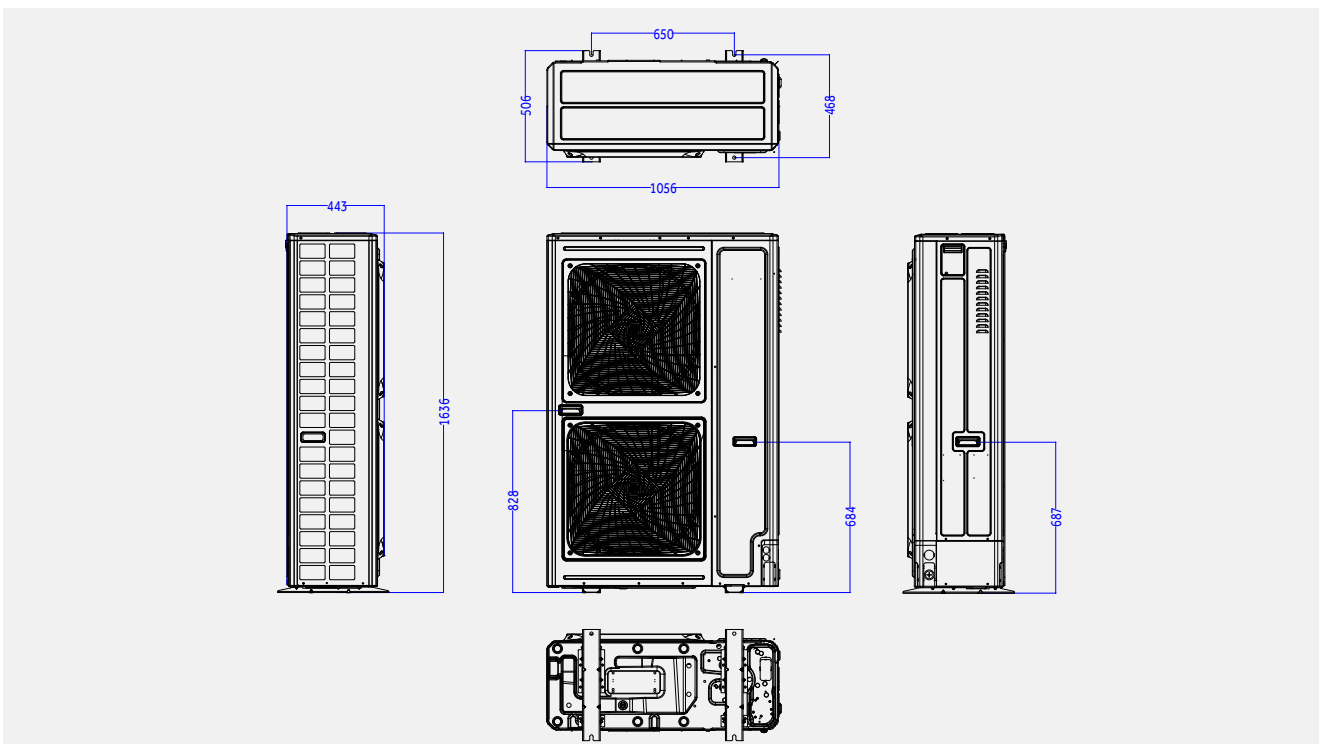
INDOOR UNITS

ADH200H1ERG ADH250H1ERG



OUTDOOR UNITS

1UH200W1ERK 1UH250W1ERK





For Haier Appliances

Australia 1300 729 948 | haier.com.au

New Zealand 0800 424 372 | haier.co.nz

Haier

Important notice of Disclosure: Copyright © Fisher & Paykel Appliances 2018. All rights reserved.

The product dimensions and specifications in this brochure apply to the specific products and models described at the date of issue. Under our policy of continuous product improvement, these dimensions and specifications may change at any time. You should therefore check with your dealer or Haier's Customer Care Centre to ensure this flyer correctly describes the products currently available.

Fisher & Paykel Australia Pty Ltd, Level 1, 1 Eden Park Drive, Macquarie Park, NSW 2113.
Phone Customer Care: 1300 729 948 Email: customer.care@haier.com.au

Fisher & Paykel Appliances Ltd, 78 Springs Road, East Tamaki, Auckland 2013.
Phone Customer Care: 0800 424 372. Email: customer.care@haier.co.nz

Version 1