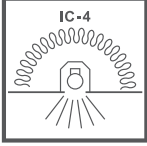


OVOLO

Thanks for choosing our OVOLO Downlight products.
We strongly recommend that you read this manual carefully before installation.



IC-4

- Suitable for residential or commercial use
- Fitting can be covered with building insulation
- Can be used where air transfer is not permitted or not desired between living space & roof space



Do not cover

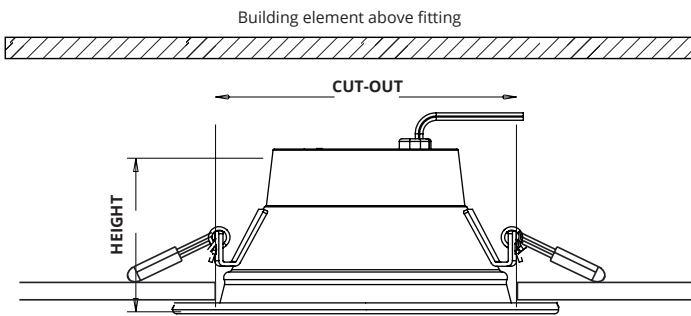
- Suitable for residential or commercial use in AU.
- Fitting cannot be covered with building insulation
- Insulation must be placed as per clearance distances according to manufactures installation guide

Installation Instructions

1. Cut a hole in the ceilings according to the table below:

PRODUCT CODES	CUT-OUT	HEIGHT	FACE DIAMETER	IC RATING
OVL14W145R	120mm	61mm	143mm	IC-4
OVL18W165R	135mm	63mm	165mm	DO NOT COVER
OVL20W200R	162mm	68mm	200mm	DO NOT COVER
OVL30W230R	195mm	75mm	230mm	DO NOT COVER

2. Select CCT and power settings.
3. Insert plug and cable through the cut-out into the ceiling cavity and plug into a pre-wired socket outlet inside the ceilings
4. Fold mounting clips up to the sides of the luminaire and insert luminaire through the cut-out. The mounting clips will retract onto the rear face of the ceiling and hold the luminaire in position.
5. Insulation cannot abut and cover the luminaire.



WARNING

- If the external flexible cord of this luminaire is damaged, it shall be exclusively replaced by the manufacturer or by a service agent or licenced electrician in order to avoid a hazard.
- Non-user replaceable light source. The light source contained in this luminaire shall only be replaced by the manufacturer or by a service agent or licenced electrician.
- The diffuser is integral to the luminaire and cannot be removed without being permanently damaged.
- The luminaire must be installed by professional electrician.
- Switch power off when wiring the luminaire.
- Ensure input voltage conforms to the voltage range of product.
- Ensure wires are securely connected.
- Before switching on, ensure that all the wiring is correct.
- The warranty is void if product is not installed according to the instructions.

Product Code: **OVL14W145R**
OVL18W165R
OVL20W200R
OVL30W230R

WARNING

The luminaire must be installed by professional electrician.
Switch power off when wiring the luminaire.
Ensure input voltage conforms to the voltage range of product.
Ensure wires are securely connected.
Before switching on, ensure that all the wiring is correct.
The warranty is void if product is not installed according to the instructions.

Product Code: **STAX20W4K**
STAX30W4K
STAX15W30W-TRI
STAX50W-TRI
STAX100W4K
STAX150W4K
STAX200W4K