

SKYLUX^{EVO}

**Product Code: SKYLUX150W-EV
SKYLUX200W-EV**

Thank you for choosing Haneco SKYLUX EVO Highbay.
We strongly recommend that you read this manual carefully before installation.

This installation guide is suitable for SKYLUX EVO model.

WARNING

- Installation must be carried out by a licenced electrician and in accordance with these instructions and relevant Australian standards and local regulations.
- Ensure input voltage conforms within product specifications.
- Ensure wires are securely connected.
- Before switching on, ensure all wires are correctly connected.
- The warranty is void if product is not installed according to the instructions.

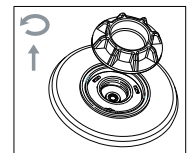
Note: Product technical information and specification may change over time without prior notice. For latest information, please contact our customer service or visit our website www.haneco.com.au

Product Specification

PRODUCT CODE	POWER	CCT	VOLTAGE/ FREQUENCY	IK/IP RATING	OPERATING TEMPERATURE
SKYLUX150W-EV	100/120/150W	5000K	220-240Vac 50/60Hz	IK08 IP65	-35 - 50°C
SKYLUX200W-EV	100/150/170/200W				

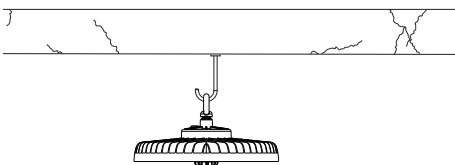
Installation

1. Ensure main power supply is switched off before commencing the installation.
2. Remove the IP65 cover to access the power switch. Push inward and turn counterclockwise to remove the IP65 cover as shown in the figure below.
3. Set the desired power.
4. Ensure to install the IP65 cover.
5. Screw the eye bolt on top of the luminaire.
6. Install optional accessories and desired mounting setting.
7. Install the luminaire onto the desired location.

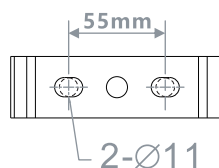
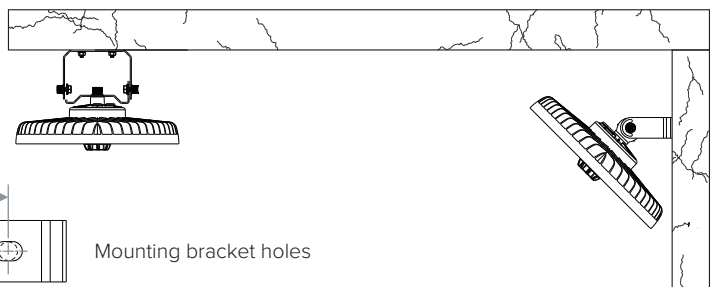


Mounting Option

Ceiling mounting with hook



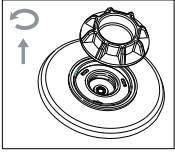
Ceiling or wall mount with bracket
Not Included (available as accessories)



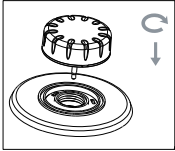
SKYLUX^{EVO}

**Product Code: SKYLUX150W-EV
SKYLUX200W-EV**

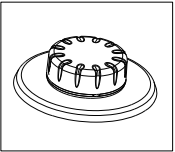
Motion Sensor Installation



STEP 1. Switch Off the power supply. Remove the IP65 cover by rotating it counterclockwise and pull outward.

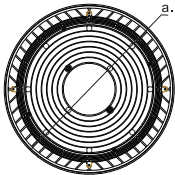
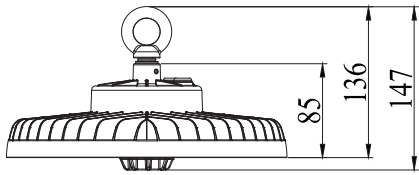
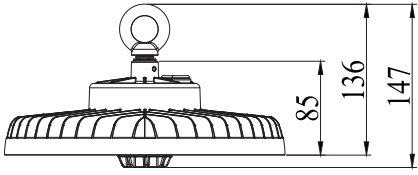


STEP 2. Insert the microwave sensor (HIGHBAY- MS : 20022281). Push downward and turn clockwise (360°) to engage the sensor. Motion sensor setting are set using a remote controller (HIGHBAY-REMOTE : 2002282).



STEP 3. It is correct installation when the microwave sensor are aligned with the marker as shown in image. Turn ON the unit power and set the microwave sensor suit.

Product Dimension

		
Product	SKYLUX EVO	
	150W	200W
a	252	290

Accessories (Not included)

PRODUCT CODE	Part number	Description
SKYLUXG4-BRKT	2002276	Skylux Mounting Bracket
SKYLUX-G5/EV-MS	2002438	Sensor- DH07-VR-MH-1
HIGHBAY-REMOTE	2002282	Remote control
SKYLUX200W-G5-90L	2002437	200W - 90° lens
SKYLUX200W-G5-60L	2002036	200W - 60° lens
SKYLUX120W-G5-90L	2002035	120W - 90° lens
SKYLUX120W-G5-60L	2002434	120W - 60° lens
SKYLUX120G4-PR	2002277	HANECO SKYLUX 120W PRISMATIC REFLECTOR WITHOUT COVER
SKYLUX200G4-PR	2002278	HANECO SKYLUX 200W PRISMATIC REFLECTOR WITHOUT COVER
HBAY-DALI-CONV	2002095	DALI Converter