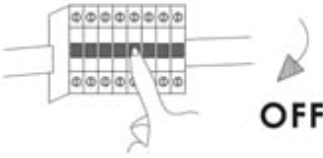


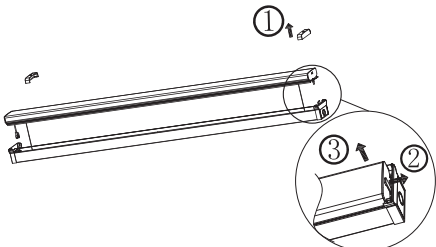
HANECO LIGHTING LED INSTALLATION GUIDE

VISTA SERIES

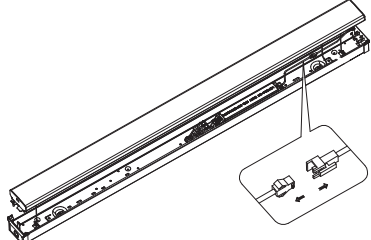
INSTALLATION INSTRUCTIONS:



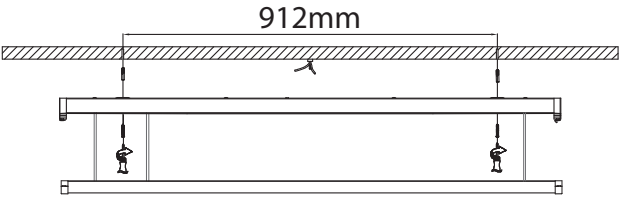
1. Switch off power.



2. Remove caps, unscrew diffuser and remove.



3. Disconnect driver connection and earth line.



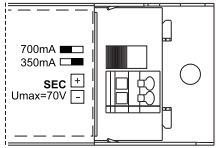
4. Fasten chassis to surface.

Intellisensor

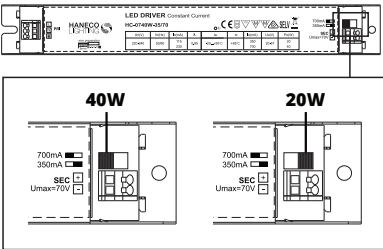
Dimmer Type	Light Time	Dimmer Class	Start Mode	Start Angle
1	100%	1	On	0%
2	50%	2	On	0%
3	25%	3	On	0%
4	100%	4	Off	100%
5	50%	5	Off	100%
6	25%	6	Off	100%

Note: 1. 100% means full output.
 2. 0% means full dimming control. Reduce power switches off.
 3. Factory default setting: 100% 100% 100% 100%

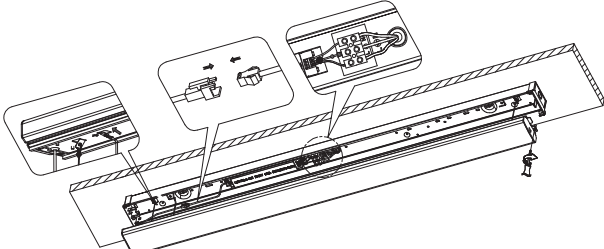
Ecoswitch



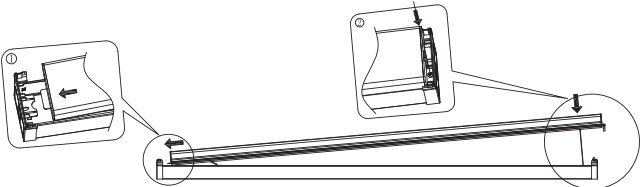
5. For **Intellisensor** models, see attached leaflet for setup guide. **Ecoswitch** models got to step 6. All other models go to step 7.




6. Toggle switch left for 40W output.
Toggle switch right for 20W output.



7. Re-connect driver connection and wire terminal block as indicated.




8. Fasten diffuser to chassis, replace caps.



9. Switch power on.

Installation of the product must be carried out by a licensed electrician, in accordance with these instructions and relevant Australia Standards or local regulations.

 Class II Double Insulated Fitting