

## Spec Sheet: IPD S7 Fuse Fittings

- Self cleaning, self aligning base contacts
- 100A in 2a and 2B fuse dimensions
- Front and rear wire versions in black or clear
- NSW intrusion barrier sealable versions
- Made from flame retardant thermoplastic



### Standards

Australian Standard AS60269

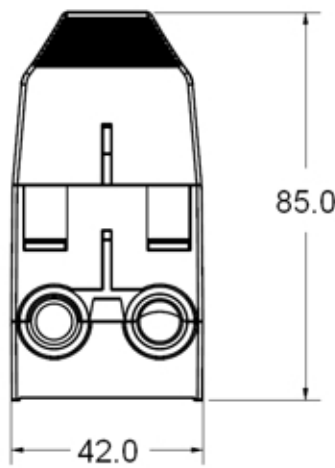
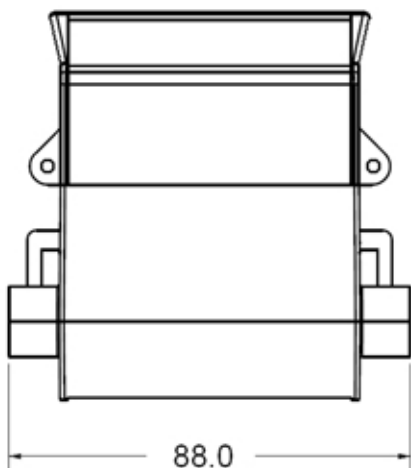
### Range

<b>Rated current (Ie)</b>	100A
<b>Rated voltage (Ue)</b>	500V
<b>Rated peak withstand current</b>	33kA
<b>Rated impulse withstand voltage (Uimp)</b>	8kV
<b>Screw mounting size (all)</b>	M5
<b>Weight 1P (Front wire)</b>	0.3kg
<b>Max Cable Size (front / rear)</b>	50mm <sup>2</sup>
<b>Maximum tightening torque (front)</b>	3-4Nm
<b>Fuse type available</b>	2a / 2b

Rated Current (A)	Type of Connection	Colour	Pack Quantity	Catalogue Number
100A	100A back wire 2a fuse	Black	10	<b>S71002ABWS</b>
	100A front wire 2a fuse			<b>S71002AFWS</b>
125A	125A back wire off load disconnecter including M5 nylon mounting screw	Clear		<b>S7125BWQ</b>
	125A front wire off load disconnecter including M5 nylon mounting screw			<b>S7125FWQ</b>
100A	100A back wire 2b fuse	Black		<b>S71002BBW</b>
	100A back wire 2B fuse, socket screws			<b>S71002BBWX</b>
	100A front wire 2b fuse	Clear		<b>S71002BFW</b>
	100A front wire 2b fuse			<b>S7CLR2BFW</b>
	100A back wire 2b fuse + barrier	Black		<b>S71002BBWAI</b>
	100A front wire 2b fuse + barrier			<b>S71002BFWAI</b>
	100A back wire 2b fuse + barrier	Clear	<b>S7CLR2BBWAI</b>	
	100A front wire 2b fuse + barrier		<b>S7CLR2BFWAI</b>	

### Dimensions

Front and Back Wire Models



Back Wire Drilling

