

Data Sheet

Excel Life™

Dedicated Plate - Double Powerpoint, 10A

CAT NO. ED777WE, ED777UG, ED777BL



Cat No.	ED777WE, ED777UG, ED777BL
Description	Excel Life Dedicated Plate - Double Powerpoint, 10A
Supply voltage	230 - 240V a.c.
Current rating	10A
Colour	White (WE), Urban Grey (UG), Black (BL)
Plate size (W x H x D)	121 x 77 x 10mm
Mounting centres	84mm
Compliance	AS/NZS 3112

Excel Life™

Dedicated Plate - Double Powerpoint, 10A

CAT NO. **ED777WE, ED777UG, ED777BL**



- Small Footprint (fit 2 x Ø40mm cut-outs)
- Internal safety shutters for extra safety
- Captive terminal screws
- Carburised steel and deep head screws
- Angled terminal screws for ease of use with power tools
- Funnel shape cable terminals
- Raised insulated barriers on terminals
- Elongated oblong mounting holes for better levelling

Single product	
Cat No.	Barcode
ED777WE	9321001396529
ED777UG	9321001411253
ED777BL	9321001452058

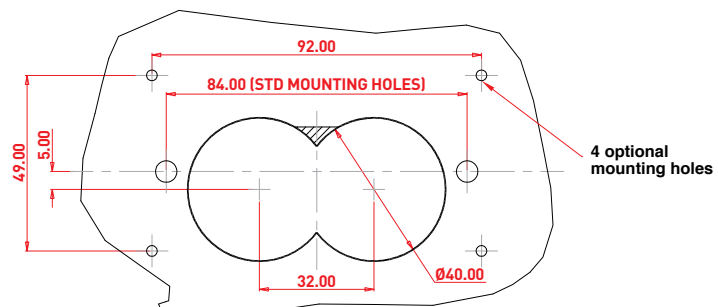
Inner box (QTY 10)		
Cat No.	Barcode	Dimensions (W x H x D)
ED777WE	9321001396536	160 x 160 x 120mm
ED777UG	9321001411918	160 x 160 x 120mm
ED777BL	9321001452775	160 x 160 x 120mm

Outer box (QTY 120)		
Cat No.	Barcode	Dimensions (W x H x D)
ED777WE	9321001396543	499 x 333 x 266mm
ED777UG	9321001412571	499 x 333 x 266mm
ED777BL	9321001453475	499 x 333 x 266mm

Glass and tile cut-out dimensions:



Timber cut-out dimensions:



HPM Legrand - AUS
1300 369 777
www.legrand.com.au
ABN 31 000 102 661

HPM Legrand - NZ
0800 476 009
www.legrand.co.nz

Refer to your group buying office, HPM Legrand Sales Representative or HPM Legrand Sales Office for pricing.

HPML0591

02/2016