

Data Sheet

Excel Life™

Dual USB Charger Mechanism

CAT NO. **EMUSB2PSAWE, EMUSB2PSAUG, EMUSB2PSXWE, EMUSB2PSXUG**



EMUSB2PSAWE



Application example
EMUSB2PSAWE + ED777XWE

Cat No	EMUSB2PSAWE	EMUSB2PSAUG	EMUSB2PSXWE	EMUSB2PSXUG
Description	Excel Life™ Dual USB Charger Mechanism		Excel Life™ Dual USB Charger Mechanism with In-line connector	
Colour	White (WE)	Urban Grey (UG)	White (WE)	Urban Grey (UG)
Nominal input voltage	230-240V a.c.			
Nominal input frequency	50 Hz			
Nominal input current	250mA			
Stand-by power consumption	< 0.07W			
Nominal output voltage	5V d.c.			
Nominal output current	2 x 2.4A			
Energy efficiency	Level VI, ≥ 84% measured at USB socket output side			
Safety standard	AS/NZS60950-1, AS/NZS 4665, AS/NZS 3100			
Protection class	Class II			
Overload protection (on output)	5.1A ± 0.2A			
Surge protection	4,500A, 150 joules			
In-line connector	No		Yes	
Operating temperature	5° to 40°C			

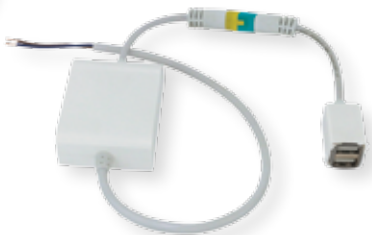
Excel Life™ Dual USB Charger Mechanism



CAT NO. **EMUSB2PSAWE, EMUSB2PSAUG, EMUSB2PSXWE, EMUSB2PSXUG**



EMUSB2PSAWE

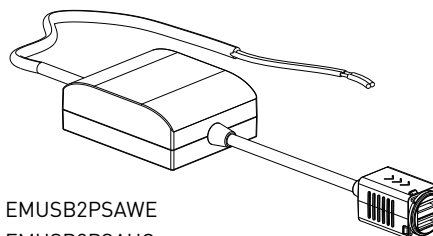


EMUSB2PSXUG

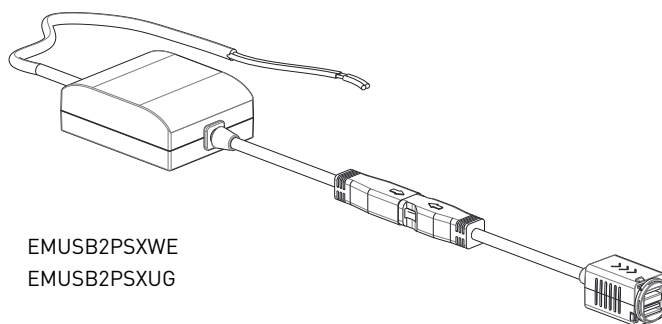
- 2 x 2.4A USB Ports: high charging capacity
- Capable of charging up to two tablets/smartphones simultaneously at their maximum capacity
- Suitable for smartphones, tablets, fitness bands and running watches
- Charging module installed in wall cavity
- To be installed in Excel Life switch plates or powerpoints with an extra mechanism hole
- Suitable for all commercial and residential installations such as kitchens and bedside tables
- Overload protection on output (USB circuit)
- Low standby power consumption: < 0.07W
- Use 3m extension lead EAUSBEXT3WE with EMUSB2PSXWE/EMUSB2PSXUG to extend USB socket from Power Supply Charger
- EMUSB2PSXWE/EMUSB2PSXUG can be used with wall boxes 435 or 429R
- Indoor use only

Single product		
Cat No	Dimensions	Barcode
EMUSB2PSAWE	101mmW x 101mmH x 54mmD	9321001448174
EMUSB2PSAUG	101mmW x 101mmH x 54mmD	9321001448167
EMUSB2PSXWE	101mmW x 101mmH x 54mmD	9321001448211
EMUSB2PSXUG	101mmW x 101mmH x 54mmD	9321001448228

Outer box (QTY 12)		
Cat No	Dimensions	Barcode
EMUSB2PSAWE	200mmW x 200mmH x 83mmD	9321001448464
EMUSB2PSAUG	200mmW x 200mmH x 83mmD	9321001448457
EMUSB2PSXWE	200mmW x 200mmH x 83mmD	9321001448501
EMUSB2PSXUG	200mmW x 200mmH x 83mmD	9321001448518



EMUSB2PSAWE
EMUSB2PSAUG



EMUSB2PSXWE
EMUSB2PSXUG

HPM Legrand - AUS
1300 369 777
www.legrand.com.au
ABN 31 000 102 661

HPM Legrand - NZ
0800 476 009
www.legrand.co.nz

Refer to your group buying office, HPM Legrand Sales Representative or HPM Legrand Sales Office for pricing.

Please note: specifications are subject to change without prior notice.