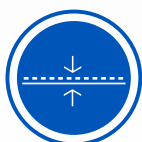
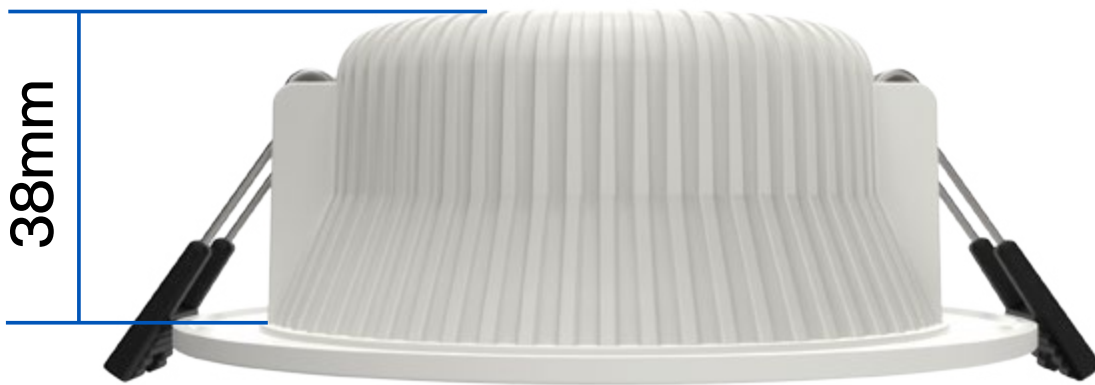


MR8

8W MULTI LED DOWNLIGHT



OUR SLIMMEST
DOWNLIGHT*



COMPATIBLE WITH
MAJOR DIMMERS



FITS UNDER
TRUSSES**

* With an on-board driver
** Fits under majority of trusses

MR Downlight

ML-MR8-M

Product information

The new MR8-M features a low profile body to allow installation under trusses and frames while receiving an updated on-board driver with improved dimming capabilities.

MR8-M includes an IC-4 rating which allows it to rest against, and be covered with, suitable insulation.

*RAPID version available



TECHNICAL INFORMATION

Total Power:	8W*
Lumen Output:	WW 710lm NW 792lm W 737lm
Colour Temp:	WW 3000K NW 4000K W 5700K
IP Rating:	IP40 Back IP54 Front
Efficacy:	89-105lm/w
CRI:	80+
Beam Angle:	110°
Dimmable:	Yes (Triac)
Power Supply:	Integrated
Average Life:	50,000 hrs**
Standby Current Draw :	0.04A
Double Insulated	Yes
Power Factor	>0.9
Dimensions: Base:	Diameter 110mm Depth 38mm*** Cut out 90mm
Warranty:	5 Years

*Total power consumed including driver

** Average life is calculated on expected average lifespan

*** Total depth measured from front of mounting surface to top of heat sink

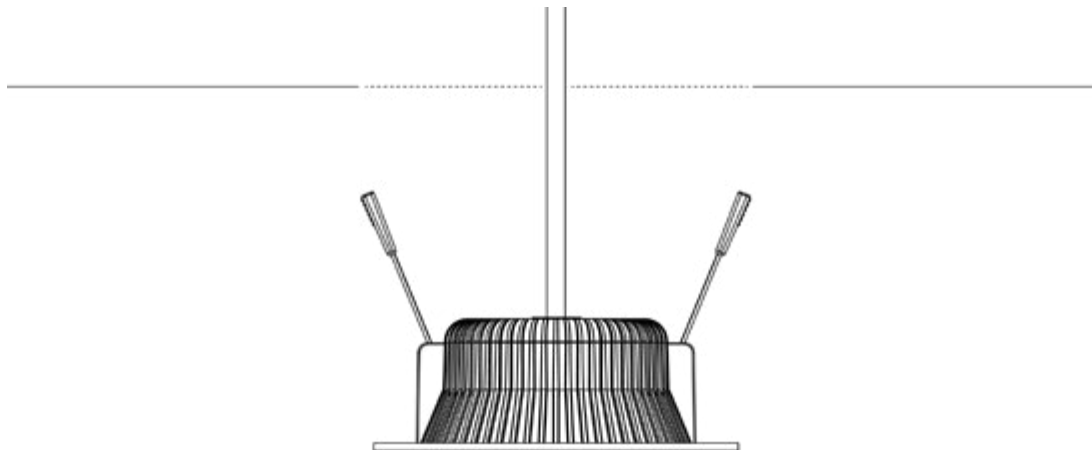
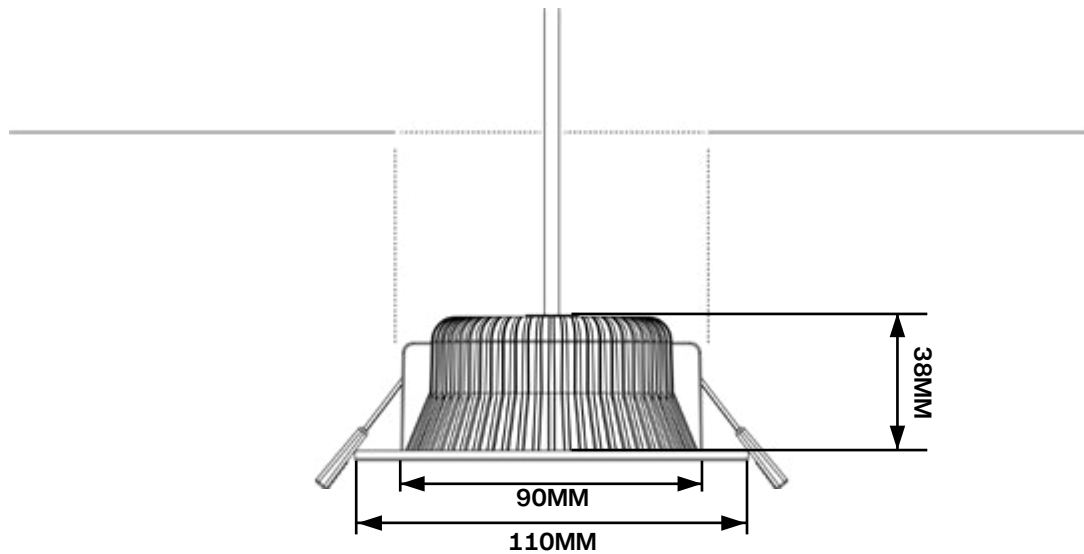
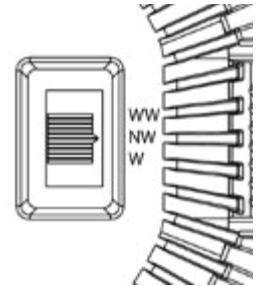
PLEASE NOTE

MUST BE INSTALLED BY A LICENSED ELECTRICIAN

- Read instructions carefully before attempting to install the fitting. Retain this guide for future reference
- Disconnect power before installing or servicing
- All components must not be mechanically stressed
- Follow all relevant electrical and safety standards (including AS3000)
- Damage by corrosion will not be honoured as a material defect claim. It is the user's responsibility to provide suitable protection against corrosive agents such as moisture, condensation and other harmful elements
- Insulation distance: Building insulation and building elements may abut the luminaire on the sides and/or the top.
- The light source of this luminaire is not replaceable - the whole luminaire should be replaced.
- The flexible cord that is damaged can only be replaced by the manufacturer, its service agent, or a similarly qualified person.

INSTALLATION GUIDE

1. Before commencing installation or maintenance, ensure electricity is switched off at the mains
2. Remove existing downlight and disconnect old transformer OR for new installations mark and cut out 90 mm hole in ceiling
3. Set the desired colour output with the "selector switch" on the back of the downlight head (see picture beside)
4. Plug unit into a suitable surface socket OR connect the rapid connector onto the cable
5. Carefully bend spring clips upwards and install new LED downlight



MR Downlight

ML-MR8-M- RAPID

Product information

The new MR8-M features a low profile body to allow installation under trusses and frames while receiving an updated on-board driver with improved dimming capabilities.

MR8-M includes an IC-4 rating which allows it to rest against, and be covered with, suitable insulation.



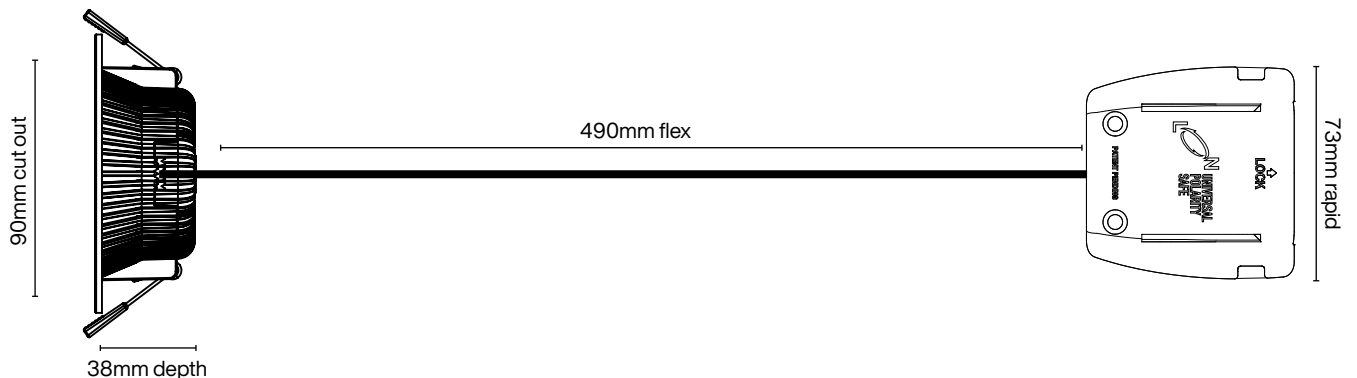
TECHNICAL INFORMATION

Total Power:	8W*
Lumen Output:	WW 710lm NW 792lm W 737lm
Colour Temp:	WW 3000K NW 4000K W 5700K
IP Rating:	IP40 Back IP54 Front
Efficacy:	89-105lm/w
CRI:	80+
Beam Angle:	110°
Dimmable:	Yes (Triac)
Power Supply:	Integrated
Average Life:	50,000 hrs**
Standby Current Draw :	0.04A
Double Insulated	Yes
Power Factor	>0.9
Dimensions: Base:	Diameter 110mm Depth 38mm*** Cut out 90mm
Warranty:	5 Years

*Total power consumed including driver

** Average life is calculated on expected average lifespan

*** Total depth measured from front of mounting surface to top of heat sink



PLEASE NOTE

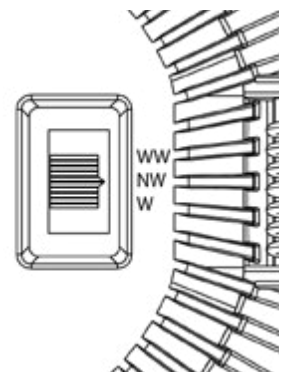
MUST BE INSTALLED BY A LICENSED ELECTRICIAN

- Read instructions carefully before attempting to install the fitting. Retain this guide for future reference
- Disconnect power before installing or servicing
- All components must not be mechanically stressed
- Follow all relevant electrical and safety standards (including AS3000)
- Damage by corrosion will not be honoured as a material defect claim. It is the user's responsibility to provide suitable protection against corrosive agents such as moisture, condensation and other harmful elements
- Insulation distance: Building insulation and building elements may abut the luminaire on the sides and/or the top.
- The light source of this luminaire is not replaceable - the whole luminaire should be replaced.
- The flexible cord that is damaged can only be replaced by the manufacturer, its service agent, or a similarly qualified person.

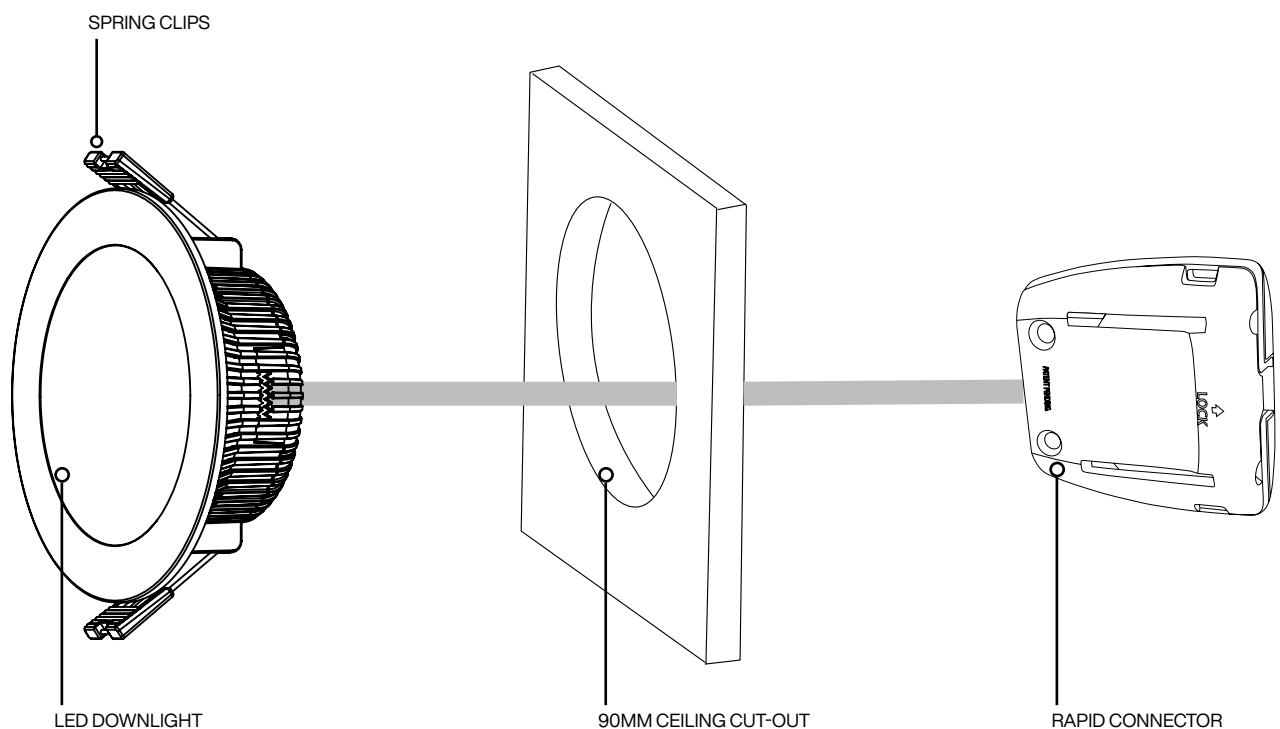
DOWNLIGHT INSTALLATION INSTRUCTIONS

1. Before commencing installation or maintenance, please ensure electricity is switched off at the mains.
2. Remove existing downlight or mark and cut appropriate hole in ceiling.
3. Set the desired colour output with the selector switch on the back of the downlight head.
4. Install Rapid[®] connector, see next page for instructions.
5. Carefully bend spring clips upwards and install the LED Downlight.
6. Test.

3.



5.

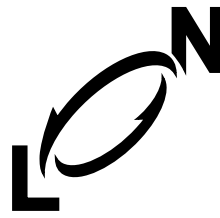


RAPID® CONNECTOR INSTALLATION INSTRUCTIONS

Follow the below steps to connect the Rapid® connector and downlight to an input TPS cable.

PLEASE NOTE!

UNIVERSAL POLARITY SAFE.
This product is **NOT** polarity sensitive.
L & N are interchangeable.



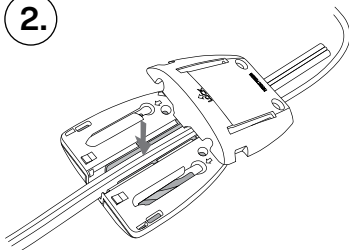
**UNIVERSAL
POLARITY
SAFE**

1. Slide the cover back until you can remove it completely.
 2. For 1.5mm² cable* place the cable into the channel and push it down so it's completely flat.
- OR**
3. For 2.5 mm² cable*, remove the insert in the centre.
 4. Place the cable* into the channel and push it down so it is completely flat.
 5. Align the lid pins with the channel grooves.
 6. Use a steady firm motion and slide the cover closed until you hear a 'click' sound. This indicates the unit is now installed securely.
 7. **OPTIONAL:** Fix the rapid connector into place using suitable fixing screws or the cable tie loops.

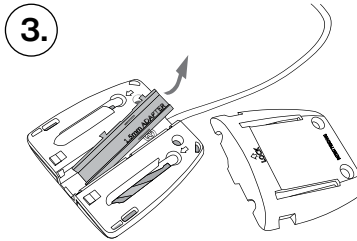
1.



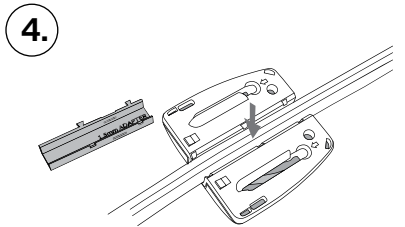
2.



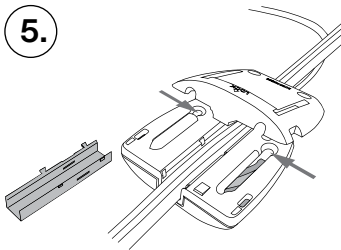
3.



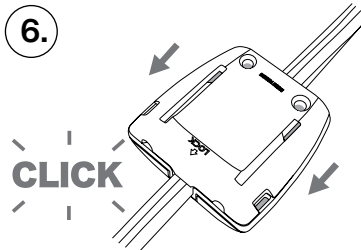
4.



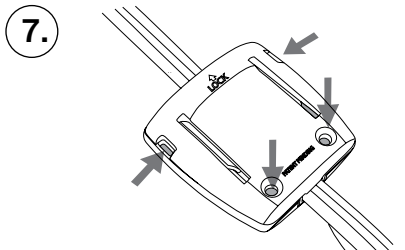
5.



6.

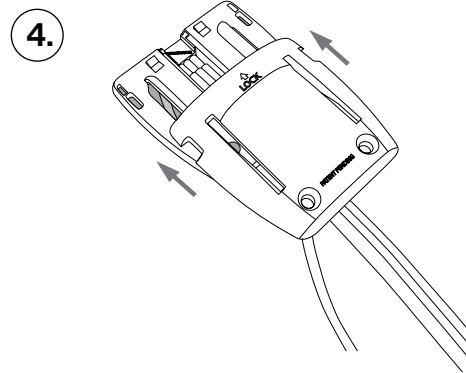
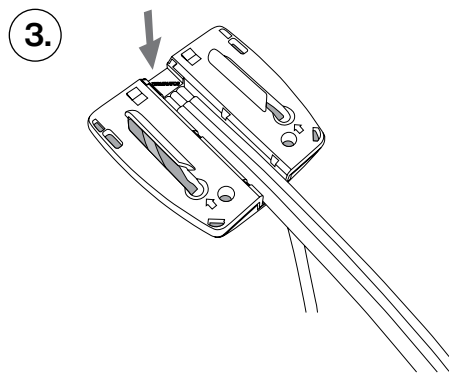
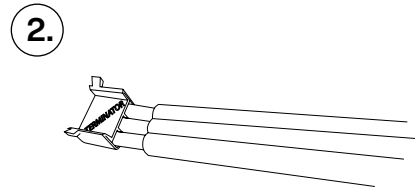
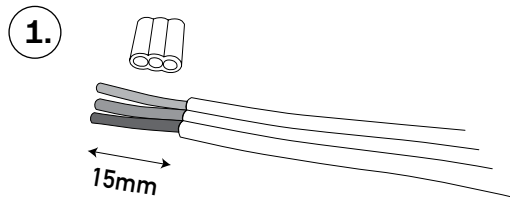


7.



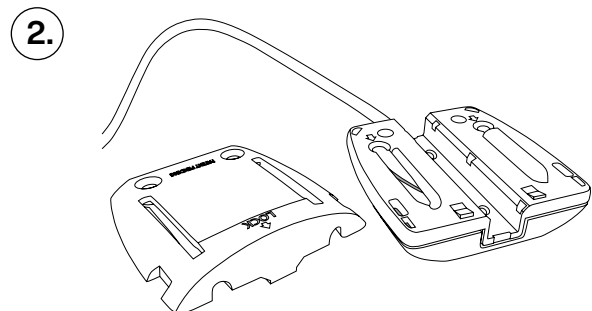
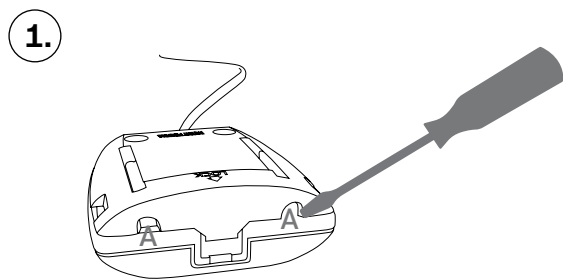
TERMINATION GUIDE FOR RAPID® CONNECTOR

1. Strip 15mm of the outer cable insulation exposing the inner insulated wires.
2. Insert active, earth and neutral insulated cables* into the slots on the terminator block.
3. Clip the terminator block in the top end of the channel ensuring the cable* is sitting flat in the channel.
4. Place the cover on top of the main body and press the pins firmly into the channel grooves. Slide lid forwards until you hear a 'click' sound. This indicates the unit is now installed securely.



UNLOCKING GUIDE FOR RAPID® CONNECTOR

1. Insert a small flat bladed screwdriver into position 'A' and lift slightly.
2. Slide the cover back until you can remove it completely.



Due to our policy of continuous product improvement, we reserve the right to discontinue or update product specifications or designs at any time without notice. Please visit www.melec.com.au for the latest information on our products

FREE
ONSITE WARRANTY

EXCLUSIVE TO
MEMBERS ONLY



FREE ONSITE WARRANTY FOR 3 YEARS
INCLUDES PARTS & LABOUR

In conjunction with your standard product warranty