

NOX3 Floodlight Range

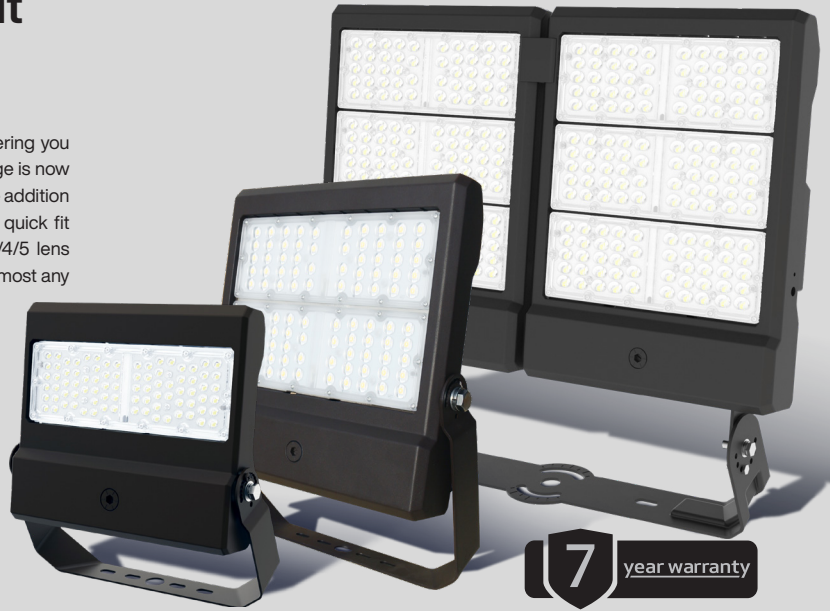
Offset Bracket, High Output



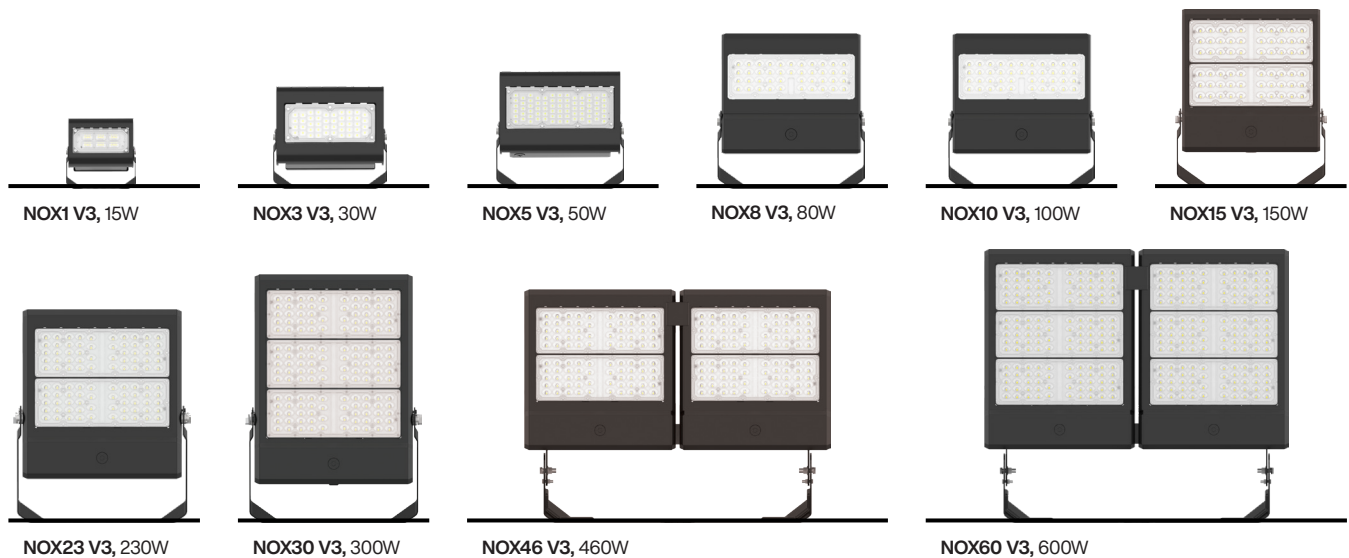
Product information

The legend of the NOX floodlights has now reached its 3rd version offering you higher efficacy and new models (80W, 460W and 600W). The NOX range is now available with new modules which screw directly into the NOX offering the addition of a microwave sensor or PE cell. The NOX V3 range also offers new quick fit brackets including adjustable spigot mount, pole adaptor plus TYPE3/4/5 lens options which adjust the beam, making the NOX V3 range suitable for almost any installation.

Perfect for use with NOXBOX™
Fast and Easy Wiring



OUR FULL RANGE Available in Warm White and White Models



ACCESSORIES

	Product	Compatible Models
ML-NOXBOX-130	Quick install, IP rated junction box.	All Models
ML-NOXV3-T3-10	Type 3 lens	NOX10
ML-NOXV3-T3-15	Type 3 lens	NOX15
ML-NOXV3-T3-23-60	Type 3 lens	NOX23, NOX30, NOX46, NOX60
ML-NOXV3-T4-10	Type 4 lens	NOX10
ML-NOXV3-T4-15	Type 4 lens	NOX15
ML-NOXV3-T4-23-60	Type 4 lens	NOX23, NOX30, NOX46, NOX60
ML-NOXV3-T5-10	Type 5 lens	NOX10
ML-NOXV3-T5-15	Type 5 lens	NOX15
ML-NOXV3-T5-23-60	Type 5 lens	NOX23, NOX30, NOX46, NOX60
ML-NOX3BKT	Pole bracket	NOX3
ML-NOX5BKT	Pole bracket	NOX5
ML-NOXSPBK	Right angle adapter	NOX3, NOX5
ML-NOXSP	Straight pole spigot adapter	NOX3, NOX5
ML-NOXV3-SPG	Adjustable spigot bracket	NOX8, NOX10, NOX15, NOX23, NOX30
ML-NOXV3-MA	Pole bracket	NOX8, NOX10, NOX15, NOX23, NOX30
ML-HB-MSC-1	Microwave sensor with remote	NOX8, NOX10, NOX15, NOX23, NOX30
ML-PEC-1	PE Cell	NOX8, NOX10, NOX15, NOX23, NOX30, NOX46, NOX60

TECHNICAL INFORMATION

	ML-NOX1-V3-WW ML-NOX1-V3-W	ML-NOX3-V3-WW ML-NOX3-V3-W	ML-NOX5-V3-WW ML-NOX5-V3-W	ML-NOX8-V3-WW ML-NOX8-V3-W	ML-NOX10-V3-WW ML-NOX10-V3-W
Total Power:	15W	30W	50W	80W	100W
Lumen Output:	WW 1675lm W 1765lm	WW 3837lm W 3981lm	WW 6575lm W 6625lm	WW 10347lm W 10513lm	WW 13604lm W 14226lm
Colour Temp:	WW 3000K W 5700K	WW 3000K W 5700K	WW 3000K W 5700K	WW 3000K W 5700K	WW 3000K W 5300K
IP Rating:	IP65	IP65	IP65	IP65	IP65
Impact Rating:	IK10	IK10	IK10	IK10	IK10
Efficacy:	WW 113lm/W W 120lm/W	WW 126lm/W W 128lm/W	WW 131lm/W W 134lm/W	WW 132lm/W W 134lm/W	WW 144lm/W W 149lm/W
CRI:	70+	70+	70+	70+	70+
Beam Angle:	120° × 90	120° × 90	120° × 90	120° × 90	120° × 90
Temp Range:	-40° to +40°	-40° to +40°	-40° to +40°	-40° to +40°	-40° to +40°
Dimmable:	No	No	No	Yes (0-10V)	Yes (0-10V)
Power Supply:	100 - 277V AC Integrated Driver	100 - 277V AC Integrated Driver	100 - 277V AC Integrated Driver	100 - 240V AC Integrated Driver	100 - 240V AC Integrated Driver
Average Life:	50,000 hrs**	50,000 hrs**	50,000 hrs**	50,000 hrs**	50,000 hrs**
Dimensions: W × H × D:	128mm × 148mm × 45mm	190mm × 216mm × 50mm	238mm × 247mm × 52mm	307mm × 327mm × 85mm	307mm × 327mm × 85mm
Weight:	0.6kg	1.2kg	1.6kg	2.8kg	2.8kg
Construction:	ADC12 Aluminum heat sink with Akzo Nobel powder coating & PC lens	ADC12 Aluminum heat sink with Akzo Nobel powder coating & PC lens	ADC12 Aluminum heat sink with Akzo Nobel powder coating & PC lens	ADC12 Aluminum heat sink with Akzo Nobel powder coating & PC lens	ADC12 Aluminum heat sink with Akzo Nobel powder coating & PC lens
Kit Includes:	1 × LED Floodlight 1 × 1m Pre - Stripped Flex 1 × User Manual	1 × LED Floodlight 1 × 1m Pre - Stripped Flex 1 × User Manual	1 × LED Floodlight 1 × 1m Pre - Stripped Flex 1 × User Manual	1 × LED Floodlight 1 × 1m Pre - Stripped Flex 1 × User Manual	1 × LED Floodlight 1 × 1m Pre - Stripped Flex 1 × User Manual

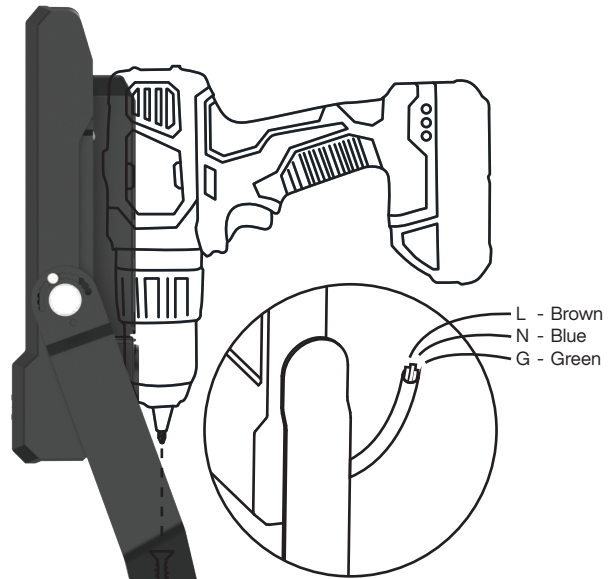
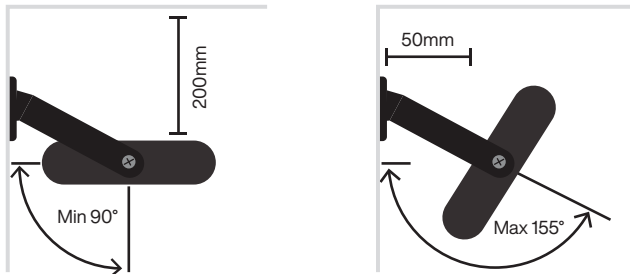
	ML-NOX15-V3-WW ML-NOX15-V3-W	ML-NOX23-V3-WW ML-NOX23-V3-W	ML-NOX30-V3-WW ML-NOX30-V3-W	ML-NOX46-V3-WW ML-NOX46-V3-W	ML-NOX60-V3-WW ML-NOX60-V3-W
Total Power:	150W	230W	300W	460W	600W
Lumen Output:	WW 20697lm W 22003lm	WW 31987lm W 33695lm	WW 42808lm W 44637lm	WW 63790lm W 66340lm	WW 86251lm W 89945lm
Colour Temp:	WW 3000K W 5300K	WW 3000K W 5300K	WW 3000K W 5300K	WW 3000K W 5300K	WW 3000K W 5300K
IP Rating:	IP65	IP65	IP65	IP65	IP65
Impact Rating:	IK10	IK10	IK10	IK10	IK10
Efficacy:	WW 148lm/W W 156lm/W	WW 149lm/W W 152lm/W	WW 149lm/W W 158lm/W	WW 144lm/W W 151lm/W	WW 148lm/W W 154lm/W
CRI:	70+	70+	70+	70+	70+
Beam Angle:	120° × 90	120° × 90	120° × 90	120° × 90	120° × 90
Temp Range:	-40° to +40°	-40° to +40°	-40° to +40°	-40° to +40°	-40° to +40°
Dimmable:	Yes (0-10V)	Yes (0-10V)	Yes (0-10V)	Yes (0-10V)	Yes (0-10V)
Power Supply:	100 - 240V AC Integrated Driver	100 - 240V AC Integrated Driver	100 - 240V AC Integrated Driver	100 - 240V AC Integrated Driver	100 - 240V AC Integrated Driver
Average Life:	50,000 hrs**	50,000 hrs**	50,000 hrs**	50,000 hrs**	50,000 hrs**
Dimensions W × H × D:	307mm × 374mm × 90mm	357mm × 450mm × 94mm	357mm × 525mm × 116mm	647mm × 494mm × 127mm	647mm × 577mm × 124mm
Weight:	3.7kg	5.1kg	7.3kg	11.5kg	15.75kg
Construction:	ADC12 Aluminum heat sink with Akzo Nobel powder coating & PC lens	ADC12 Aluminum heat sink with Akzo Nobel powder coating & PC lens	ADC12 Aluminum heat sink with Akzo Nobel powder coating & PC lens	ADC12 Aluminum heat sink with Akzo Nobel powder coating & PC lens	ADC12 Aluminum heat sink with Akzo Nobel powder coating & PC lens
Kit Includes:	1 × LED Floodlight 1 × 1m Pre - Stripped Flex 1 × User Manual	1 × LED Floodlight 1 × 1m Pre - Stripped Flex 1 × User Manual	1 × LED Floodlight 1 × 1m Pre - Stripped Flex 1 × User Manual	1 × LED Floodlight 1 × 1m Pre - Stripped Flex 1 × User Manual	1 × LED Floodlight 1 × 1m Pre - Stripped Flex 1 × User Manual

*Total power consumed including driver

** Average life is calculated on expected average lifespan

INSTALLATION GUIDE

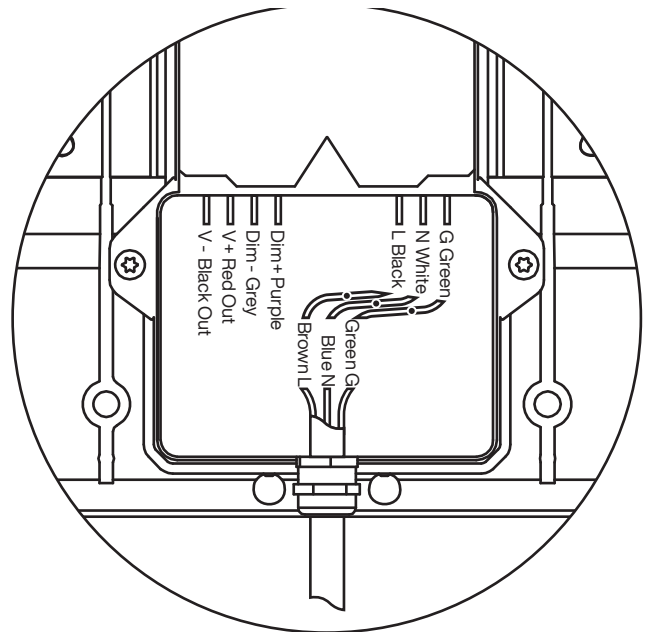
1. Do not remove any part of the fitting.
2. Install fitting using correct equipment and components (eg. Expansion bolts for masonry)
3. Connect wires using M-Elec's newest junction box Noxbox™ (to be purchased separately) or other suitable enclosure.



DIMMING CONNECTIONS

Please note: Do not connect anything other than a 0-10V dimmer or control system or the warranty will be void.

1. Open the back of the light fitting.
2. Safely locate the purple (+) and grey (-) 0-10V dimming cables. Connect to your 0-10V dimming system.
3. Ensure you use the suitable sealant/glands to keep the IP rating.
4. Refix the back plate and ensure all seals are secure. Water penetration from a failure to seal the fitting properly will not be covered under warranty.



PLEASE NOTE

- Read instructions carefully before attempting to install the fitting. Retain this guide for future reference
- Disconnect power before installing or servicing
- This fitting is for outdoor use and should not be used in areas with limited ventilation or high ambient temperatures
- Do not extend low voltage cables from the output of power supply
- All components must not be mechanically stressed
- Be careful not to damage or destroy conductive paths on the circuit board
- Follow all relevant electrical and safety standards (including AS3000)
- Correct electrical polarity must be observed as the wrong polarity may destroy the product and is not covered under warranty
- Damage by corrosion will not be honoured as a material defect claim. It is the user's responsibility to provide suitable protection against corrosive agents such as moisture, condensation and other harmful elements