



Miniature GP Relay 10A 2 C/O 12V DC Coil w/Pb+Led+Mi

- Lockable test button and mechanical flag indicator as standard on 2 and 4 pole types
- AC coils and DC coils
- Cadmium Free contacts (preferred version)
- 94 series sockets
- Coil EMC suppression
- Timer accessories 86 series

Representative Photo Only  
(actual product may vary based on configuration selections)

**SPECIFICATIONS**

Product Series	55
Component Type Timers and Control relays	Relay
Contact Configuration	2 CO
In, Rated Current	10 A
Icw, Short Time Withstand Current, 10ms (rms)	20 A, 10ms
Un, Nominal Operational Voltage, AC	250 V AC
Ue, Rated Operational Voltage, AC, max	400 V AC
Contact Breaking Capacity, DC1, 30V	10 A
Contact Breaking Capacity, DC1, 110V	0.25 A
Contact Breaking Capacity, DC1, 220V	0.12 A
Rated Load, AC-1	2500 VA
Rated Load, AC-15	500 VA
Contact Rated Power, Single Phase Motor, 230V AC	0.37 kW
Coil Type	DC
Additional Features	Double LED (DC non-polarized) Lockable test button
Coil Voltage, DC, Nom	12 V DC
Coil Voltage, DC, Min	9.6 V DC
Coil Voltage, DC, Max	13.2 V DC
Material, Contacts	Silver Nickel (AgNi) material
Mechanical Service Life	50000000 cycles
Electrical Service Life at Un, In	200000 cycles
Total Making Time	10 ms
Total Breaking Time	5 ms
Insulation Voltage, between Coil & Contacts	4000 V
Dielectric Strength, between open Contacts	1000 V AC
Mounting	Plug-in
Operating Temperature, Min	-40 °C min

# Catalogue No: **55.32.0074 12 V DC**

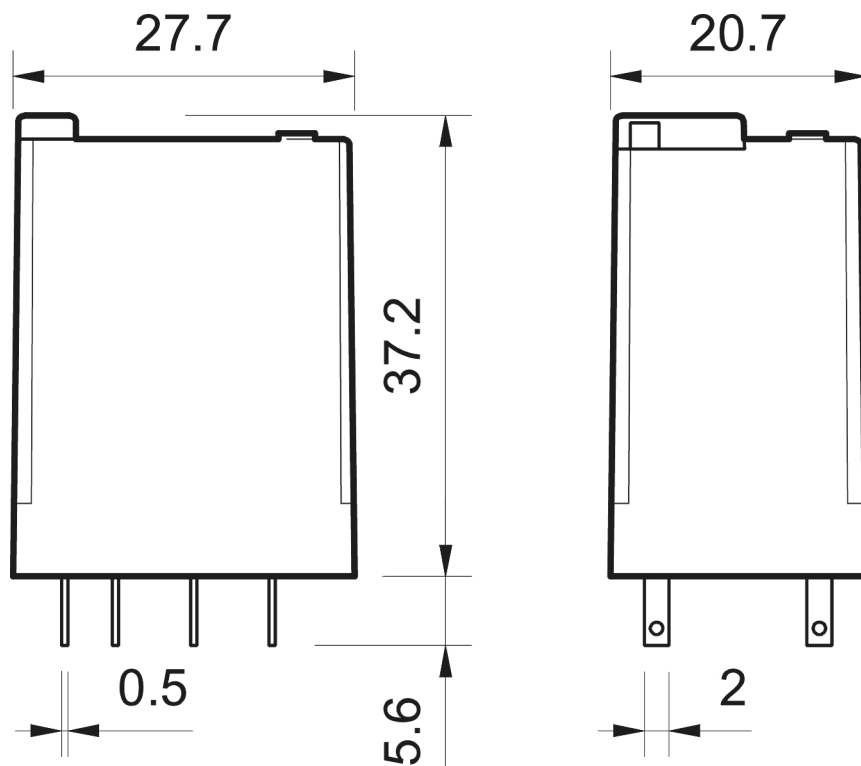
## MINIATURE GP RELAY 10A 2CO 12VDC COIL W/PB+LED+MI

Timers and Control Relays > General Purpose Relays > Electromechanical Relays > Finder Electromechanical Relays > General Purpose Industrial & Power Relays > 55 Series Mini General Purpose Relays



Operating Temperature, Max	85 °C max
Height	37.2 mm
Width	27.7 mm
Depth	20.7 mm
Shock Acceleration (Max.)	16 g
Shock Duration (Max.)	3 ms
Vibration Acceleration (Max.)	15 m/s <sup>2</sup>
Vibration Frequency, Operational (Max.)	55 Hz
Certifications	CE CCC CSA EAC GOST-R VDE C-UR-US
Shipping Approvals	Lloyd's Register of Shipping RINA (Registro Italiano Navale)

REFERENCES	
IECEX Certificate	-
Supplier Declaration of Conformity:	-
Installation Guide:	-
User Manual:	-
Manufacturer Datasheet:	-
Manufacturer Catalogue & Product Selection:	-

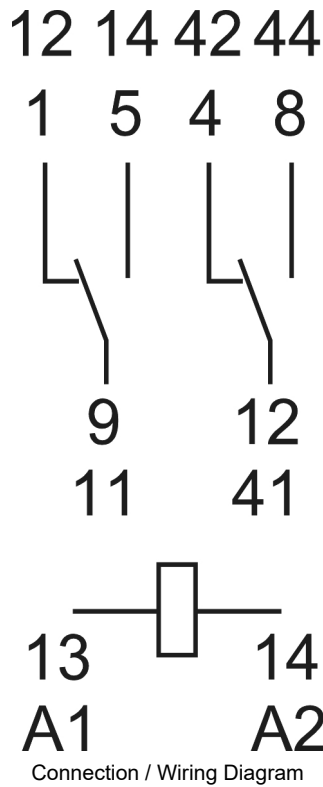


Dimension Diagram

Catalogue No: **55.32.0074 12 V DC**

**MINIATURE GP RELAY 10A 2CO 12VDC COIL W/PB+LED+MI**

Timers and Control Relays > General Purpose Relays > Electromechanical Relays > Finder Electromechanical Relays > General Purpose Industrial & Power Relays > 55 Series Mini General Purpose Relays



Technical Diagram