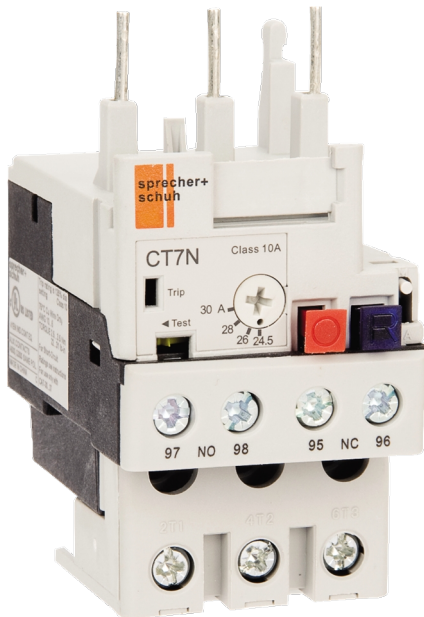


Catalogue No: CT7N-37-C20

OVERLOAD THERMAL 15-20A FOR CA7-30/37

Motor Control and Drives > Motor Starting and Protection > Motor Protection > Sprecher + Schuh Overloads > Thermal (Bi-Metallic) Overloads > CT7N Thermal Overloads



Representative Photo Only
(actual product may vary based on configuration selections)

Thermal Overload Relay, 15...20A, for use with CA7-30...37, Trip Class 10A, Auto/Manual Reset

- Consistent and reliable protection for peace of mind
- Differential release for phase loss sensitivity and protection of motors in phase loss conditions
- Ambient temperature compensation from -20°C to +60°C for consistent performance

SPECIFICATIONS

| | |
|---|--------------------|
| Component Type Motor Control and Drives | Thermal Overload |
| Adjustment | 1.5 : 1 |
| Current Range (A) | 15...20 |
| Details, Contactor | CA7-30...37 |
| Trip Class | 10A |
| Reset | Automatic / Manual |
| Contact Configuration | 1 NO + 1 NC |
| Test Function | Yes |
| Visible Trip Indicator | Yes |
| Motor FLC, Max | 20 A, max |
| Motor FLC, Min | 15 A, min |
| Rated Operation Voltage | 690 V AC |

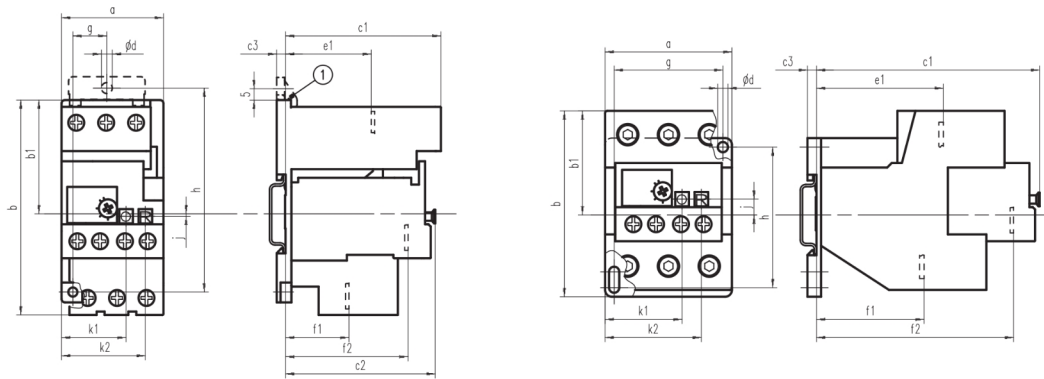
REFERENCES

| | |
|---|---|
| IECEX Certificate | - |
| Supplier Declaration of Conformity: | - |
| Installation Guide: | - |
| User Manual: | - |
| Manufacturer Datasheet: | - |
| Manufacturer Catalogue & Product Selection: | - |

Catalogue No: CT7N-37-C20

OVERLOAD THERMAL 15-20A FOR CA7-30/37

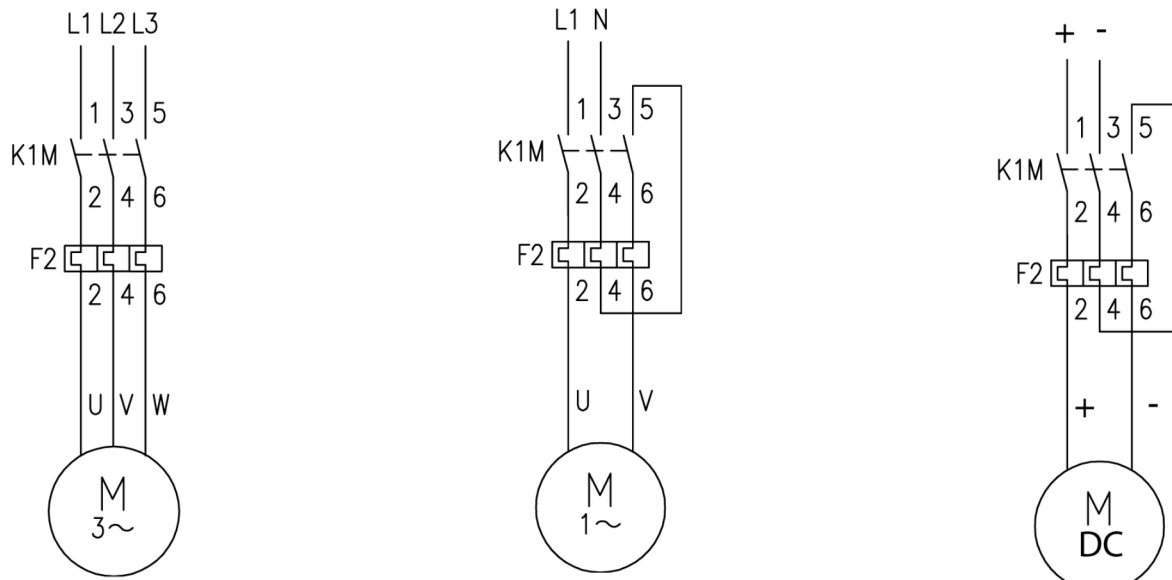
Motor Control and Drives > Motor Starting and Protection > Motor Protection > Sprecher + Schuh Overloads > Thermal (Bi-Metallic) Overloads > CT7N Thermal Overloads



| Overload + DIN Rail/ Panel Mounting Adapter | a | b | b1 | c1 | c2 | c3 | ød | e1 | f1 | f2 | g | h | k1 | k2 |
|--|----|------|----|------|----|----|-----|----|------|----|----|----|------|------|
| CT7N-23-A16...C25 + CT7N-37-P-A CT7N-37-C20...C25 + CT7N-37-P-A | 45 | 89.5 | 50 | 68.5 | 66 | 4 | 4.5 | 38 | 26 | 54 | 15 | 90 | 29 | 37.5 |
| CT7N-37-C30...C38 + CT7N-37-P-A | 45 | 91.5 | 50 | 68.5 | 66 | 4 | 4.5 | 38 | 28 | 54 | 15 | 90 | 29 | 37.5 |
| CT7N-85-C47P...C90P + | 56 | 82 | 46 | 99.5 | ~ | 4 | 4.5 | 56 | 47.5 | 87 | ~ | 60 | 41.5 | 50 |

Dimension Diagram

Connection Diagrams



Connection / Wiring Diagram