

# Catalogue No: **CT7N-37-P-A**

## SEPARATE MOUNT BRACKET FOR CT7N-23/37

Motor Control and Drives > Motor Starting and Protection > Motor Protection > Sprecher + Schuh Overloads > Thermal (Bi-Metallic) Overloads > CT8 and CT7N Accessories



Representative Photo Only  
(actual product may vary based on configuration selections)

### DIN Rail / Separate Mount Adaptor to suit CT7N-23...37

- Choice of overload type to suit your application requirements
- Compact dimensions saves panel space

#### SPECIFICATIONS

Product Series	CT8/CT7
Component Type Motor Control and Drives	Accessory
Rated Operation Voltage	690 V AC

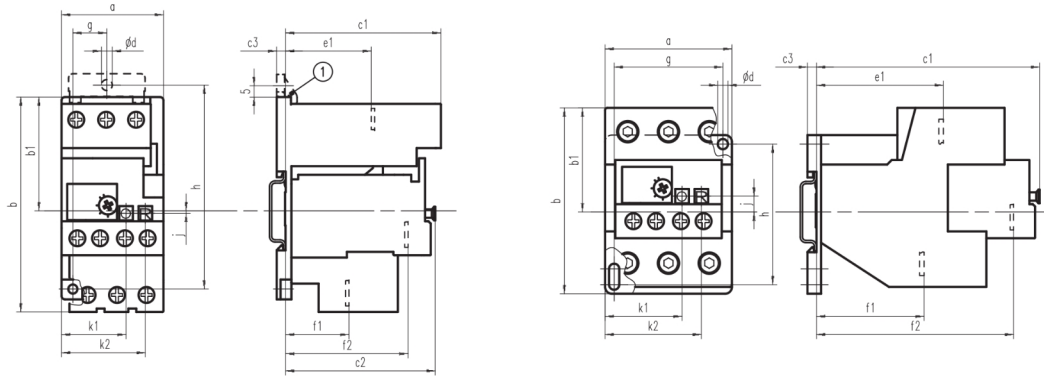
#### REFERENCES

IECEX Certificate	-
Supplier Declaration of Conformity:	-
Installation Guide:	-
User Manual:	-
Manufacturer Datasheet:	-
Manufacturer Catalogue & Product Selection:	-

# Catalogue No: CT7N-37-P-A

## SEPARATE MOUNT BRACKET FOR CT7N-23/37

Motor Control and Drives > Motor Starting and Protection > Motor Protection > Sprecher + Schuh Overloads > Thermal (Bi-Metallic) Overloads > CT8 and CT7N Accessories



Overload + DIN Rail/ Panel Mounting Adapter	a	b	b1	c1	c2	c3	ød	e1	f1	f2	g	h	k1	k2
CT7N-23-A16...C25 + CT7N-37-P-A CT7N-37-C20...C25 + CT7N-37-P-A	45	89.5	50	68.5	66	4	4.5	38	26	54	15	90	29	37.5
CT7N-37-C30...C38 + CT7N-37-P-A	45	91.5	50	68.5	66	4	4.5	38	28	54	15	90	29	37.5
CT7N-85-C47P...C90P +	56	82	46	99.5	~	4	4.5	56	47.5	87	~	60	41.5	50

Dimension Diagram