

# Catalogue No: **ISO 3160PY**

## ISO ENCLOSED SWITCH 3P 160A GREY POLY YEL/RED HANDLE

Power Distribution and Protection > Isolators and Transfer Switches > Enclosed Isolating Switches > Katko ISO Enclosed Load Break Switches > Polycarbonate Enclosed ISO Switches > 3P Polycarbonate ISO Switch



Representative Photo Only  
(actual product may vary based on configuration selections)

### ISO Switch 160A, 3P Yellow color Polycarbonate enclosure with Red handle

- IP65 / IP66 rating combined with selection of polycarbonate, aluminium and stainless steel, has any environment, indoor or outdoor, covered
- Easy to install and operate
- Choice of larger enclosures for increased wiring space
- Door interlock when switch is in ON position preventing the unauthorized removal of the enclosure cover for added safety
- Dedicated ISO TUFF series for arduous industry with 316 stainless steel enclosure and handle with flat roof and sloped roof options to keep accumulation of dirt and other contaminants off the switch
- LK10 and LK11 handles used on the ISO series are padlockable for added security
- Snap-on accessories – couldn't be any easier or quicker to install

#### SPECIFICATIONS

Product Series	KEM
Component Type Power Distribution & Protection	Enclosed Isolating Switch
Number of Poles	3
In, Rated Current	160 A
Enclosure Type	U4 type
Ue, Rated Operational Voltage, AC, min	400 V AC
Ue, Rated Operational Voltage, AC, max	690 V AC
Ui, Rated Insulation Voltage	690 V (rms)
Uimp, Impulse Withstand Voltage	8 kV
Rated Frequency	50 / 60 Hz
Ie, Rated Operational Current, AC-21a, 400V	160 A@400V
Ie, Rated Operational Current, AC-21a, 415V	160 A@415V
Ie, Rated Operational Current, AC-21a, 500V	160 A@500V
Ie, Rated Operational Current, AC-21a, 690V	160 A@690V
Ie, Rated Operational Current, AC-22a, 400V	125 A@400V
Ie, Rated Operational Current, AC-22a, 415V	125 A@415V
Ie, Rated Operational Current, AC-22a, 600V	125 A@600V
Ie, Rated Operational Current, AC-22a, 500V	125 A@500V
Ie, Rated Operational Current, AC-23a, 400V	100 A@400V
Ie, Rated Operational Current, AC-23a, 415V	100 A@415V
Ie, Rated Operational Current, AC-23a, 500V	80 A@500V
Ie, Rated Operational Current, AC-23a, 690V	80 A@690V
kW Rating, AC-23a, 230V, 1ph	30 kW
kW Rating, AC-23a, 400V, 3ph	55 kW @400V
kW Rating, AC-23a, 415V, 3ph	55 kW @415V
kW Rating, AC-23a, 500V, 3ph	55 kW @500V, 3ph
kW Rating, AC-23a, 690V, 3ph	55 kW @690V
Ith, Thermal Current	160 A

# Catalogue No: **ISO 3160PY**

## ISO ENCLOSED SWITCH 3P 160A GREY POLY YEL/RED HANDLE

Power Distribution and Protection > Isolators and Transfer Switches > Enclosed Isolating Switches > Katko ISO Enclosed Load Break Switches > Polycarbonate Enclosed ISO Switches > 3P Polycarbonate ISO Switch



Current, Short Circuit Withstand With Backup Fuse, Peak	15 kA
Current, Short Circuit Withstand With Backup Fuse, RMS	50 kA
Icw, short time withstand current, 1s, 690V (rms)	3.5 kA for 1s
Icm, Rated Short-Circuit Making Capacity, 400V AC (Peak)	13.7 kA
Icn, Rated Short-Circuit Capacity AC-23a, 415V	800 A @415V
Icn, Rated Short-Circuit Capacity AC 23a, 500V	640 A
Icn, Rated Short-Circuit Capacity AC-23a, 690V	640 A @690V
Padlockable	Yes
IP Rating	IP66
Material, Body / Housing	PC (Polycarbonate) material
Colour, Handle	Red colour
Wire / Conductor Size, Flex Cable, Min	6 mm <sup>2</sup> min
Wire / Conductor Size, Flex Cable, Max	70 mm <sup>2</sup> max
Electrical Service Life at Un, In	2000 cycles
Mechanical Service Life	16000 cycles
Tightening Torque, Max	6 Nm
Operating Temperature, Min	-40 °C min
Operating Temperature, Max	80 °C max
Height	255 mm
Width	180 mm
Depth	139 mm
Weight	1 kg
Standards Compliance	IEC 60947-3 UL 60947-4-1A UL 512 ISO 9001 ISO 14001 IEC 60947 IEC 60269-2 IEC 60364-4-44
Certifications	CCC CE C-UL-US RoHS KEMA IECEX CB

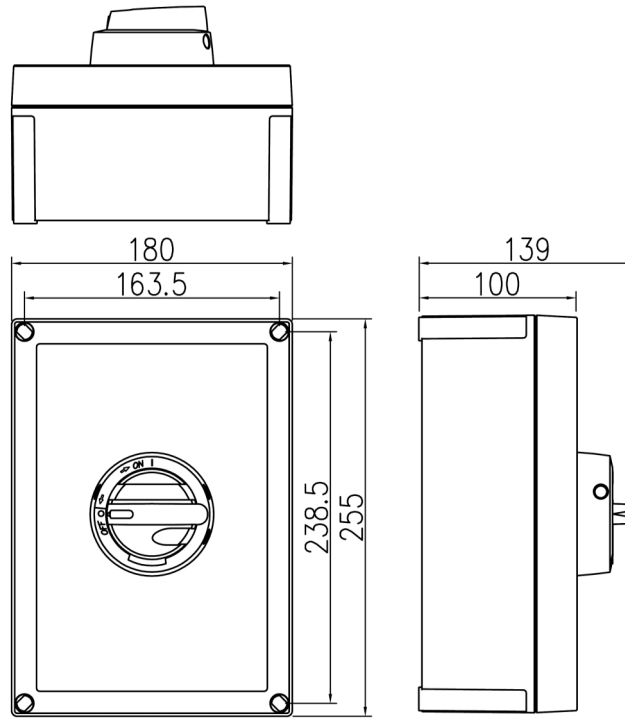
### REFERENCES

IECEX Certificate	-
Supplier Declaration of Conformity:	-
Installation Guide:	-
User Manual:	-
Manufacturer Datasheet:	<a href="#">ISO3160PY_Manufacturer Datasheet</a>
Manufacturer Catalogue & Product Selection:	<a href="#">ISO3160PY_Manufacturer Catalogue</a>

Catalogue No: **ISO 3160PY**

**ISO ENCLOSED SWITCH 3P 160A GREY POLY YEL/RED HANDLE**

Power Distribution and Protection > Isolators and Transfer Switches > Enclosed Isolating Switches > Katko ISO Enclosed Load Break Switches > Polycarbonate Enclosed ISO Switches > 3P Polycarbonate ISO Switch



Dimension Diagram