



INDUSTRIAL

HAZARDOUS
AREAS

DATA ICT

RESIDENTIAL
COMMERCIAL



B&R Enclosures
BOWEN SERIES

brenclosures.com.au

Bowen Series

Mining and Industrial Enclosures



- Designed to house terminations, pushbuttons, isolators or switchgear in industrial or demanding environments such as washeries, processing and sampling stations.
- Is well suited to applications that require front and side mounted switching devices.
- 40° sloping roof and 40mm roof overhang reduces material build-up.
- Internal door rails fitted to ensure mounting flexibility.
- Lifting lugs conform to AS4991: Lifting Devices.
- One (1) tonne SWL on each lifting lug.
- Conformity, Approvals:
Lloyds Register #06/10007 (E2)
- Manufactured from 1.5 to 2.0mm thick 316 stainless steel.
- N4 surface finish.

Comes standard with:

- Steel mounting pan powdercoated white
- Top and bottom mounting flanges
- Internal 6mm earth stud
- Lock dust cover with stainless steel lock with 8mm square slotted stainless steel insert
- Lifting lugs on 800mm & 1200mm high enclosures



ORDERING GUIDE

Dimensions (mm)

Part Number	External				Internal	Mounting Pan		Gland Opening		Mounting Centres		Material Thk.		Weight (kg)
	Height (A)	Width (B)	Depth (C)	Total Height (D)	Usable Depth* (H)	Height (I)	Width (J)	Width (K)	Depth (L)	Height (M)	Width (N)	Body	Door	
BL040320/S	400	300	200	709	179	345	210	200	105	676	200	1.5	1.5	14.0
BL040420/S	400	400	200	709	150	345	310	300	105	676	300	1.5	1.5	18.0
BL060420/S	600	400	200	909	150	545	310	300	105	876	300	1.5	1.5	21.0
BL060630/S	600	600	300	993	250	545	510	500	205	960	500	1.5	1.5	33.0
BL080630/S	800	600	300	1193	250	745	510	500	205	1160	500	1.5	1.5	60.0
BL120830/S	1200	800	300	1593	250	1145	710	700	205	1560	700	1.5	1.5	90.0
BM040320/S [▲]	400	300	200	709	179	345	210	200	105	676	200	1.5	2.0	15.0
BM040420/S [▲]	400	400	200	709	150	345	310	300	105	676	300	1.5	2.0	19.0
BM060420/S [▲]	600	400	200	909	150	545	310	300	105	876	300	1.5	2.0	24.0
BM060630/S [▲]	600	600	300	993	250	545	510	500	205	960	500	1.5	2.0	36.0
BM080630/S [▲]	800	600	300	1193	250	745	510	500	205	1160	500	1.5	2.0	65.0
BM120830/S [▲]	1200	800	300	1593	250	1145	710	700	205	1560	700	1.5	2.0	95.0
BW040320/S [▲]	400	300	200	710	179	345	210	200	105	676	200	2.0	2.0	17.0
BW040420/S	400	400	200	709	150	345	310	300	105	676	300	2.0	2.0	21.0
BW060420/S [▲]	600	400	200	909	150	545	310	300	105	876	300	2.0	2.0	28.0
BW060630/S [▲]	600	600	300	993	250	545	510	500	205	960	500	2.0	2.0	38.0
BW080630/S	800	600	300	1193	250	745	510	500	205	1160	500	2.0	2.0	70.0
BW120830/S	1200	800	300	1593	250	1145	710	700	205	1560	700	2.0	2.0	100.0

* Mounting pan to inside of door
[▲] Available on request



See Page 4 for a range of lock options available for the Bowen range.

Mining and Industrial Enclosures

ACCESSORIES

Product	Part Number	Dimensions (mm)			BL040320/S	BL040420/S	BL060420/S	BL060630/S	BL080630/S	BL120830/S	BM040320/S	BM040420/S	BM060420/S	BM060630/S	BM080630/S	BM120830/S	BW040320/S	BW040420/S	BW060420/S	BW060630/S	BW080630/S	BW120830/S
		Height	Width	Depth																		
Hinged escutcheon – 2mm zinc coated steel (white)	BWHE040420	300	312	200		•						•										
	BWHE060420	500	312	200			•						•									
	BWHE060630	500	507	300				•						•								
	BWHE080630	700	507	300					•						•							
	BWHE120830	1100	710	300						•						•						•
Light kit brackets [▲]	BWLKB04 [▲]	–	–	–		•	•					•	•						•	•		
	BWLKB06 [▲]	–	–	–				•	•					•	•						•	•
	BWLKB08 [▲]	–	–	–						•						•						•
LED Light [*]	BRLED300	–	300	–		•	•					•	•						•	•		
	BRLED300/24	–	300	–		•	•					•	•						•	•		
	BRLED500	–	500	–				•	•	•				•	•	•					•	•
	BRLED500/24	–	500	–				•	•	•				•	•	•					•	•

* Requires light kit bracket to suit enclosure size

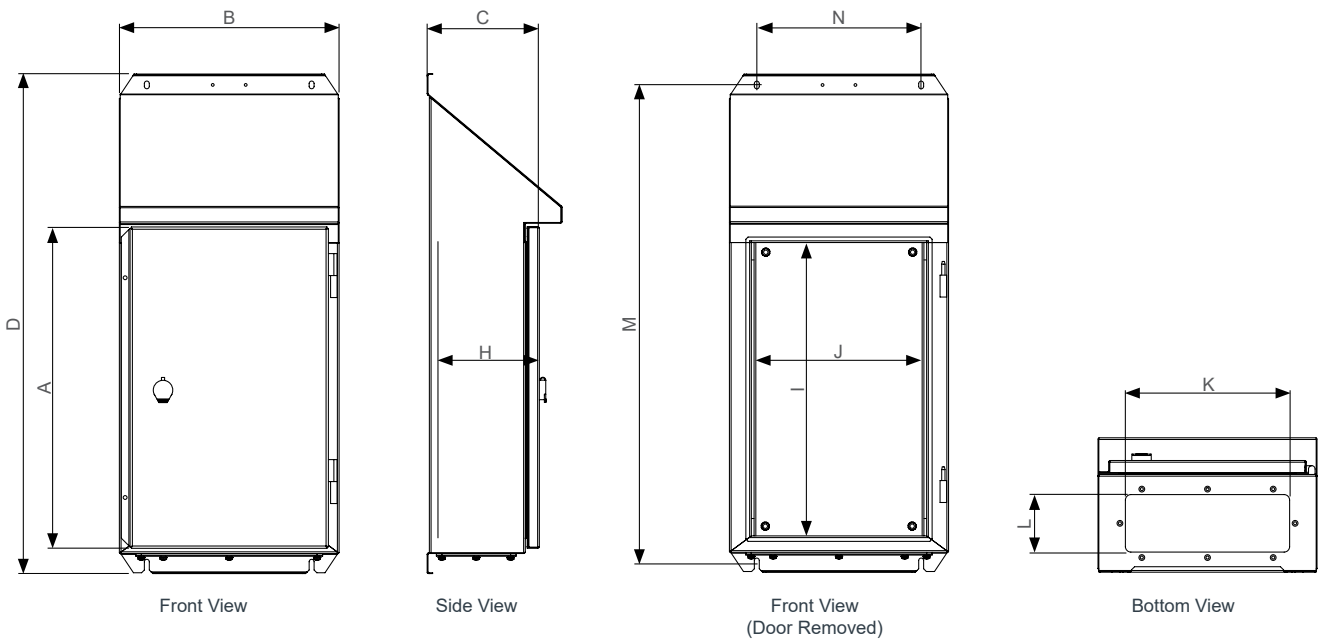
[▲] Light not included, purchased separately

[▲] Available on request



See Page 3 for more information about B&R's range of lighting solutions or contact your local sales representative to discuss your requirements.

TECHNICAL DRAWINGS



Enclosure LED Lighting



High output, small form factor LED lighting. Up to 4 units can be daisy chained from the one power supply. Allows for the opening of full height swing frames or hinged escutcheons when fitted to the roof. The optional PIR movement sensor can be used for power efficiency as an automatic door switch. All light kits can be mounted directly onto 19" rack rails. In the absence of 19" rack rails a mounting kit is available to suit the enclosure size.

B&R's LED lighting solutions are applied to provide excess light within an enclosure and becomes a continuous light source to provide extra visibility.

- Energy saving up to 50% compared with traditional fluorescents under the same lux.
- Life span – over 50,000 hours
- Available in cool white, neutral white and warm white colour temperatures.
- Available in 12V and 24V options.
- Easy linking up to 36 watts per run.
- Easy to install.
- Low voltage — safe and efficient.
- Manufactured from aluminium with black plastic end caps and acrylic lens.
- Light source – SM3528 LED
- Operating temperature – -20°C to 40°C indoors



This information is provided as a guide only. Contact your local sales representative to discuss your requirements.

Technical Operating Data

Length (mm)	Voltage (DC)	Power (W)	Radiance	Colour Temp	Luminous Flux (lm)*	LED Current (A)
300	12/24	3	90°	4400	280/360	0.18
500	12/24	5	90°	4400	460/600	0.18



Bowen Series

Part Number	Power (V)	LED Light	Inclusions				Required Mounting Bracket			To suit enclosure	
			Power Supply	Splitter	Switch	Connectors	BWLKB04	BWLKB06	BWLKB08	Width (mm)	Optional
BRLED300	12	•	•		•	•			400	BRMOT PIR Motion Sensor	
BRLED300/24	24	•	•		•	•			400		
BRLED500	12	•	•				•	•	600 or 800		
BRLED500/24	24	•	•				•	•	600 or 800		
BRLEDK03	–	•		•		•			400		
BRLEDK05	–	•		•			•	•	600 or 800mm		

Locks

Locks to suit special purpose enclosures

Standard Locks

Enclosure		
Universal DD ≤1600mm	DD020 – chromed steel with 7mm square steel insert	DD020/PS – black powdercoated lock with 7mm square stainless steel insert
Universal DD +1600mm	DD050 – lockable L handle keyed 92268	DD050 – lockable L handle keyed 92268
Incline SR	–	NI020/S – stainless steel lock with 7mm square stainless steel insert
Hedland PH	–	NI020/S – stainless steel lock with 7mm square stainless steel insert
Finucane FI	–	NI020/S – stainless steel lock with 7mm square stainless steel insert
Bowen Series	–	NI028S/S – stainless steel lock with 8mm square slotted stainless steel insert
Pilbara SP	SP/LCK – chromed steel padlockable swing handle with LockSock®	SP/LCK/S – stainless steel padlockable swing handle with LockSock®
Lambert LB	–	SP/LCK/S – stainless steel padlockable swing handle with LockSock®
Miner ME	NI020 – chromed steel with 7mm square steel insert	–
Universal PB	NI020 – chromed steel with 7mm square steel insert	NI020/PS – black powdercoated lock with 7mm square stainless steel insert

Lock Options for Special Purpose Enclosures

There are a number of lock options available that are suitable for use on special purpose enclosures. Contact your local sales representative to discuss your requirements.

Product	Description	Part Number	Standard Lock/Insert	Alternative insert	Keys	
					Lockable handles	Zinc, 4-way
Turnbuckle	chromed steel	NI020	7mm square – steel	See page 6		SKZ
		DD020	7mm square – steel	See page 6		SKZ
	powdercoated	NI020/PS	7mm square – stainless steel	See page 6		SKZ
		DD020/PS	7mm square – stainless steel	See page 6		SKZ
	stainless steel	NI020/S	7mm square – stainless steel	See page 6		SKZ
		NI028S/S	8mm square slotted – stainless steel	See page 6		
Wing knob	lockable	NI030	Key code 92268			SK3
		DD030	Key code 92268			SK3
	non-lockable	NI111	–			
		DD111	–			
T-handle	lockable	NI040	Key code 92268			SK3
		DD040	Key code 92268			SK3
L-handle	lockable	NI050	Key code 92268			SK3
		DD050	Key code 92268			SK3
	padlockable – steel	NI052	–			
		DD052	–			
	padlockable – stainless steel	NI052/S	–			
		DD052/S	–			
Swing handle	padlockable – steel	SP/LCK	–			
	padlockable – stainless steel	SP/LCK/S	–			
LockSock®	plastic	SP/LCK/DC	To suit SP/LCK			
Dust cap	plastic	NI020/DC	To suit NI020 lock			

Locks

Locks to suit special purpose enclosures



The NI020 locks are available with an option lock insert for use on all special purpose enclosures. Contact your local sales engineer to discuss your requirements.

To suit lock style	Description	To suit lock	Standard Insert	3mm double bit pin		8mm square		8mm square slotted	8mm triangle	
				Steel	Stainless Steel	Steel	Stainless Steel	Stainless Steel	Steel	Stainless Steel
Turnbuckle	chromed steel	NI020 or DD020	7mm square – steel	LKINS3P		LKINS8S		LKINS8SS/S		LKIN8T
	powdercoated with SS insert	NI020/PS or DD020/PS	7mm square – stainless steel		LKINS3P/S		LKINS8S/S	LKINS8SS/S		LKINS8T/S
	stainless steel	NI020/S or DD020/PS	7mm square – stainless steel		LKINS3P/S		LKINS8S/S	LKINS8SS/S		LKINS8T/S
Key required – zinc			SKZ	SKZ	SKZ	SK8	SK8	SK8	SKZ	SKZ

AUSTRALIA

Sales

T: 1300 Enclosures (1300 362 567)

E: sales@brenclosures.com.au

brenclosures.com.au

QUEENSLAND

Brisbane Manufacturing, Sales & Warehouse

51 Stradbroke Street

Heathwood QLD 4110

(PO Box 1151)

Browns Plains BC QLD 4118

T: +61 7 3714 1111

E: salesqld@brenclosures.com.au

NORTH QUEENSLAND

Townsville Sales & Warehouse

Unit 4/ 780 Ingham Road

Mount Louisa, QLD 4814

(PO Box 7615)

Garbutt QLD 4814

T: +61 7 4727 1900

E: salestvl@brenclosures.com.au

NEW SOUTH WALES

NSW & ACT Sales & Warehouse

7 Metters Place

Wetherill Park NSW 2164

T: +61 2 9915 9555

E: salesnsw@brenclosures.com.au

NEWCASTLE Distribution

Ross Joice Agencies Pty Ltd

109-111 Broadmeadow Road

Broadmeadow NSW 2292

T: +61 2 4961 4433

VICTORIA

VIC & TAS Sales & Warehouse

50-52 Sunmore Close

Heatherton VIC 3202

T: +61 3 9552 0552

E: salesvic@brenclosures.com.au

TASMANIA Distribution

W P Martin Pty Ltd

85 Elizabeth Street

Launceston TAS 7250

T: +61 3 6331 5545

SOUTH AUSTRALIA

SA & NT Manufacturing, Sales & Warehouse

505 Grand Junction Road

Wingfield SA 5013

T: +61 8 8417 6222

E: salessa@brenclosures.com.au

NORTHERN TERRITORY Distribution

Jewell Distributors Pty Ltd

Cnr Hidden Valley & Beaton Roads

Berrimah NT 0828

T: +61 8 8947 0870

WESTERN AUSTRALIA

WA Sales Office & Warehouse

6 Montgomery Way

Malaga WA 6090

T: +61 8 6310 4777

E: saleswa@brenclosures.com.au

NEW ZEALAND

Sales

B&R Enclosures Limited

T: 0800 Enclosures (0800 362 567)

E: sales@brenclosures.co.nz

brenclosures.co.nz

AUCKLAND Distribution

Matchmaster

Unit 6103 Cryers Road

East Tamaki Auckland NZ 2013

T: +64 9 265 2097

E: sales@brenclosures.co.nz

CHRISTCHURCH Distribution

Matchmaster

17 Washbournes Road

Wigram Christchurch NZ 8042

T: +64 3 348 0659

E: sales@brenclosures.co.nz