



INDUSTRIAL

HAZARDOUS
AREAS

DATA ICT

RESIDENTIAL
COMMERCIAL



B&R Enclosures
POLYNOVA PC

brenclosures.com.au

Polynova PC

Enclosure & Distribution System



- Suitable for housing terminations and electrical components for low voltage control systems and distribution.
- Excellent resistance to mechanical impact and aggressive chemicals.
- Raised mounting points prevent build up of materials behind enclosure body.
- Capable of withstanding temperatures -30°C to 120°C.
- Conformity, Approvals:
 - UL94, V1 rating
 - IEC695-2-1: 960° Glow Wire Test
- Manufactured from UV stabilised glass reinforced polyester (opaque lid) and polycarbonate (transparent lid).
- Light Grey RAL7035.

Comes standard with:

- Insulated mounting pan
- Thermoplastic screws



ORDERING GUIDE

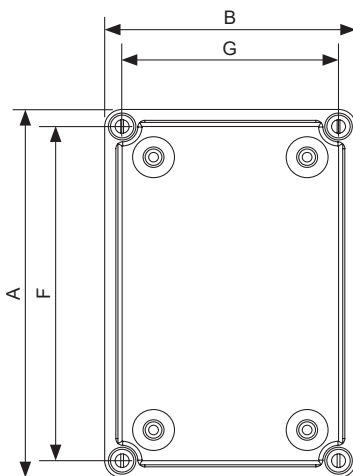
Part Number		Dimensions (mm)								Weight (kg)
		External				Internal		Mounting Centres		
Opaque	Transparent	Height (A)	Width (B)	Depth (C)	Cover Depth (D)	Usable Depth (E)	Height (F)	Width (G)		
PC131313*	PC131313T*	135	135	130	20	110	115	115	0.6	
PC181313*	PC181313T*	180	135	130	20	110	160	115	0.8	
PC181813*	PC181813T*	180	180	130	20	110	160	160	1.0	
PC271313*	PC271313T*	270	135	130	20	110	253	115	1.1	
PC271817	PC271817T	270	180	170	42	150	245	155	1.7	
PC272717	PC272717T	270	270	170	42	150	245	245	2.3	
PC361817	PC361817T	360	180	170	42	150	335	155	2.2	
PC362717	PC362717T	360	270	170	42	150	335	245	2.9	
PC363617	PC363617T	360	360	170	42	150	335	335	3.6	
PC542717	PC542717T	540	270	170	42	150	515	245	4.1	
PC543617	PC543617T	540	360	170	42	150	515	335	5.5	
PC545417	PC545417T	540	540	170	42	150	515	515	8.0	
PC362720	PC362720T	360	270	205	72	180	335	245	3.2	
PC363620	PC363620T	360	360	205	72	180	335	335	3.9	
PC542720	PC542720T	540	270	205	72	180	515	245	5.0	
PC543620	PC543620T	540	360	205	72	180	515	335	6.0	
PC545420	PC545420T	540	540	205	72	180	515	515	8.5	
PC723620	PC723620T	720	360	205	72	180	695	335	8.0	
PC725420	PC725420T	720	540	205	72	180	695	515	11.0	

* Opaque parts material is polyamide.

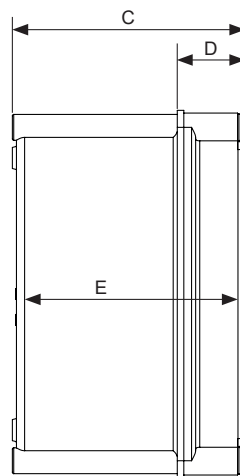
ACCESSORIES

Product	Description	Part Number	Dimensions (mm)			PC131313(T)	PC181313(T)	PC181813(T)	PC271313(T)	PC271817(T)	PC272717(T)	PC361817(T)	PC362717(T)	PC363617(T)	PC542717(T)	PC543617(T)	PC545417(T)	PC362720(T)	PC363620(T)	PC542720(T)	PC543620(T)	PC545420(T)	PC723620(T)	PC725420(T)	
			Height	Width	Depth																				
Mounting pan	Insulated	PCBB1813	142	97	3		•																		
		PCBB1818	142	142	3			•																	
		PCBB2718	220	130	3					•															
		PCBB2727	220	220	3						•														
		PCBB2736	220	310	3								•							•					
		PCBB3636	310	310	3									•							•				
		PCBB5427	490	220	3											•						•			
		PCBB5436	490	310	3												•						•		
		PCBB5454	490	490	3													•						•	
		PCBB7254	670	490	3																				•
Viewing window	Hinged	PCHW4	94	77	16	•	•	•	•	•	•	•	•	•	•	•	•	•	•	•	•	•	•	•	•
		PCHW4H	94	77	25	•	•	•	•	•	•	•	•	•	•	•	•	•	•	•	•	•	•	•	•
		PCHW6	130	77	16	•	•	•	•	•	•	•	•	•	•	•	•	•	•	•	•	•	•	•	•
		PCHW6H	130	77	25	•	•	•	•	•	•	•	•	•	•	•	•	•	•	•	•	•	•	•	•
		PCHW8	163	77	16	•	•	•	•	•	•	•	•	•	•	•	•	•	•	•	•	•	•	•	•
		PCHW8H	163	77	25	•	•	•	•	•	•	•	•	•	•	•	•	•	•	•	•	•	•	•	•
		PCHW10	200	77	16	•	•	•	•	•	•	•	•	•	•	•	•	•	•	•	•	•	•	•	•
		PCHW10H	200	77	25	•	•	•	•	•	•	•	•	•	•	•	•	•	•	•	•	•	•	•	•
		PCHW12H	233	77	25	•	•	•	•	•	•	•	•	•	•	•	•	•	•	•	•	•	•	•	•
		PCHW24	233	196	13	•	•	•	•	•	•	•	•	•	•	•	•	•	•	•	•	•	•	•	•
PCHW36	235	247	13	•	•	•	•	•	•	•	•	•	•	•	•	•	•	•	•	•	•	•	•		
Rigid hinge	Pair	PCEH	-	-	-	•	•	•	•	•	•	•	•	•	•	•	•	•	•	•	•	•	•		
Internal hinge	Each	PCIH	-	-	-	•	•	•	•	•	•	•	•	•	•	•	•	•	•	•	•	•	•		
Screws	Large, slotted	PCSD18	-	-	-	•	•	•	•	•	•	•	•	•	•	•	•	•	•	•	•	•	•		
Vent valve kit	Pair	PCVV	-	-	-	•	•	•	•	•	•	•	•	•	•	•	•	•	•	•	•	•	•		

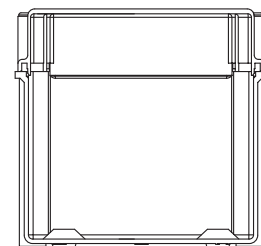
TECHNICAL DRAWINGS



Front View



Side View



Side Section with Internals

AUSTRALIA

Sales
T: 1300 Enclosures (1300 362 567)
F: 1300 796 599
E: sales@brenclosures.com.au
brenclosures.com.au

QUEENSLAND

Brisbane Manufacturing, Sales & Warehouse
51 Stradbroke Street
Heathwood QLD 4110
(PO Box 1151)
Browns Plains BC QLD 4118
T: +61 7 3714 1111
E: salesqld@brenclosures.com.au

NORTH QUEENSLAND

Townsville Sales & Warehouse
Unit 4 / 780 Ingham Road
Mount Louisa QLD 4814
(PO Box 7615)
Garbutt QLD 4814
T: +61 7 4727 1900
E: salestvl@brenclosures.com.au

NEW SOUTH WALES

NSW & ACT Sales & Warehouse
Unit 12/100 Belmore Road North
(PO Box 192)
Riverwood NSW 2210
T: +61 2 9915 9555
E: salesnsw@brenclosures.com.au

NEWCASTLE Distribution

109-111 Broadmeadow Road
Broadmeadow NSW 2292
T: +61 2 4961 4433
F: +61 2 4961 2498

VICTORIA

VIC & TAS Sales & Warehouse
50-52 Sunmore Close
Heatherston VIC 3202
T: +61 3 9552 0552
E: salesvic@brenclosures.com.au

TASMANIA Distribution

W P Martin Pty Ltd
85 Elizabeth Street
Launceston TAS 7250
T: +61 3 6331 5545
F: +61 3 6331 4256

SOUTH AUSTRALIA

SA & NT Manufacturing, Sales & Warehouse
505 Grand Junction Road
Wingfield SA 5013
T: +61 8 8417 6222
E: salessa@brenclosures.com.au

NORTHERN TERRITORY Distribution

Cnr Hidden Valley & Beaton Roads
Berrimah NT 0828
T: +61 8 8947 0870
F: +61 8 8947 0764

WESTERN AUSTRALIA

WA Sales Office & Warehouse
6 Montgomery Way
Malaga WA 6090
T: +61 8 6310 4777
E: saleswa@brenclosures.com.au

NEW ZEALAND

Sales
B&R Enclosures Limited
T: 0800 Enclosures (0800 362 567)
E: sales@brenclosures.co.nz
brenclosures.co.nz

AUCKLAND Distribution

Unit 6/103 Cryers Road
East Tamaki Auckland NZ 2013
T: +64 9 265 2097
F: +64 9 265 2437
E: sales@brenclosures.co.nz

CHRISTCHURCH Distribution

17 Washbournes Road
Wigram Christchurch NZ 8042
T: +64 3 348 0659
F: +64 3 348 4043
E: sales@brenclosures.co.nz

CHINA

Sales
B&R Enclosures (Suzhou) Co. Ltd
E: sales@brenclosures.com.cn
brenclosures.com.cn

SUZHOU

Suzhou Sales Office & Manufacturing
Building 45 Chuangtou Industrial Zone
SIP, Suzhou 215122
PEOPLE'S REPUBLIC OF CHINA
T: +86 512 8718 2139
F: +86 512 8718 2140
E: sales@brenclosures.com.cn

SOUTH EAST ASIA

Sales
B&R Enclosures SDN BHD
E: sales@brenclosures.com.au
brenclosures.com.au

MALAYSIA

Malaysia Sales Office & Manufacturing
No.38-1, Puchong Gateway Square,
Jalan Suria Puchong 4,
Pusat Perniagaan Suria Puchong
47110, Puchong, Selangor, Malaysia
T: +603 8958 3923 or +603 8959 3923
F: +603 8958 3223
E: sales@brenclosures.com.au

MIDDLE EAST

Sales
B&R Gulf
E: sales@brgulf.com.sa
brenclosures.com.sa

DAMMAM

Dammam Sales Office & Manufacturing
Factory No. 119, Modon Buildings
King Salman Road, Industrial Area 3
Dammam, Kingdom of Saudi Arabia
T +96 638 128 691 or +96 650 349 6592
E: sales@brgulf.com.sa