

# SMOKE ALARM R10

Photoelectric Smoke Alarm with 10 Year Lithium Battery & Test Button



## INSTALLATION INSTRUCTIONS

**PLEASE NOTE:** READ ALL INSTRUCTIONS BEFORE INSTALLATION. NO USER SERVICEABLE PARTS INSIDE THIS SMOKE ALARM.



### Specifications:

Main Power Source :	lithium 10 Year 3V Sealed-Battery
Sensing Type :	Type A Photoelectric smoke alarm - contains NO radioactive material
Sensitivity to smoke :	0.08-0.2db/m
Operation Current :	<20mA operation (In Alarm)
Temperature Range :	0 °C to 45 °C
Humidity Range :	5% to 95%
Type of Installation :	Indoor
Sound Level :	85 dB at three metres minimum
Alarm Condition :	Audible signal pattern (ISO 8201)
Visual Indicators :	Red LED for warning and low battery indication
Approval :	AS 3786:2014, UL S36341

### Features:

- DC operated photoelectric type smoke alarm
- Photoelectric sensor for slow smouldering fires
- Insect proof
- Test & Hush button
- Environmentally friendly non-radioactive technology
- High and stable sensitivity
- Quick fix mounting bracket for easy installation
- Fitting and battery tamper-resistant feature
- LED operation indicator
- Extra loud alarm sound over 85 dB
- Low-battery and battery missing warning indicators
- Auto reset when smoke clears

**IMPORTANT:** This manual contains important information about the installation and operation of your smoke alarm. Please read carefully before installation and keep for future reference. Please ensure that this leaflet remains in the household where the alarm is installed.

**WARNING:** This smoke alarm is designed to alert you to the presence of smoke, it cannot prevent a fire. There are hazards against which smoke alarms may not be effective such as smoking in bed, explosions, etc. The ultimate responsibility for fire protection rests with you. This responsibility includes escape planning, safety checks and an effective warning system. In case of fire, a well-placed, properly looked after smoke alarm may provide a few seconds so that you can escape and call the fire brigade.

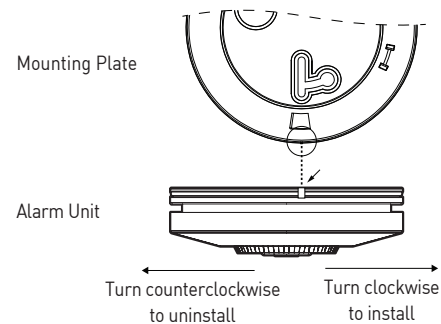
### IMPORTANT SAFETY INFORMATION

1. The battery must be operational to operate the alarm correctly. To test the battery press the test button on this smoke alarm.
2. The test button sufficiently tests all smoke alarm functions. DO NOT use any other test method.
3. DO NOT remove or disconnect alarm to silence unwanted sounding, this will remove your protection. Press hush button or open windows to ventilate the smoke alarm to silence it.
4. This smoke alarm is designed to be used inside a single unit dwelling only. In buildings with several dwellings/units, each individual living unit should have its own smoke alarms. DO NOT install in non-residential buildings.
5. Install a smoke alarm on every level of the home.
6. Smoke alarms can only sound their alarms when they detect smoke. Smoke alarms detect combustion particles in the air, they do not sense heat, flame or gas. This smoke alarm is designed to give an audible warning of a developing fire; however, many fires are fast burning, explosive or intentional. Others are caused by carelessness or safety hazards. Smoke may not reach the smoke alarm quickly enough to ensure safe escape.
7. Smoke alarms have limitations. This smoke alarm is not foolproof and is not warranted to protect lives or property from fire. Smoke alarms are not a substitute for insurance. Homeowners and renters should insure their lives and property. In addition, it is possible for the smoke alarm to fail at any time. For this reason, you must test the smoke alarm weekly and replace every 10 years.

### Installation of Smoke Alarms:

1. From back of the smoke alarm, remove the mounting plate by turning it counterclockwise.
2. Secure the mounting plate to ceiling or wall with mounting screws according to "Locating and Positioning".
3. Position smoke alarm to mounting plate and turn clockwise to turn on the smoke alarm and lock it into place.
4. Push test button to test smoke alarm.

**WARNING:** Incorrect orientation will result in a decrease in operational effectiveness.



### Locating and Positioning of Smoke Alarms:

This smoke alarm is a single station photoelectric alarm and is not able to be connected to other smoke alarms.

If your dwelling is on a single storey, for minimum protection you should fit an alarm in the hallway between the living areas (incl. Kitchens) and sleeping areas. Place it as near to the living areas as possible and ensure the alarm is audible when the bedrooms are occupied.

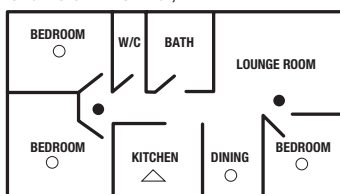
If your dwelling is multi-storey, for minimum protection one alarm should be fitted at the bottom of the staircase with further alarms fitted on each upstairs landing. This includes basements but excludes crawl spaces and unfinished attics.

**NOTE:** For maximum protection an alarm should be fitted in every room (except kitchen, bathroom and garage).

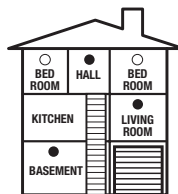
**DO NOT FIT AN ALARM IN THE KITCHEN or BATHROOM, as cooking fumes or steam may trigger the alarm.**

**DO NOT FIT ALARM IN A GARAGE, as exhaust fumes are likely to set it off.**

#### SINGLE-STOREY RESIDENCE, APARTMENT



#### MULTI-STOREY RESIDENCE



- Smoke alarms for minimum protection. △ Smoke alarms with hush features recommended for additional protection  
○ Smoke alarms for additional protection.

### Ceiling Mounting

As hot smoke rises and spread out, it is advisable to mount on a ceiling in a central position. Avoid areas where there is no air circulation. E.g. Corners of rooms and keep away from items which may prevent the free flow of air. Place the unit at least 300mm from and light fitting or decorative object which might obstruct smoke / heat entering the alarm. Keep at least 300mm away from walls. (See 3i Diagram)

### Wall Mounting

Do not mount tight into the corners. Put the top edge of your smoke alarm 300mm below the ceiling. Keep at least 300mm from room corners. (See 3i Diagram)

### On a Sloping Ceiling

In areas with sloping or peaked ceilings install your Smoke Alarm 900mm from the highest point measured horizontally because "dead air" at the apex may prevent smoke from reaching the unit. (See 3ii Diagram)

#### CEILING / WALL JUNCTION

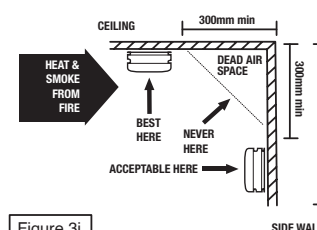


Figure 3i

#### APEX OF SLOPING CEILING

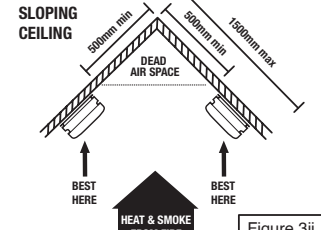


Figure 3ii

### Areas to be avoided include the following:

- Situations where the temperature may fall below 0°C or rise above 45°C
- Humid areas such as bathrooms, kitchens, shower rooms where the relative humidity may exceed 90%
- Near a decorative object, door, light fitting, window moulding etc., that may prevent smoke from entering the alarm.
- Fume filled environments such as garages. Exhaust gases may cause false alarms.
- Adjacent to or directly above hot components such as radiators or wall vents that can affect the direction of air currents.
- In very dusty or dirty environments such as workshops.
- Locate unit at least 1.5m and route wiring at least 1m away from fluorescent light fittings as electrical "noise" and/or flickering may affect the unit.
- Do not locate in insect infested areas. Insects and contamination on the Smoke Alarm unit sensor can increase its response time.

## Hush or Silence Feature

- This smoke alarm has a built-in Hush or Silence feature incorporated into the Test/Hush button.
- If cooking or other non-hazardous sources cause the alarm to sound, it can be temporarily silenced by pressing the Test/Hush button for 3 seconds.
- The alarm then enters a dormant period for 10 minutes. The red LED will flash every 10 seconds to indicate the sensitivity is reduced.
- After the 10 minute dormant period, the alarm will give two short beeps, and the alarm will resume normal operation.

**NOTE:** After the Test/Hush button has been pressed, wait 10 minutes before any additional testing is conducted to avoid any abnormal responses as the smoke alarm is not sensitive to smoke during this period.

**NOTE:** If a nuisance alarm occurs and if there is no sign of smoke, heat or noise to suggest a fire you should get your family to a safe place before investigating. Check the household carefully in case there is a small fire smouldering out of sight, or if there is another source of smoke or fumes such as cooking fumes being drawn past a smoke alarm by an extractor.

**WARNING:** If there are frequent nuisance alarms it may be necessary to re-locate the device away from the source of the fumes. If the alarm continues sounding nuisance alarms without smoke being present; It may require some maintenance or cleaning

**THIS PRODUCT IS A SEALED UNIT AND CANNOT BE REPAIRED – IF THE UNIT IS TAMPED WITH IT WILL INVALIDATE THE WARRANTY. IF THE UNIT IS FAULTY PLEASE RETURN IT TO YOUR ORIGINAL SUPPLIER WITH YOUR PROOF OF PURCHASE.**

## Warranty:

Red smoke alarms have a service life of 10 years under normal use. Australian Standards stipulate that smoke alarms must be replaced when the alarm reaches 10 years of age from the manufacture date. Red Smoke Alarms warrants this product to be free from defects in materials and workmanship for a period of ten (10) years from the manufacture date of the alarm. This ten (10) year warranty applies to the first purchaser only - for subsequent purchasers, the warranty is five (5) years from the manufacture date.

## Operation, Testing and Maintenance

### Operation

Normal Operation when no smoke is present, a red LED indicator will flash ONCE A MINUTE and is an indication that the unit is operating properly.

The hush feature can mute the detector if it has been inadvertently triggered by holding down the test/hush button for a few seconds. The smoke alarm will be muted for 10 minutes and then reset into normal mode after this period.

**NOTE:** If the smoke density increases during the hush period the smoke alarm will be triggered into sounding again.

### Alarm Condition

When the unit detects smoke, the red LED indicator will flash rapidly and alarm will sound loudly until the air is clear.

### Testing the Smoke Alarm

Test the smoke alarm once a week. If the smoke alarm ever fails to test correctly, have it replaced immediately! If the smoke alarm is not working properly, it cannot alert you to a problem.

1. Test each smoke alarm to be sure it is installed correctly and operating properly.
2. The push-to-test button accurately tests functions. DO NOT use an open flame to test this smoke alarm. You may ignite and damage the smoke alarm or your home.
3. Stand at arm's length from the smoke alarm when testing.
4. To test the smoke alarm firmly press the test button, and the alarm will sound a loud beep. The alarm will stop sounding after releasing the test button. If the alarm does not sound please re-test the alarm.

**WARNING:** If the alarm sounds and the smoke alarm is not being tested, the smoke alarm is sensing smoke. The sound of the alarm requires your immediate attention and action.

## Battery:

**Battery replacement is not required and the battery cannot be removed.**

### Low Battery

If the smoke detector emits a short 'beep' once every 40 seconds the battery is at the end of its life and this detector should be replaced immediately. This low voltage warning will be given for at least 30 days.

If the red indicator light (LED) does not flash every 40 seconds then replace the whole smoke alarm unit.

## Maintenance:

The smoke alarm is virtually maintenance free. However, under dusty or greasy conditions, a vacuum cleaner may be used to clean the exterior of unit (including slots on cover). Normally, the alarm can be operated up to 10 years without replacement.

**DO NOT IMMERSE IN OR SPRAY WITH HOUSEHOLD CLEANERS.**

**If the unit gives a chirping sound every 60sec the battery may need to be replaced.**



**RED SMOKE ALARMS PTY. LTD.**  
35 Hitech Drive  
KUNDA PARK QLD 4556  
service@redsmokealarms.com.au  
www.redsmokealarms.com.au  
1300 316 552

Red Smoke Alarms reserves the right to change specifications, modify designs and discontinue items without incurring obligation and whilst every effort is made to ensure that descriptions, specifications and other information in this catalogue are correct, no warranty is given in respect thereof and the company shall not be liable for any error therein.

© Red Smoke Alarms 2023

This material copyright under Australian and international laws. Except as permitted under the relevant law, no part of this work may be reproduced by any process without prior written permission of and acknowledgment to Red Smoke Alarms.

**E&OE  
V 2.0**

