

# Acti9 Changeover Switch

Catalog 2024

Changeover Switch from 25 A to 63 A



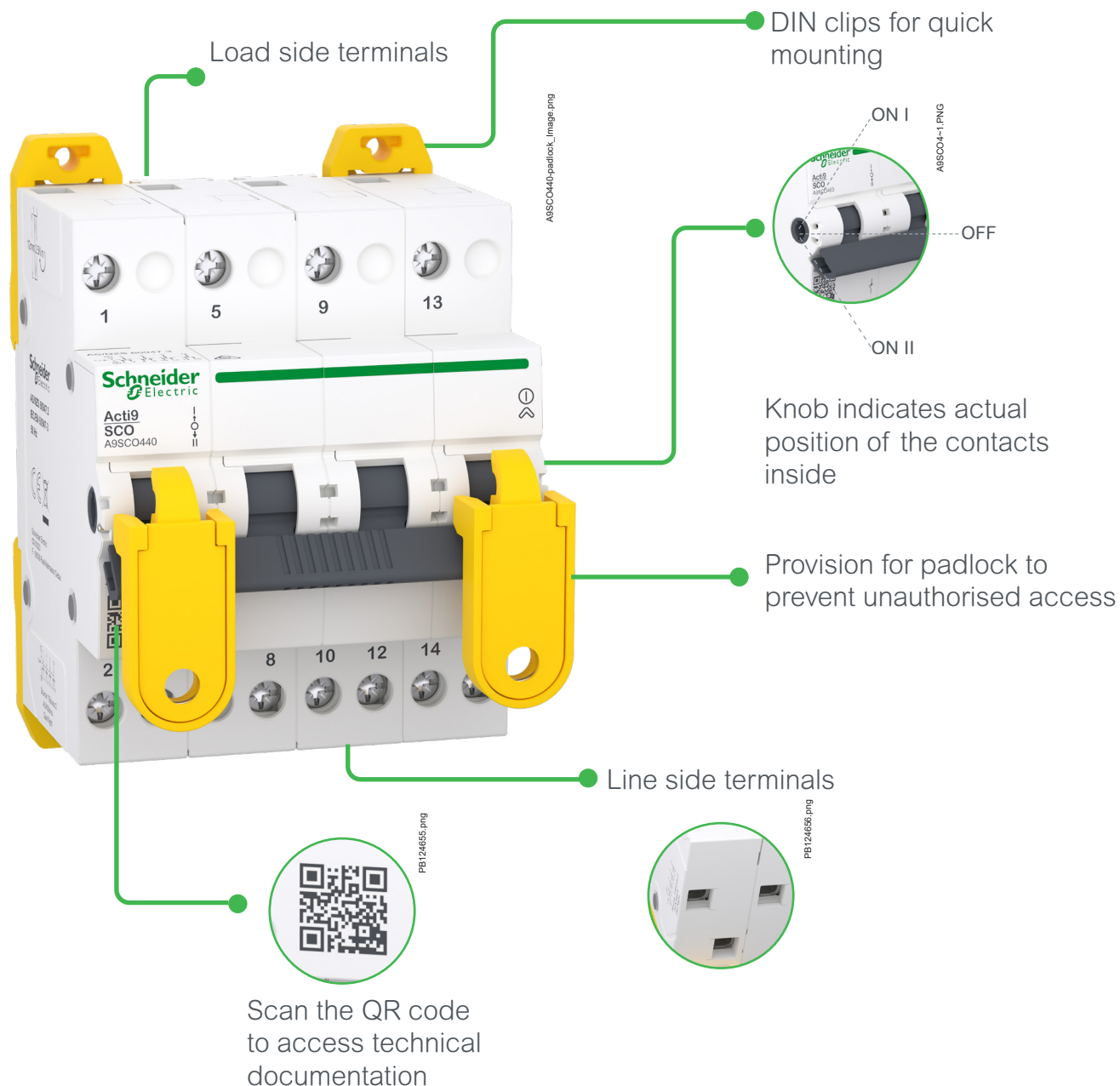
[se.com](https://se.com)

Life Is On

**Schneider**  
Electric

The Acti9 Changeover Switches provide the perfect solution to switch manually between two power supplies or circuits. The Changeover Switch range comprises of 25 A, 40 A and 63 A in 1P, 2P and 4P versions. The Acti9 Changeover Switches are suitable for electrical panels in small and medium buildings.

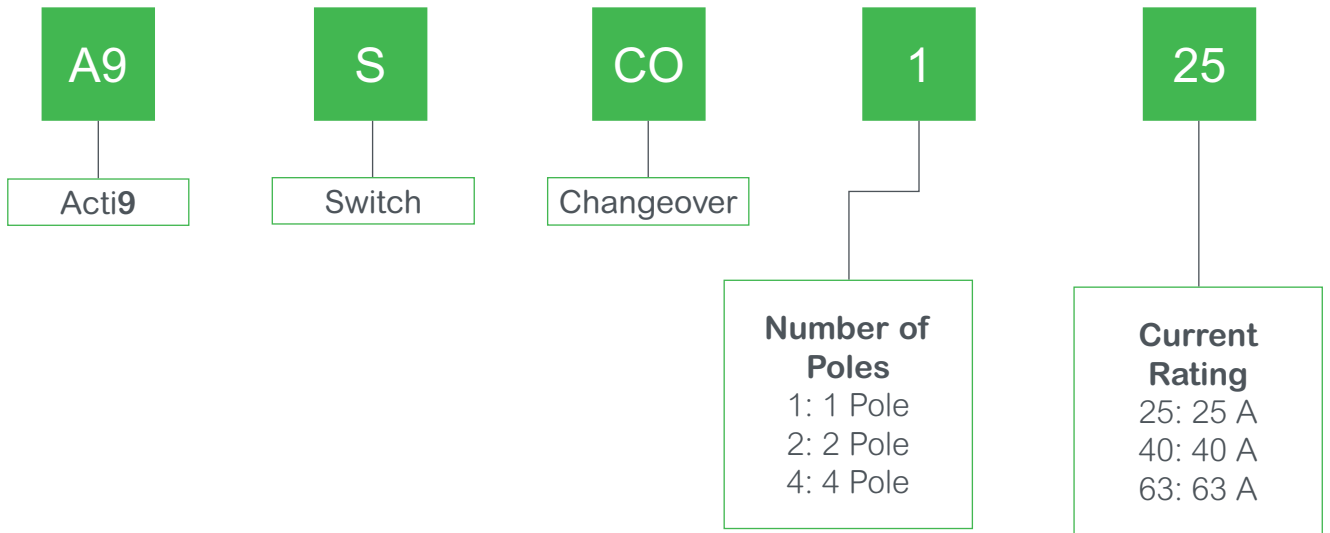
## Main Features



## Range Highlights

- Conforms to **IEC/EN 60947-3** and **AS/NZS 60947.3**
- Available in 3 positions (I-0-II) with Centre OFF position
- Utilization category AC-22 A

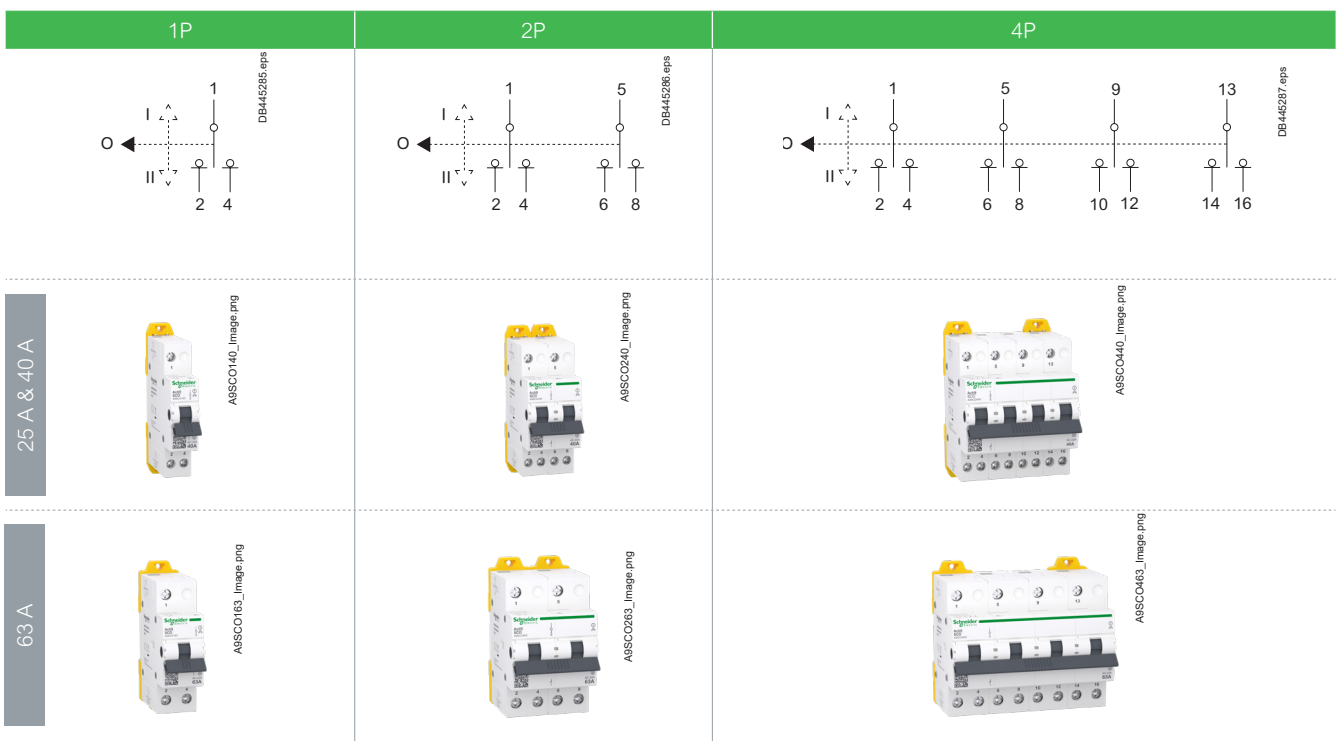
# Naming Conventions



# Product Range Table

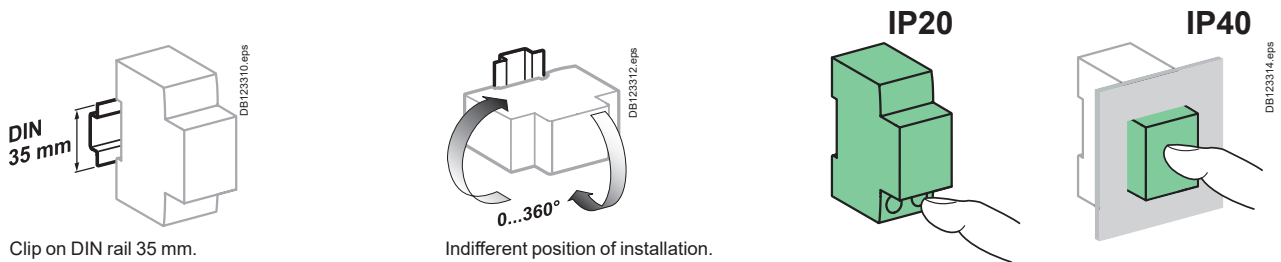
Reference	Description	Pole	Rating	Voltage
A9SCO125	Acti9 iSSW Changeover Switch 1P 25 A I-O-II	1P	25 A	230/240 V AC
A9SCO225	Acti9 iSSW Changeover Switch 2P 25 A I-O-II	2P	25 A	400/415 V AC
A9SCO140	Acti9 iSSW Changeover Switch 1P 40 A I-O-II	1P	40 A	230/240 V AC
A9SCO240	Acti9 iSSW Changeover Switch 2P 40 A I-O-II	2P	40 A	400/415 V AC
A9SCO440	Acti9 iSSW Changeover Switch 4P 40 A I-O-II	4P	40 A	400/415 V AC
A9SCO163	Acti9 iSSW Changeover Switch 1P 63 A I-O-II	1P	63 A	230/240 V AC
A9SCO263	Acti9 iSSW Changeover Switch 2P 63 A I-O-II	2P	63 A	400/415 V AC
A9SCO463	Acti9 iSSW Changeover Switch 4P 63 A I-O-II	4P	63 A	400/415 V AC

# Electrical Circuit Diagram

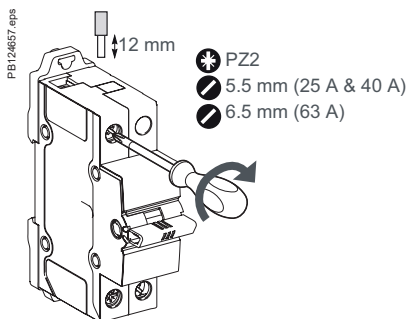


# Technical Specifications

Main characteristics				
Voltage rating (Ue)	230-240/400-415 V			
Insulation voltage (Ui)	690 V			
Operating frequency	50 Hz			
Rated impulse withstand voltage (Uimp)	6 kV			
Permissible rated short-time withstand current (Icw)	20 x In for 1 sec			
Rated short-circuit making (Icm)	20 x In			
Utilization category		A9SCOX25	A9SCOX40	A9SCOX63
	AC 21A/B	25 A	40 A	63 A
	AC 22A/B	25 A	40 A	63 A
	AC 23A/B	25 A	32 A	50 A
Pollution degree	3			
Additional characteristics				
Degree of protection (IEC 60529)	Device only	IP20		
	Device in modular enclosure	IP40		
Endurance (O-C)	Electrical	7,000 cycles		
	Mechanical	10,000 cycles		
Operating temperature	-25...+60 °C			
Storage temperature	-40...+80 °C			

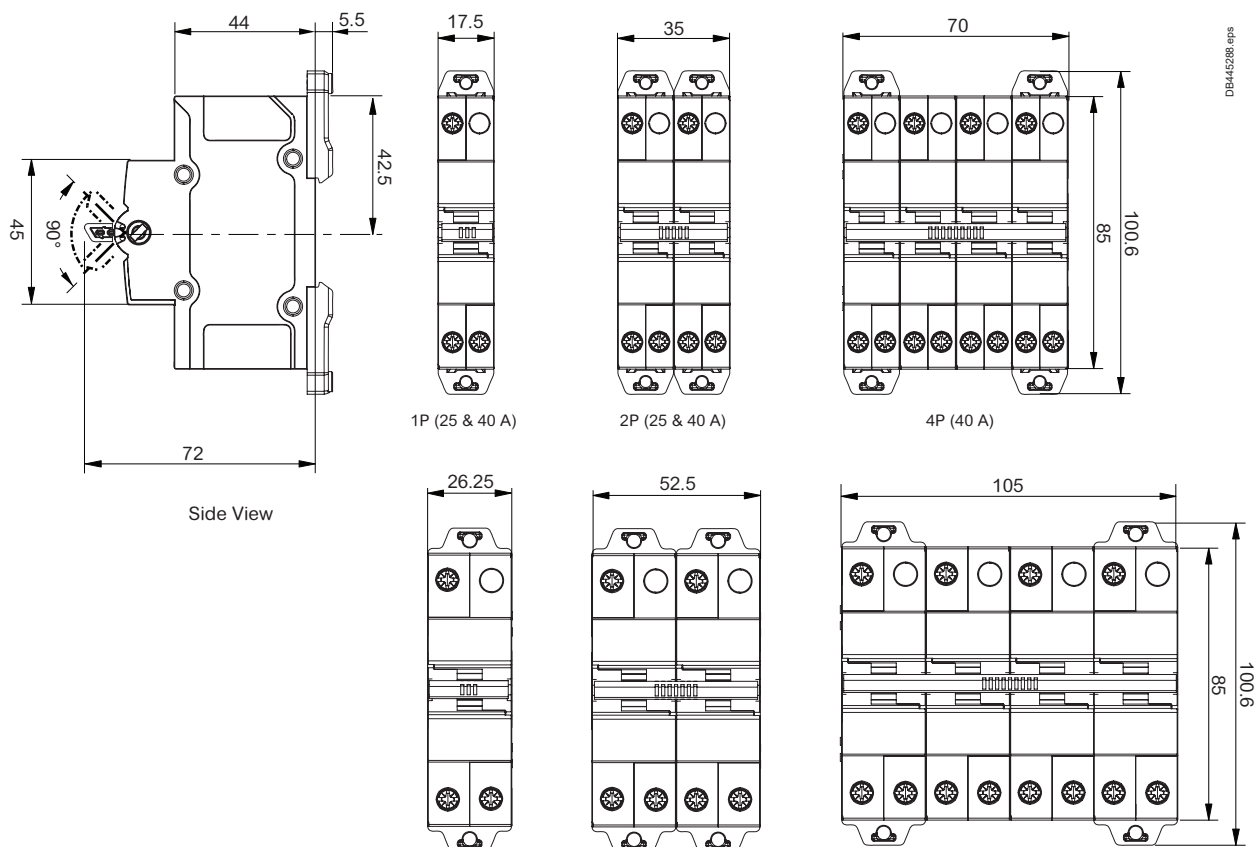


## Connection



Rating	Tightening Torque	Copper Cables	
		Rigid	Flexible or with ferrule
25 A & 40 A	2.5 N.m	1 to 16 mm <sup>2</sup>	1 to 10 mm <sup>2</sup>
63 A	4 N.m	1 to 25 mm <sup>2</sup>	1 to 16 mm <sup>2</sup>

## Dimensions (mm)



DB445280 ept

## Weight (g)

Pole	Rating	Weight (g)
1P	25 A	85
2P	25 A	166
1P	40 A	85
2P	40 A	166
4P	40 A	326
1P	63 A	120
2P	63 A	230
4P	63 A	448

## Accessories



PE124665.png

Type	Reference	Description
Padlocking Device	A9ASCOPL1	Padlocking device, Acti9, for changeover switch, for 18 mm width (1 module), set of 2
	A9ASCOPL2	Padlocking device, Acti9, for changeover switch, for 27 mm width (1.5 module), set of 2



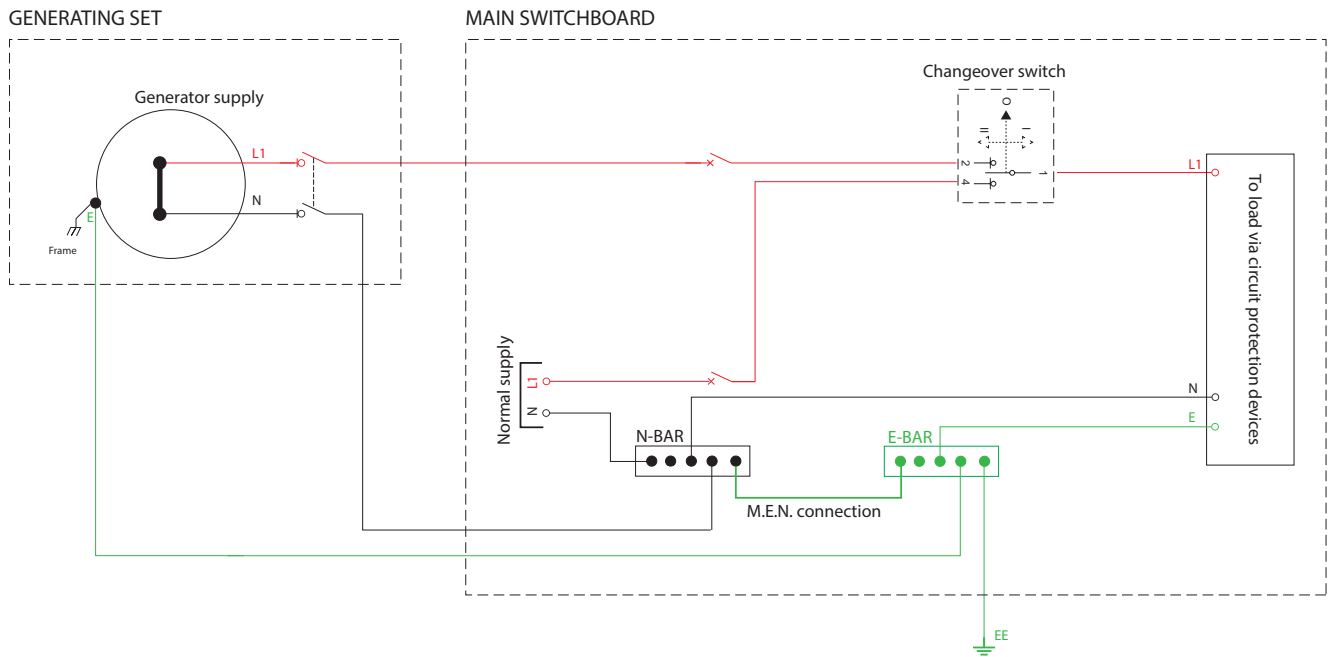
A9SCO440-padlock\_image.png

Lock HASP : Ø3.5mm to Ø5mm

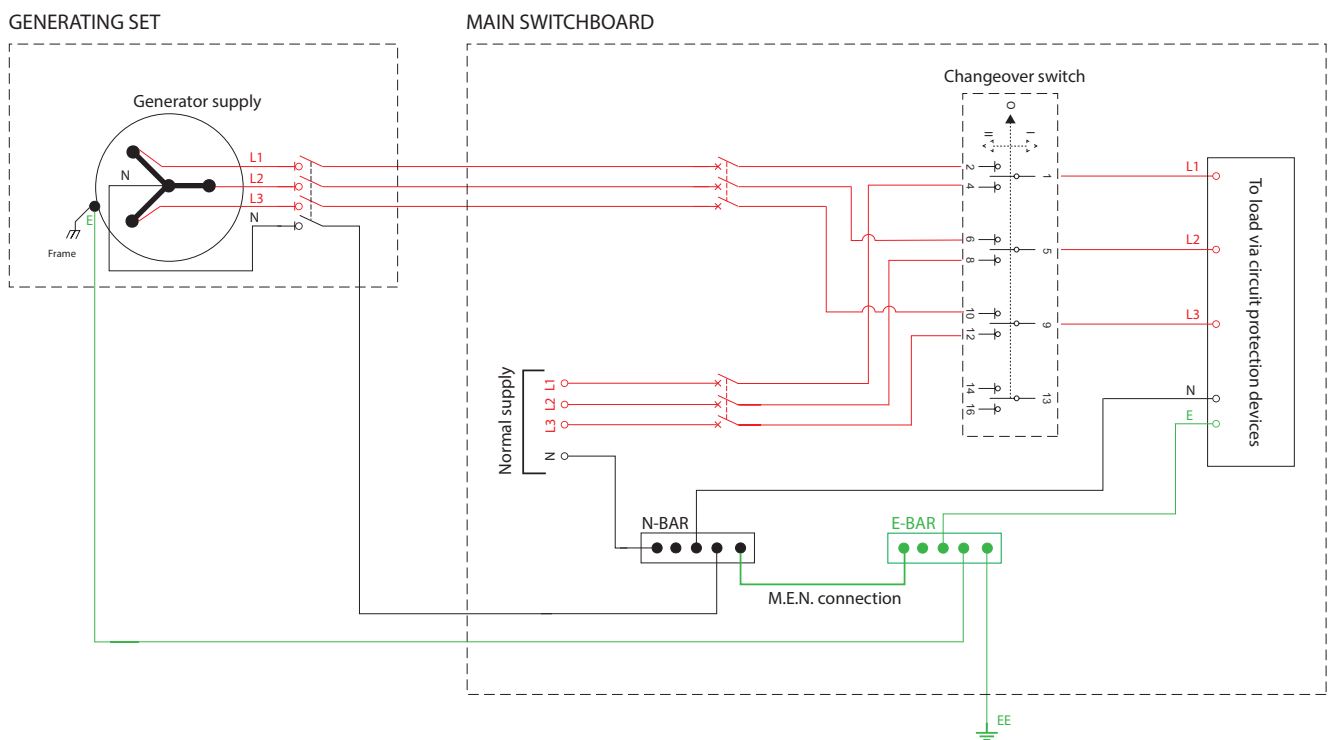
# Main Switch Board Installation Circuit Diagram

Circuit diagram indicating typical location of Changeover Switch in OFF position, on the main switch board with an alternate supply.

## Single Phase Alternate Supply Permanent Connection



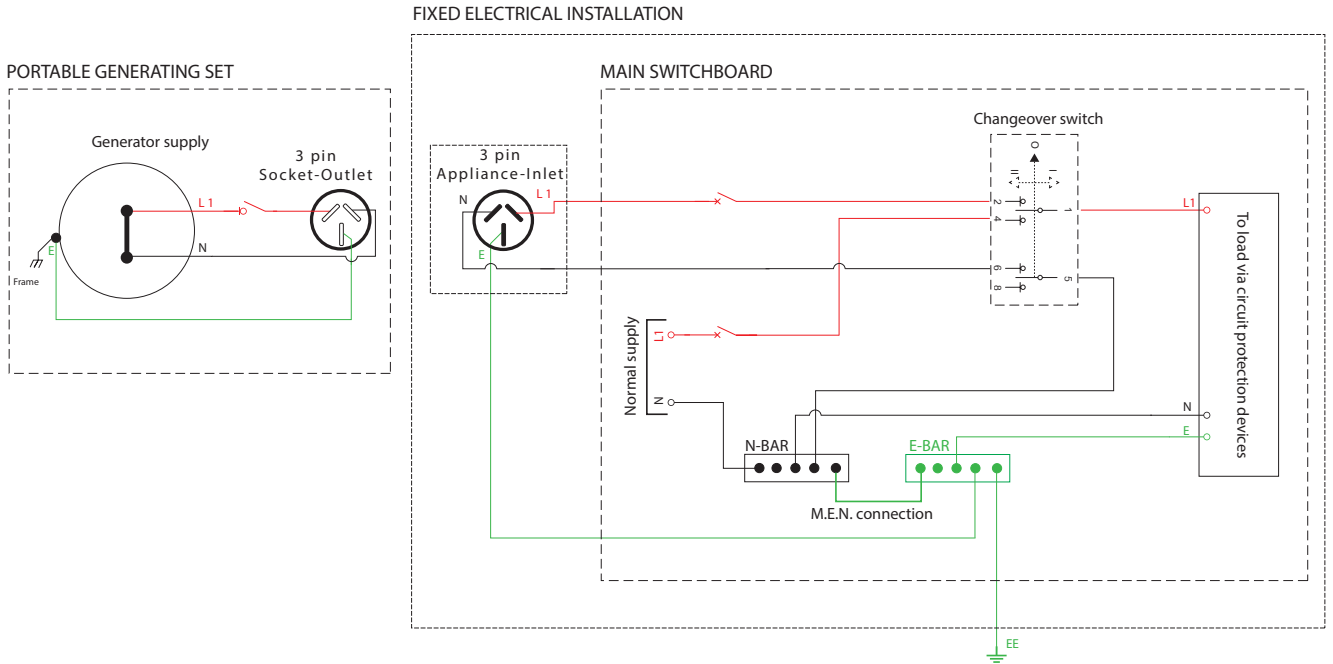
## Three Phase Alternate Supply Permanent Connection



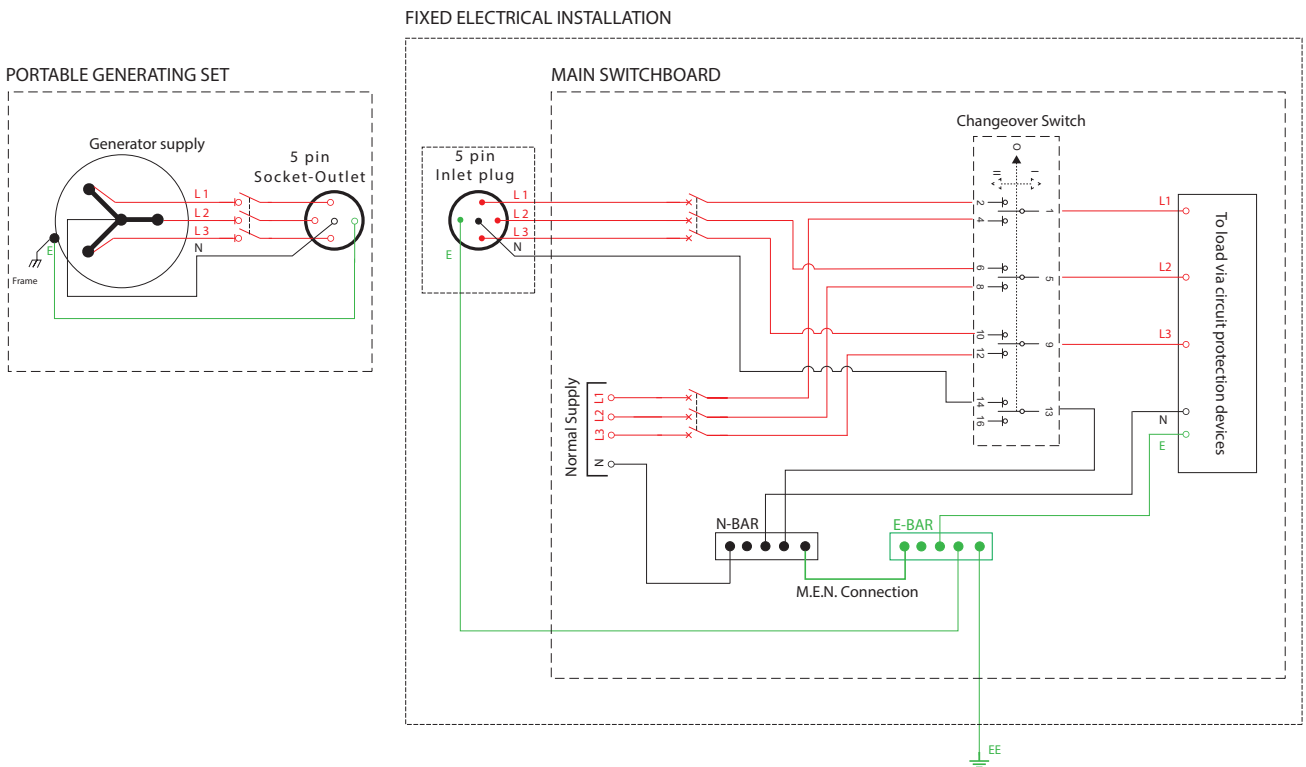
Note:

- These installation circuit diagrams come from AS/NZS 3010:2017 Electrical installations Generating sets & are enforced by AS/NZS 3000:2018 Electrical installations "Wiring Rules".
- Refer to AS/NZS 3000 & AS/NZS 3010 for your specific application.
- When a four pole/four pole changeover device is used in a main switchboard, the normal supply neutral conductor shall not be switched prior to MEN link.
- A four pole/four pole changeover device may be used to connect a generating set at a switchboard without a MEN link fitted (distribution board).

## Single Phase Alternate Supply Connected via Plug and Socket



## Three Phase Alternate Supply Connected via Plug and Socket



Note:

- These installation circuit diagrams come from AS/NZS 3010:2017 Electrical installations Generating sets & are enforced by AS/NZS 3000:2018 Electrical installations "Wiring Rules".
- Refer to AS/NZS 3000 & AS/NZS 3010 for your specific application.
- When a four pole/four pole changeover device is used in a main switchboard, the normal supply neutral conductor shall not be switched prior to MEN link.
- A four pole/four pole changeover device may be used to connect a generating set at a switchboard without a MEN link fitted (distribution board).

# Notes





# Green Premium™

Endorsing eco-friendly products in the industry



Green Premium is the only label that allows you to effectively develop and promote an environmental policy whilst preserving your business efficiency. This ecolabel guarantees compliance with up-to-date environmental regulations, but it does more than this.

Over 75% of Schneider Electric manufactured products have been awarded the Green Premium ecolabel



Discover what we mean by green ...

**Check your products!**

Schneider Electric's Green Premium ecolabel is committed to offering transparency, by disclosing extensive and reliable information related to the environmental impact of its products:

#### RoHS

Schneider Electric products are subject to RoHS requirements at a worldwide level, even for the many products that are not required to comply with the terms of the regulation. Compliance certificates are available for products that fulfil the criteria of this European initiative, which aims to eliminate hazardous substances.

#### REACH

Schneider Electric applies the strict REACH regulation on its products at a worldwide level, and discloses extensive information concerning the presence of SVHC (Substances of Very High Concern) in all of its products.

#### PEP: Product Environmental Profile

Schneider Electric publishes complete set of environmental data, including carbon footprint and energy consumption data for each of the lifecycle phases on all of its products, in compliance with the ISO 14025 PEP ecopassport program. PEP is especially useful for monitoring, controlling, saving energy, and/or reducing carbon emissions.

#### EoLI: End of Life Instructions

Available at the click of a button, these instructions provide:

- Recyclability rates for Schneider Electric products
- Guidance to mitigate personnel hazards during the dismantling of products and before recycling operations
- Parts identification for recycling or for selective treatment, to mitigate environmental hazards/ incompatibility with standard recycling processes

Life Is On



Schneider Electric (Australia) Pty Limited  
33-37 Port Wakefield Road  
Gepps Cross  
South Australia 5094

Customer Care Centre  
Tel: 13 73 28  
Email: [customercare.au@se.com](mailto:customercare.au@se.com)  
[www.se.com](http://www.se.com)

07-2024  
CA904053E

© 2024 - Schneider Electric. All Rights Reserved.  
All trademarks are owned by Schneider Electric Industries SAS or its affiliated companies.

This document has been  
printed on recycled paper

