



ECOSTAR II GIMBAL S9146 - 9W

Dimmable gimbal LED gimbal downlight

Application

Ideal for any residential or commercial interior space

Design Specifications

- Durable die-cast aluminium body profile, 45 degree gimbal
- Stylish white powder coat finish
- High output COB LED chip
- Changeable multi-reflector system, standard 60 degree beam distribution, optional 25 and 40 degree
- Polycarbonate optical lens
- Remote constant current trailing edge dimmable LED driver, with flex and plug

Performance

Dimmable - **YES**

Dimmer Type - **Trailing edge, optional 1-10V, DALI / DSI**



Technical Specification

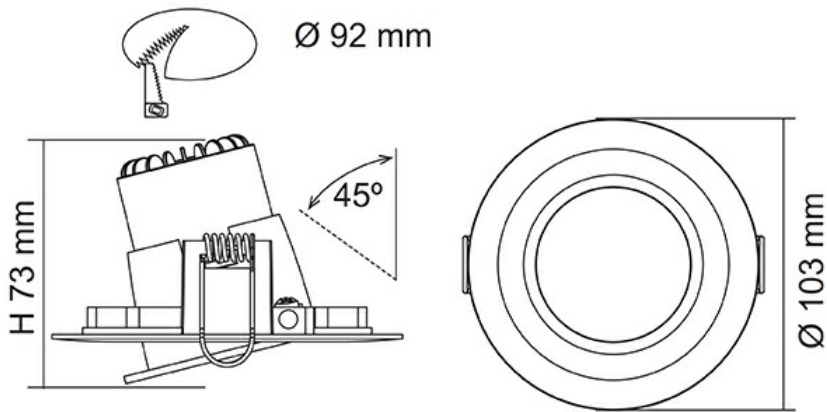
Model No.	Description	Input Voltage (V/AC)	Power (W)	Lumens (lm)	CCT (K)	Beam Angle (°)
S9146WW/WH	LED DOWNLIGHT GIMBLE 3K WH	240	9	700	3000	60
S9146CW/WH	LED DOWNLIGHT GIMBLE 4K WH	240	9	800	4000	60
S9146DL/WH	LED DOWNLIGHT GIMBLE 6K WH	240	9	800	6000	60

Model No.	Dimmable	CRI	Body Colour	Dimensions (mm)
S9146WW/WH	YES	80	WHITE	103(W) x 73(H)
S9146CW/WH	YES	80	WHITE	103(W) x 73(H)
S9146DL/WH	YES	80	WHITE	103(W) x 73(H)

Due to continued product and technology enhancements, data sourced from sal.net.au shall not form part of any contract and or technical performance guarantee unless expressly confirmed in writing by SAL at the time of order. Products are sold in accordance with [SAL Terms and Conditions of sale](#) and all images shown are for illustration purposes only and may vary from the actual colour or finish. Unless specifically stated, all IP ratings nominated for Interior products are from "below the ceiling".

Dimensions

S9146

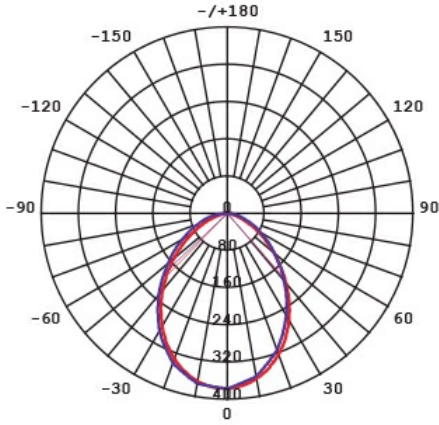




Photometric Data

Unit: cd C0/C180 _____ C90/C270 _____

S9146WW at 3000K



S9146DL at 6000K

