



Energy Division

Brass lugs

BET lugs can be used on any type of conductors (stranded or solid, aluminium or copper). They are especially suitable for the copper neutral or CNE conductors of low voltage service and mains cables. They can also be used on the earth conductors and copper screen wires.

Unlike fittings made from pressed or forged tube, the blocked barrel of these fittings prevents water passing through the palm to the barrel.

Available sizes

- Up to 35mm²
- Up to 60mm²
- From 50 to 120mm²

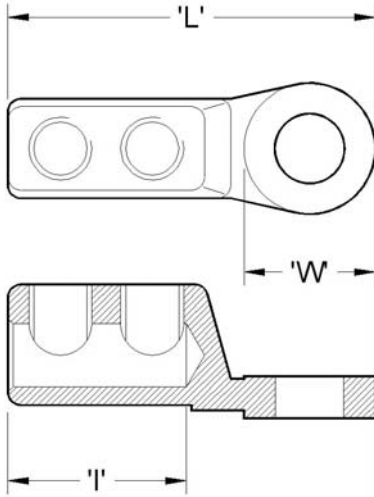
Features

- Low torque, direct acting bolts
- Suitable for copper and aluminium conductors

Standard

- Designed to meet BS4579 and ER C79

DATA SHEET Number: EPP-1728	Date: 01/11/2009 Revision: A
--------------------------------	---------------------------------



Reference	PN	TCPN	Dimensions (mm)			Mount bolt size	Maximum conductor size (mm ²)	Installation tool
			L	I	W			
BET035-08	BAH-024020001	814774-000	55	25	20	M8	35	3mm allen
BET035-10	BAH-024020004	583124-000	55	25	20	M10	35	3mm allen
BET035-12	BAH-024020006	653944-000	55	25	20	M12	35	3mm allen
BET060-10	BAH-024020008	324440-000	70	34	25	M10	60	13mm socket
BET060-12	BAH-024020011	738386-000	70	34	25	M12	60	13mm socket
BET060-16	BAH-024020012	524262-000	70	34	25	M16	60	13mm socket
BET120-10	BAH-024020017	744448-000	86	46	28	M10	120	16mm socket
BET120-12	BAH-024020018	944892-000	86	46	28	M12	120	16mm socket
BET120-16	BAH-024020021	265820-000	86	46	28	M16	120	16mm socket

While Tyco Electronics and its affiliates referenced herein have made every reasonable effort to ensure the accuracy of the information contained in this catalogue, Tyco Electronics cannot assure that this information is error free. For this reason, Tyco Electronics does not make any representation or offer any guarantee that such information is accurate, correct, reliable or current. Tyco Electronics reserves the right to make any adjustments to the information at any time. Tyco Electronics expressly disclaims any implied warranty regarding the information contained herein, including, but not limited to, the implied warranties of merchantability or fitness for a particular purpose. Tyco Electronics' only obligations are those stated in Tyco Electronics' Standard Terms and Conditions of Sale. Tyco Electronics will in no case be liable for any incidental, indirect or consequential damages arising from or in connection with, including, but not limited to, the sale, resale, use or misuse of its products. Users should rely on their own judgement to evaluate the suitability of a product for a certain purpose and test each product for its intended application. TE (logo) and Tyco Electronics are trademarks of the Tyco Electronics group of companies and its licensors.

Energy Division - economical solutions for the electrical power industry: cable accessories, connectors & fittings, electrical equipment, instruments, lighting controls, insulators & insulation enhancement and surge arresters.

Tyco Electronics UK Ltd
 Energy Division
 Freebournes Road
 Witham, Essex CM8 3AH

Phone: +44 (0)870 870 7500
 Fax: +44 (0)870 240 5289
 Email: ukutilities@tycoelectronics.com

<http://energy.tycoelectronics.com>



Our commitment. Your advantage.

DATA SHEET
 Number: EPP-1728
 Date: 01/11/2009
 Revision: A