

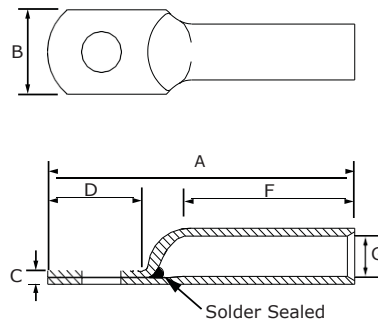


## UTILUX SEALED COPPER CRIMP LUGS



Utilux has engineered the correct combination of material thickness and crimp die selection to ensure that the optimum compression ratios are achieved when crimping. Annealing also ensures that connectors can be crimped without damage and electro tinning minimises corrosion. These features combined with correct

termination procedures will ensure a connection that will perform for many years.



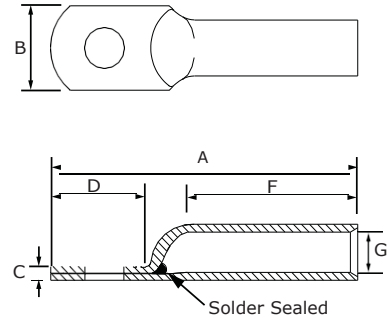
PRODUCT SELECTION INFORMATION										
Catalogue Number	Cond. Area (mm <sup>2</sup> )	Conductor Stranding	Stud Size	Dimensions (mm)						Crimping Die
				A	B	C	D	F	G	
SEG16M6	16	7/1.70	M6	45	11	2.3	20	21	5.5	38-63CU
SEG25M8	25	7/2.14-19/1.35	M8	59	14.7	2.2	19	29	7.1	38-77CU
SEG25M10	25	7/2.14-19/1.35	M10	59	16.7	1.9	19	29	7.1	38-77CU
SEG35M8	35	19/1.53	M8	66	18.2	2.7	19	35	8.4	38-92CU
SEG35M10	35	19/1.53	M10	66	18.2	2.7	19	35	8.4	38-92CU
SEG35M12	35	19/1.53	M12	74	20	2.4	24.5	35	8.4	38-92CU
SEG50M10	50	19/1.78	M10	82	19	3	27	38	9.4	38-104CU
SEG50M12	50	19/1.78	M12	82	20.6	2.8	27	38	9.4	38-104CU
SEG70M10	70	19/2.14	M10	82	20.6	3.2	27	43	11	38-115CU
SEG70M12	70	19/2.14	M12	82	20.6	3.2	27	43	11	38-115CU
SEG70M16	70	19/2.14	M16	91	20.6	3.2	30	50	11	38-115CU
SEG95M10	95	19/2.52	M10	93	25.4	4	27	53	13.4	38-142CU
SEG95M12	95	19/2.52	M12	93	25.4	4	27	53	13.4	38-142CU
SEG95M12X04	95	19/2.52	M12	105	27	4	27	65	13.4	38-142CU
SEG95M12X05	95	19/2.52	M12	98	40	4	40	45	13.4	38-142CU
SEG120M10	120	37/2.03	M10	115	30	4.9	31.8	62	15.5	38-165CU, 40-165CU
SEG120M12	120	37/2.03	M12	115	30	4.9	31.8	62	15.5	38-165CU, 40-165CU
SEG120M16	120	37/2.03	M16	115	30	4.9	31.8	62	15.5	38-165CU, 40-165CU
SEG150M12	150	37/2.25	M12	126	33.5	5.4	41.3	67	16.3	38-183CU, 40-183CU
SEG150M16	150	37/2.25	M16	126	33.5	5.4	41.3	67	16.3	38-183CU, 40-183CU
SEG185M12	185	37/2.52	M12	140	36.5	5.2	41.3	77	18.4	38-200CU, 40-200CU
SEG185M12X03	185	37/2.52	M12	107	36.5	5.2	41.3	45	18.4	38-200CU, 40-200CU
SEG185M16	185	37/2.52	M16	140	36.5	5.2	41.3	77	18.4	38-200CU, 40-200CU
SEG240MB	240	61/2.25	MB	162	41.6	7.1	54	86	21.2	38-231CU, 40-231CU
SEG240M12	240	61/2.25	M12	162	41.6	7.1	54	86	21.2	38-231CU, 40-231CU

Stud size "MB" means blank palm.

## UTILUX SEALED COPPER CRIMP LUGS



Utilux has engineered the correct combination of material thickness and crimp die selection to ensure that the optimum compression ratios are achieved when crimping. Annealing also ensures that connectors can be crimped without damage and electro tinning minimises corrosion. These features combined with correct termination procedures will ensure a connection that will perform for many years.



### PRODUCT SELECTION INFORMATION

Catalogue Number	Cond. Area (mm <sup>2</sup> )	Conductor Stranding	Stud Size	Dimensions (mm)						Crimping Die
				A	B	C	D	F	G	
SEG300MB	300	61/2.52	MB	177	46	7.9	54	95	23.8	38-260CU, 40-260CU
SEG300M12	300	61/2.52	M12	177	46	7.9	54	95	23.8	38-260CU, 40-260CU
SEG300NPM12	300	61/2.52	M12	147	35	7.9	54	65	23.8	38-260CU, 40-260CU
SEG300M16	300	61/2.52	M16	177	46	7.9	54	95	23.8	38-260CU, 40-260CU
SEG400MB	400	61/2.85	MB	179	49.6	8	54	98	26.9	40-281CU, 66-281CU
SEG400M12	400	61/2.85	M12	179	49.6	8	54	98	26.9	40-281CU, 66-281CU
SEG400M16	400	61/2.85	M16	179	49.6	8	54	98	26.9	40-281CU, 66-281CU
SEG500MB	500	61/3.20	MB	188	54.8	8.2	54	98	30	40-310CU, 66-310CU
SEG500M12	500	61/3.20	M12	188	54.8	8.2	54	98	30	40-310CU, 66-310CU
SEG500M16	500	61/3.20	M16	188	54.8	8.2	54	98	30	40-310CU, 66-310CU
SEG500M20	500	61/3.20	M20	188	54.8	8.2	54	98	30	40-310CU, 66-310CU
SEG630MB	630	127/2.52	MB	190	65	11.5	54	98	33.5	40-370CU
SEG630M12X01	630	127/2.52	M12	190	65	11.5	54	98	33.5	40-370CU
SEG630M20	630	127/2.52	M20	190	65	11.5	54	98	33.5	40-370CU

Stud size "MB" means blank palm.

©2016 TE Connectivity Ltd. family of companies. All Rights Reserved. EPP-2487-DDS4-AU-3/16

Utilux, TE Connectivity and TE Connectivity (logo) are trademarks. Other logos, product and/or company names might be trademarks of their respective owners. While TE has made every reasonable effort to ensure the accuracy of the information in this brochure, TE does not guarantee that it is error-free, nor does TE make any other representation, warranty or guarantee that the information is accurate, correct, reliable or current. TE reserves the right to make any adjustments to the information contained herein at any time without notice. TE expressly disclaims all implied warranties regarding the information contained herein, including, but not limited to, any implied warranties of merchantability or fitness for a particular purpose. The dimensions in this catalog are for reference purposes only and are subject to change without notice. Specifications are subject to change without notice. Consult TE for the latest dimensions and design specifications.